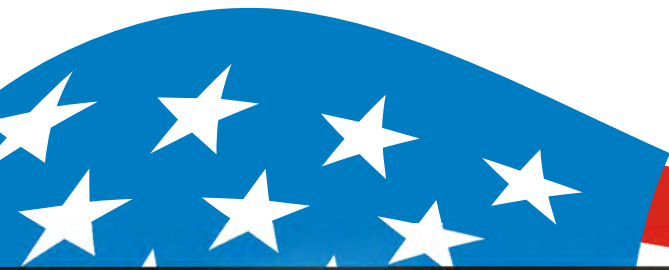















RuB, Inc.

PRODUCTS **C**ATALOGUE



APPROVALS

	Deutsche Vereinigung des Gas und Wasserfaches e.V. Technisch-wissenschaftlicher Verein	
	Schweizerischer Verein des Gas und Wasserfaches	
	Water Regulation Advisory Scheme	
	BG Technology Certification Services	
	Swedcert AB	
	ETA Danmark - DS Certificering A/S	
	Danish Governmental Gas Institute	
	Sintef Byggforsk	
	Valtion Teknillinen Tutkimuskeskus	
	Underwriter Laboratories Inc.	
	CSA International	
	Factory Mutual Research Corporation	
	Underwriter Laboratories Inc.	
	CSA International	
	Japan L.P. Gas Appliances Inspection Association	
	The Australian Gas Association	
	Система сертификации ГОСТ Р. Госстандарт России.	
	Федеральная служба по надзору в сфере защиты прав потребителей и благополучия человека.	
	Public Utilities Board	
	Suruhanjaya Tenaga	

**Quality is the result of combining
several focused initiatives, all
with one common goal,
that being **TOTAL**
CUSTOMER SATISFACTION**



THE QUALITY

There are several possible ways to work towards Total Customer Satisfaction. RuB has pursued, not the most expedient way, but the most reliable!

We could have chosen any inexpensive rubber stamp certification and the result would have been an official piece of paper. However, based on our corporate motto "Meeting Standards is our Standard", we decided to go with the best: Lloyd's ISO 9001 certification process is a rigorous one and passing its audits is the most reliable indicator of quality products.

Lloyd's certification logo is the benchmark quality standard around the globe.



RuB's quality procedures utilize the most innovative yet time tested technology available including computerized inspection creating the database for immediate monitoring of production, for several statistical analysis and machine capability surveillance.

Product identification is also highly regarded using dedicated bar-coding tools, FIFO and avoiding manual entries to ensure efficiency.

To us quality also means providing maximum information, communication and cooperation from our professional team of experts.

RuB is steadily growing and improving at all levels. Join us and you will earn a reliable partner.



RUBINETTERIE UTENSILERIE BONOMI

Philosophy! It's incredible how important this word is. The things you do and the way you do them, depend on your philosophy. Philosophy leads decisions that make your future

THE HISTORY



When you decide to purchase a valve, your philosophy will lead you to choose RuB, because **RuB meets the standards**, makes quality and makes the difference. RuB specializes in brass ball valves and delivers highest quality for any application.

Our philosophy leads us to believe in technology, automation, quality, tradition, personal relationship, competition, and makes RuB growing step by step on small daily thoughts put together with enthusiasm. Automation is a password we often use: to make a first class valve, RuB uses high-tech machinery serving qualified people.

Audit us and realize the meaning of having the right people in the right place at the right time. This, and more, is all it takes to make one of the millions valves leaving our plant every year: **the valve you deserve.**

Historically the company started in the nineteenth century, but the present RuB organization was **started in 1955** making brass OEM parts for the Italian market. Years later, our company began its export activity and started production of ball valves.

Mr. Silvio Bonomi, President, has financed the development of the company and continues to manage daily operations.

Mr. Luciano Bonomi is the engineer of the family and takes care of the production organization and development of new projects; also, he administrates contacts with German and French customers.

Mr. Sandro Bonomi is in charge of administration, marketing and sales to English speaking customers; he studied accounting.



Experience and quality philosophy brought RuB to offer a verified Quality Assurance package.

The RuB organization has received ISO9001 approval by the worldwide known Lloyd's Register; additionally our products obtained a number of specific approvals.



THE TECHNOLOGY

A computerized Quality Assurance System monitors production and inward material, in accordance with Quality Assurance Handbook, Procedures and Specifications.

X bar and R charts, for inspection of machine capability, are used constantly, and several inspections on products, processes and projects, assure top quality is delivered to the field: inward, machining and assembly operations are severely checked; among the control equipment used in the plant, auditors can see calipers and gauges for dimensions, roughness and hardness measures, stereoscope, couloscope, contour projectors.

All instruments for Quality Assurance are put in an isolated purpose-built metrological room which guarantees constancy of measurements. Material and machining certificates are available.

Zero leakage is guaranteed by 100% seal test performed for a minimum of 24 hours on each single valve using the unique RuB double test method. RuB valves have been designed with long life and reliability criteria.

Our literature describes features, specifications and options available for each product.

Focus on quality together with continuous investments in new machinery, equipment and automation allow RuB to supply also other manufacturers; our company is well reputed for fine quality, good service and competitive prices.

Nowadays 98% of the production is exported to the most industrialized countries in the world; we are confident our company can supply the best quality/price ratio available in the market and would be honored if you would test us.

An audit at the plant would be an excellent opportunity to supply additional information, and to reply to your questions and inquiries.

RuB range includes several standard and full port, heavy duty and low pressure two way brass ball valves suitable for many applications as gas, water, steam, sewage, oil, petrol, compressed air, paint, etc., plus 90° angle valves, radiator valves, 3-way ball valves, gate valves and check valves.

The range includes BSPP parallel, BSPT taper, ISO and NPT Female by Female, Male by Female and Male by Male threads, union ends, sweat ends, flare ends, side drain, sizes from 1/8" through 4", many options interchangeable among most lines and new projects are always under evaluation. Silicone-free lubricant is used in all valves and no ozone depleting substances are used. In addition to the standard valves, RuB offers its organization for construction of special customized brass products.

Why should you choose RuB rather than any other valve manufacturer in the market? Because RuB's management is quality oriented, 'cause RuB is an organization which always assist you, 'cause RuB is a focused factory, 'cause the size of the organization allows for flexibility, 'cause we supply the performance you deserve and 'cause...

MEETING STANDARDS IS OUR STANDARD





RUBINETTERIE UTENSILERIE BONOMI



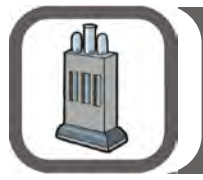
GAS



PLUMBING



WATER



INDUSTRY



PNEUMATIC

PRODUCTS RANGE

GAS

- 1.1 S.95 NPT Full Port ball valves
- 1.1b S.95 NPT Nickel plated Full Port ball valves
- 1.2 S.82 NPT Side Drain Full Port ball valves
- 1.3 S. 92 NPT Full port ball valves
- 1.4 S.80 NPTGas Cock Full Port ball valves
- 1.5 S.8042 NPT Full Port ball valves
- 1.6 S.8043 NPT Dielectric Full Port
- 1.7 S.195 NPT+FLARE gas cock
- 1.8 S.195 FLARE+SOLDER END
- 1.10 S.80 SurePass

PLUMBING

- 2.1 S.42 solder ends full port ball valves
- 2.3 S.90 NPT Economy Full Port ball valves
- 2.4 S.22 Union / solder ends full port ball valves
- 2.6 S.71 NPT Standard Port ball valves
- 2.7 S.40 Solder ends standard port ball valves
- 2.9 S.112 NPT gate valves
- 2.10 S.114 NPT Heavy pattern gate valves
- 2.11 S.115 Sweat end heavy pattern gate valves
- 2.12 S.6094 NPT Square head
- 2.13 S.55 NPT Cap & strap

WATER SUPPLY

- 3.1 Puri-T 95 NPT Full Port ball valves
- 3.2 Puri-T 92 NPT Full Port ball valves
- 3.3 Puri-T 292 NPT Full Port ball valves
- 3.4 Puri-T 42 Solder ends full port ball valves
- 3.5 Puri-T 242 Solder ends full port ball valves
- 3.7 Puri-T 6439 NPT Actuator mounting
- 3.8 Puri-T 6441 NPT Actuator mounting
- 3.9 Puri-T 35 NPT Mini drawn ball valves

INDUSTRIAL

- 4.1 S.6439 NPT Actuator mounting ball valves
- 4.2 S.6440 NPT Actuator mounting ball valves
- 4.3 S.6441 NPT Actuator mounting ball valves
- 4.4 S.6439LT NPT Actuator mounting ball valves
- 4.5 S.6441LT NPT Actuator mounting ball valves
- 4.6 EA Pneumatic Actuator
- 4.7 S.130 NPT STAINLESS STEEL Full Port
- 4.8 S.131 NPT STAINLESS STEEL Standard port
- 4.9 S.132 NPT STAINLESS STEEL Full Port
- 4.10 S.134 actuatable Stainless Steel Full Port
- 4.11 Instrumentation Package
- 4.12 SNI7352 NEEDLE VALVE
- 4.13 S7441 NPT 3-way diverting
- 4.14 S.95 NPT spring return
- 4.15 Compact Power Actuator

PNEUMATIC

- 5.1 S.93 NPT Full Port exhaust ball valves
- 5.2 S.35 NPT mini drawn ball valves
- 5.3 S.34 NPT mini drawn ball valves
- 5.4 s.35 K Panel Mount kit

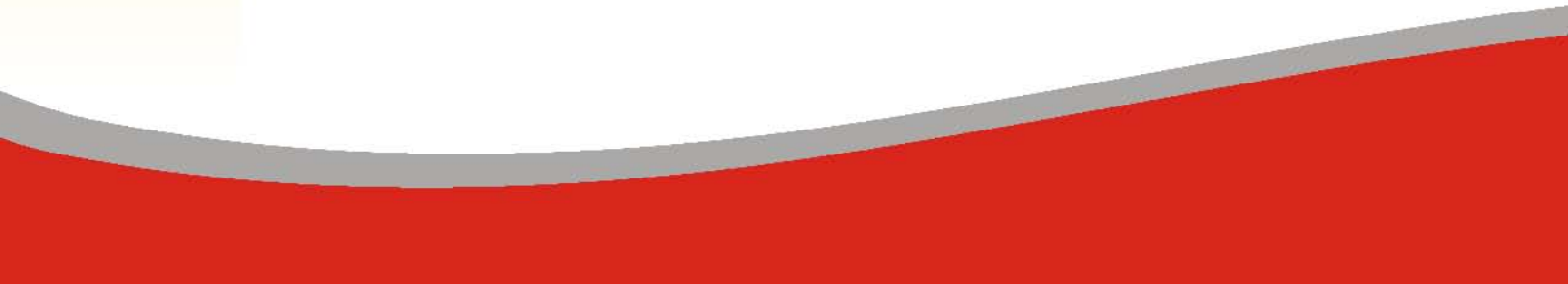
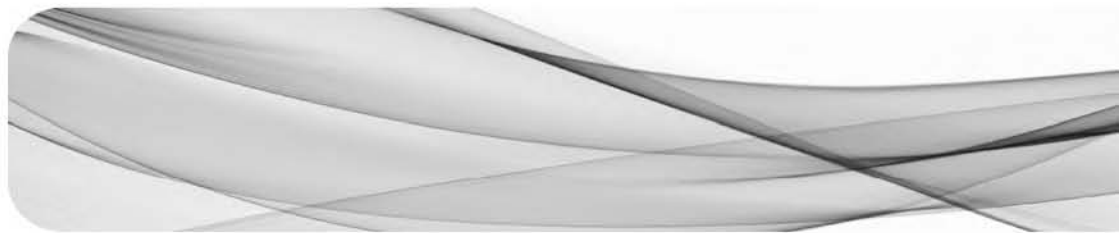
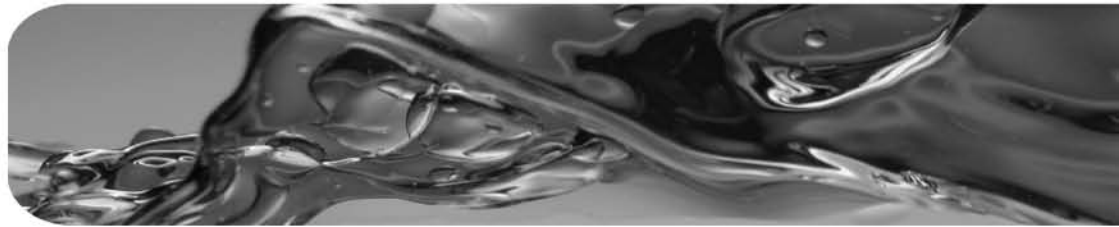
OPTIONS

- 6.1 Lockable Handle For most RuB ball valves
- 6.2 Oval Lockable Handle to RuB forged valves
- 6.3 Stem Extension For most RuB ball valves



GAS





s.95 NPT Full Port 1/4" - 4" hot forged brass ball valves



Features and Specifications:

- Hot forged sand blasted, unplated brass body and cap sealed with Loctite or equivalent thread sealant
- Approved by CSA International, Underwriters Laboratories (UL), Canadian Underwriters Laboratories (cUL), Factory Mutual (FM), and meeting WW-V-35C Federal U.S. Specification, Suruhanjaya Tenaga (MY), GOST-R (RU), Hygenic (RU), ROSTEKHNADZOR, (RU), UkrSepro (U)
- Certified by CSA International, the widely recognized and respected independent certification organization for public health safety
- Finest brass according to EN 12165 and EN 12164 (formerly DIN 17660 and UNI 5705-65) specifications
- Full port to DIN 3357 for maximum flow
- 24h 100% seal test guaranteed
- Pure PTFE self-lubricating seats with flexible-lip design
- Dual sealing system allows valve to be operated in either direction making installation easier
- Chrome plated brass ball for longer life
- No metal-to-metal moving parts
- Blowout-proof nickel plated brass stem
- Two FPM O-rings at the stem for maximum safety
- No maintenance ever required
- Handle stops on body to avoid stresses at stem
- Handle removable with valve in service
- Geomet® carbon steel handle with thick PVC dip coating,
- Handle clearly shows ball position
- NPT taper ANSI B.1.20.1 Female by Female threads
- Silicone-free lubricant on all seals
- 600 PSI up to 2", 450 PSI over 2", non-shock cold working pressure
- Range: -40°F +350°F temperature (Warning: freezing of the fluid in the installation may severely damage the valve)

rated sizes 1/4" through 1"



Options up to 2":

- Stem extension
- Oval lockable handle up to 2", round over 2"
- T-handle
- AISI 430 stainless steel handle
- Patented locking device for valves up to 4"

Upon request:

- AISI 316 stainless steel ball and/or stem,
- Glass Filled PTFE seals,
- Custom design.

Approved By:



Drinking Water
NSF/ANSI 61



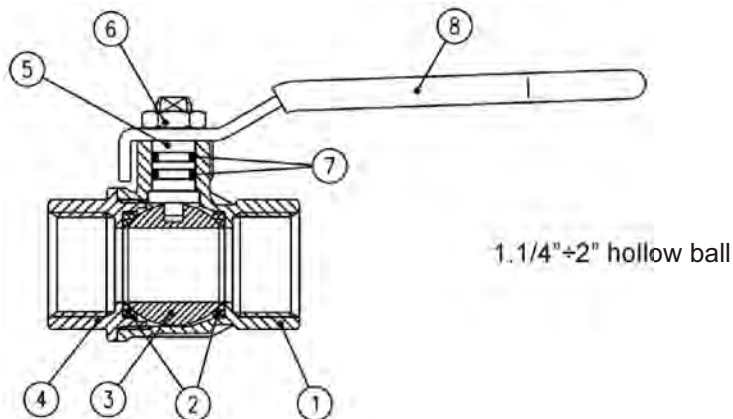
NOTE: Approvals apply to specific configurations/sizes only.



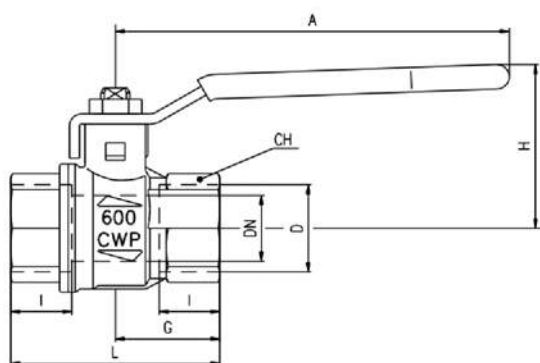
s.95 NPT Full Port 1/4" - 4" hot forged brass ball valves



Technical Specifications:



PART DESCRIPTION		Q.ty	Material
1	Unplated NPT body	1	CW617N
2	Seat	2	Ptfe
3	Chrome plated ball	1	CW617N
4	Unplated NPT end cap	1	CW617N
5	Nickel plated stem O-ring design	1	CW617N
6	Geomet® nut	1	CB4FF
7	O-ring	2	FPM
8	Yellow PVC coated geomet® steel handle	1	DD11

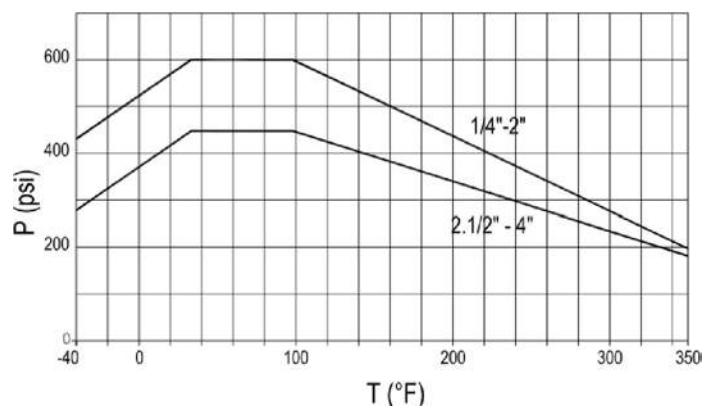


Code	S95B41	S95C41	S95D41	S95E41	S95F41	S95G41	S95H41	S95I41	S95L41	S95M41	S95N41
D (inch)	1/4	3/8	1/2	3/4	1	1 1/4	1 1/2	2	2 1/2	3	4
DN (inch)	0.314	0.393	0.590	0.787	0.984	1.259	1.574	1.968	2.559	3.149	3.937
I (inch)	0.472	0.472	0.610	0.669	0.826	0.905	0.905	1.043	1.260	1.377	1.633
L (inch)	1.771	1.771	2.322	2.519	3.188	3.661	4.015	4.763	6.141	6.968	8.504
G (inch)	0.885	0.885	1.161	1.259	1.594	1.830	2.007	2.381	3.070	3.484	4.252
A (inch)	3.228	3.228	3.937	4.724	4.724	6.220	6.220	6.220	10.039	10.039	10.039
H (inch)	1.563	1.563	1.695	1.988	2.153	2.988	3.236	3.500	5.196	5.511	6.062
CH (inch)	0.787	0.787	0.984	1.220	1.574	1.929	2.125	2.696	3.346	3.897	4.921

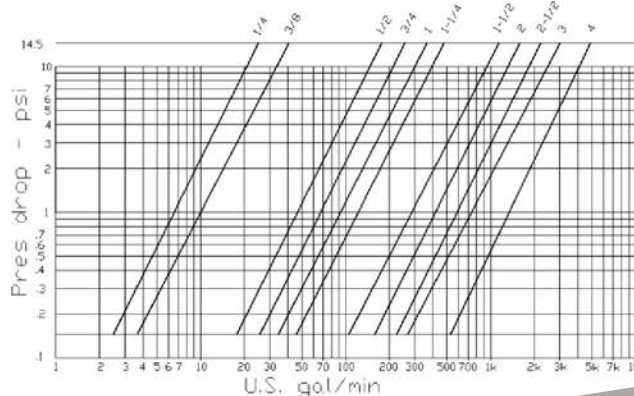
DN shows the nominal flow diameter.
Actual flow diameter complies with full port DIN 3357 part 4.
Stem configuration of valves over 2" is slightly different.
Ask for details at our Service Center.

Ask for additional information on the whole range of RuB valves
and consult with your supplier for special applications.

Pressure - Temperature Chart



Pressure Drop Chart




s.95 NPT nickel plated Full Port 1/4" - 4" hot forged brass ball valves



Features and Specifications:

- Hot forged sand blasted, nickel plated brass body and cap sealed with Loctite or equivalent thread sealant
- Approved by CSA International, Underwriters Laboratories (UL), Canadian Underwriters Laboratories (cUL), Factory Mutual (FM), and meeting WW-V-35C Federal U.S. Specification, Suruhanjaya Tenaga (MY), GOST-R (RU), Hygenic (RU), ROSTEKHNADZOR, (RU), UkrSepro (U)
- Certified by CSA International, the widely recognized and respected independent certification organization for public health safety
- Finest brass according to EN 12165 and EN 12164 (formerly DIN 17660 and UNI 5705-65) specifications
- Full port to DIN 3357 for maximum flow
- 24h 100% seal test guaranteed
- Pure PTFE self-lubricating seats with flexible-lip design
- Dual sealing system allows valve to be operated in either direction making installation easier
- Chrome plated brass ball for longer life
- No metal-to-metal moving parts
- Blowout-proof nickel plated brass stem
- Two FPM O-rings at the stem for maximum safety
- No maintenance ever required
- Handle stops on body to avoid stresses at stem
- Handle removable with valve in service
- Geomet® carbon steel handle with thick PVC dip coating,
- Handle clearly shows ball position
- NPT taper ANSI B.1.20.1 Female by Female threads
- Silicone-free lubricant on all seals
- 600 PSI up to 2", 450 PSI over 2", non-shock cold working pressure
- Range: -40°F +350°F temperature (Warning: freezing of the fluid in the installation may severely damage the valve)

 rated sizes 1/4" through 1"



Options up to 2":

- Stem extension
- Oval lockable handle up to 2", round over 2"
- T-handle
- AISI 430 stainless steel handle
- Patented locking device for valves up to 4"

Upon request:

- AISI 316 stainless steel ball and/or stem,
- Glass Filled PTFE seals,
- Custom design.

Approved By:



NOTE: Approvals apply to specific configurations/sizes only.



Drinking Water
NSF/ANSI 61

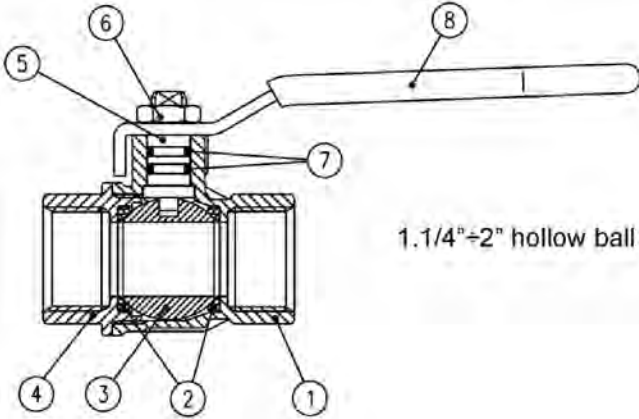
 RUB, INC.



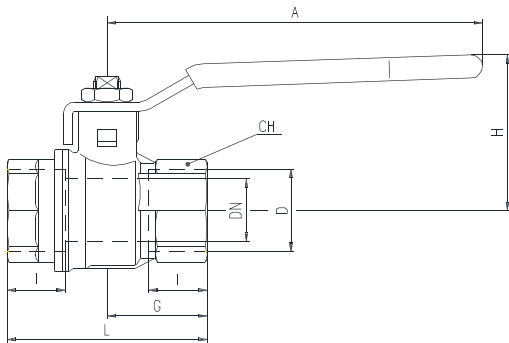
s.95 NPT nickel plated Full Port 1/4" - 4" hot forged brass ball valves



Technical Specifications:



PART DESCRIPTION		Q.ty	Material
1	Unplated NPT body	1	CW617N
2	Seat	2	Ptfe
3	Chrome plated ball	1	CW617N
4	Unplated NPT end cap	1	CW617N
5	Nickel plated stem O-ring design	1	CW617N
6	Geomet® nut	1	CB4FF
7	O-ring	2	FPM
8	Yellow PVC coated geomet® steel handle	1	DD11

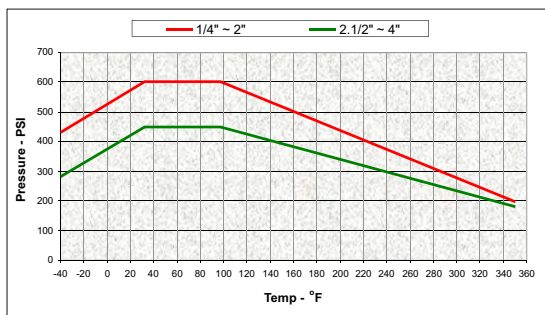


Code	S95B41N	S95C41N	S95D41N	S95E41N	S95F41N	S95G41N	S95H41N	S95I41N	S95L41N	S95M41N	S95N41N
D (inch)	1/4	3/8	1/2	3/4	1	1 1/4	1 1/2	2	2 1/2	3	4
DN (inch)	0.315	0.394	0.590	0.787	0.984	1.260	1.575	1.968	2.559	3.150	3.937
I (inch)	0.472	0.472	0.610	0.669	0.826	0.905	0.905	1.043	1.260	1.377	1.633
L (inch)	1.771	1.771	2.322	2.519	3.188	3.661	4.015	4.763	6.141	6.968	8.504
G (inch)	0.885	0.885	1.161	1.259	1.594	1.830	2.007	2.381	3.070	3.484	4.252
A (inch)	3.228	3.228	3.937	4.724	4.724	6.220	6.220	6.220	10.039	10.039	10.039
H (inch)	1.496	1.496	1.693	1.968	2.126	2.874	3.110	3.386	5.197	5.512	6.063
CH (inch)	0.787	0.787	0.984	1.220	1.574	1.929	2.125	2.696	3.346	3.897	4.921

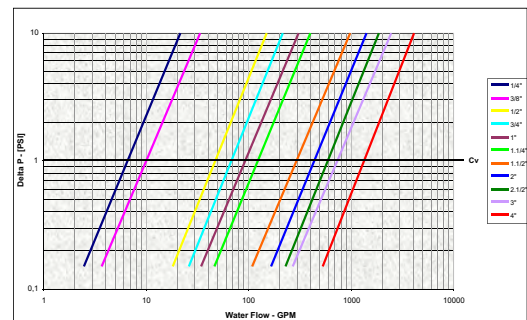
DN shows the nominal flow diameter.
Actual flow diameter complies with full port DIN 3357 part 4.
Stem configuration of valves over 2" is slightly different.
Ask for details at our Service Center.

Ask for additional information on the whole range of RUB valves
and consult with your supplier for special applications.

Pressure - Temperature Chart



Pressure Drop Chart



s.82 NPT side drain Full Port 1/2" - 2" hot forged brass ball valves



Features and Specifications:

- Hot forged sand blasted, unplated brass body and cap sealed with Loctite or equivalent thread sealant
- Approved by CSA International, Underwriters Laboratories (UL), Canadian Underwriters Laboratories (cUL), GOST-R (RU), Hygenic (RU), ROSTEKHNADZOR (RU), UkrSepro (U)
- Certified by CSA International, the widely recognized and respected independent certification organization for public health safety
- Finest brass according to EN 12165 and EN 12164 (formerly DIN 17660 and UNI 5705-65) specifications
- Full port to DIN 3357 for maximum flow
- 24h 100% seal test guaranteed
- Pure PTFE self-lubricating seats with flexible-lip design
- Dual sealing system allows valve to be operated in either direction making installation easier
- Side drain allows easy and safe downstream line venting
- Chrome plated brass ball for longer life
- No metal-to-metal moving parts
- Blowout-proof nickel plated brass stem
- Two FPM O-rings at the stem for maximum safety
- No maintenance ever required
- Handle stops on body to avoid stresses at stem
- Handle removable with valve in service
- Geomet® carbon steel handle with thick PVC dip coating
- Handle clearly shows ball position
- NPT taper ANSI B.1.20.1 Female by Female threads
- 1/4" NPT side tap
- Silicone-free lubricant on all seals
- 600 PSI non-shock cold working pressure
- Range: -40°F +350°F temperature (Warning: freezing of the fluid in the



Your pipeline has been installed and running, but sometime you need to have access to the fluid or need to get fluid out. The new RuB s.82 side drain range of brass ball valves, allows easy access to the inside of the pipeline for a multitude of purposes:

- drain the downstream or the whole line
- apply thermal or flow sensors
- apply pressure gauges
- divert the fluid to a new stream

All of this and more is now easy and quick with the s.82 RuB range which comes with the usual wide handle options and various accessories. CSA and UL ratings also available.

Options:

- Stem extension
- Oval lockable handle
- T-handle
- AISI 430 stainless steel handle
- Patented locking device

Upon request:

- AISI 316 stainless steel ball and/or stem
- Glass filled PTFE seals
- Custom design

Approved By:



NOTE: Approvals apply to specific configurations/sizes only.



Drinking Water
NSF/ANSI 61

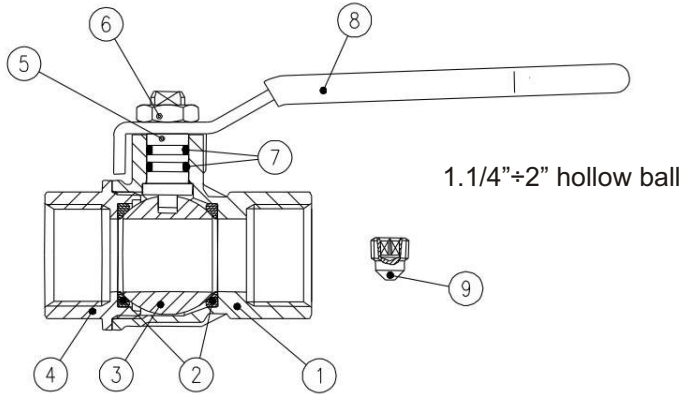
RUB, INC.



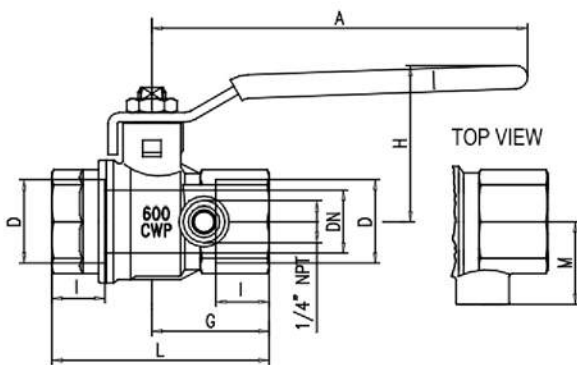
s.82 NPT side drain Full Port 1/2" - 2" hot forged brass ball valves



Technical Specifications:



PART DESCRIPTION	Q.ty	Material
1 Unplated NPT body	1	CW617N
2 Seat	2	Ptfe
3 Chrome plated ball	1	CW617N
4 Unplated NPT end cap	1	CW617N
5 Nickel plated stem O-Ring design	1	CW617N
6 Geomet® nut	1	CB4FF
7 O-Ring	2	FPM
8 Yellow geomet® steel handle	1	DD11
9 Plug	1	CW617N

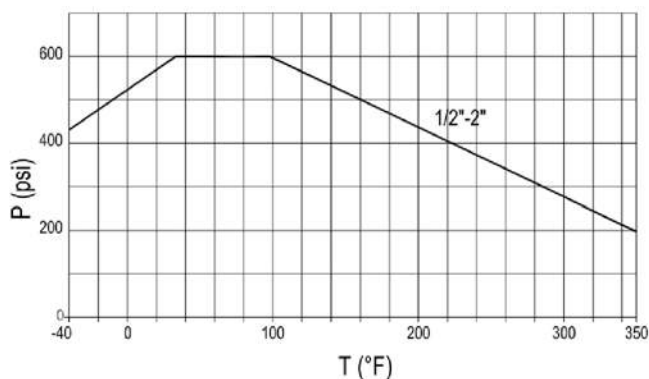


Code	S82D41	S82E41	S82F41	S82G41	S82H41	S82I41
D (inch)	1/2	3/4	1	1 1/4	1 1/2	2
DN (inch)	0.590	0.787	0.984	1.259	1.574	1.968
I (inch)	0.610	0.669	0.826	0.905	0.905	1.043
L (inch)	2.559	2.736	3.405	3.878	4.232	4.960
G (inch)	1.397	1.476	1.811	2.047	2.224	2.578
A (inch)	3.937	4.724	4.724	6.220	6.220	6.220
H (inch)	1.679	1.956	2.114	2.858	3.094	3.370
M (inch)	0.964	1.063	1.200	1.338	1.516	1.752
CH (inch)	0.984	1.220	1.574	1.929	2.125	2.696

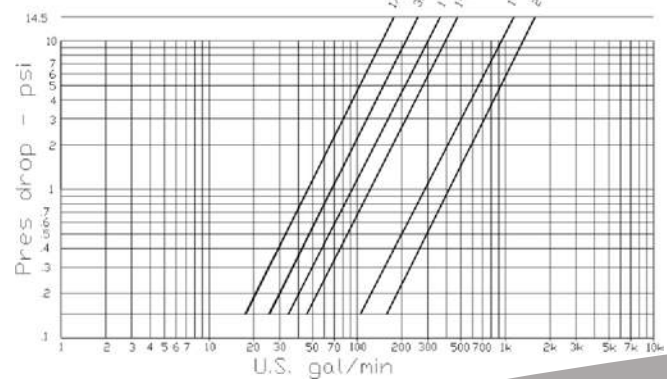
DN shows the nominal flow diameter.
Actual flow diameter complies with full port DIN 3357 part 4.

Ask for additional information on the whole range of RUB valves
and consult with your supplier for special applications.

Pressure - Temperature Chart



Pressure Drop Chart



s.92 NPT Full Port 1/4" - 4" hot forged brass ball valves



Features and Specifications:

- Hot forged sand blasted, unplated brass body and cap sealed with Loctite or equivalent thread sealant
- Approved by CSA International, Underwriters Laboratories (UL), Canadian Underwriters Laboratories (cUL), Factory Mutual (FM), and meeting WW-V-35C Federal U.S. Specification, GOST-R (RU), Hygenic (RU), ROSTEKHNADZOR (RU), UkrSepro (U)
- Certified by CSA International, the widely recognized and respected independent certification organization for public health safety
- Finest brass according to EN 12165 and EN 12164 (formerly DIN 17660 and UNI 5705-65) specifications
- Full port to DIN 3357 for maximum flow
- 24h 100% seal test guaranteed
- Glass filled pure PTFE self-lubricating seats with flexible-lip design
- Dual sealing system allows valve to be operated in either direction making installation easier
- Chrome plated brass ball for longer life
- No metal-to-metal moving parts
- Blowout-proof nickel plated brass stem
- Pure virgin PTFE adjustable packing gland and reinforced washer for lower torque and easy maintenance
- Triple stem seals in sizes over 2"
- Handle stops on body to avoid stresses at stem
- Handle removable with valve in service
- Geomet® carbon steel handle with thick PVC dip coating
- Handle clearly shows ball position
- NPT taper ANSI B.1.20.1 Female by Female threads
- Silicone-free lubricant on all seals
- 600 PSI up to 2", 450 PSI over 2", (150 WSP all sizes) non-shock cold working pressure
- Range: -40°F +366°F temperature (Warning: freezing of the fluid in the installation may severely damage the valve)

C rated sizes 1/4" through 1"



*150 psig non-shock Working Steam Pressure.
Not suitable for throttling steam. Ask our service center for specific suitability.

Options up to 2":

- Male by Female NPT threads up to 4"
- Stem extension
- Oval lockable handle up to 2", round over 2"
- T-handle
- AISI 430 stainless steel handle
- Patented locking device for valves up to 4"
- Lead Free for safe drinking water (0.25% or less Pb)

Upon request:

- AISI 316 stainless steel ball and/or stem,
- Pure PTFE seals,
- Custom design.

Approved By:



Drinking Water
NSF/ANSI 61

NOTE: Approvals apply to specific configurations/sizes only.



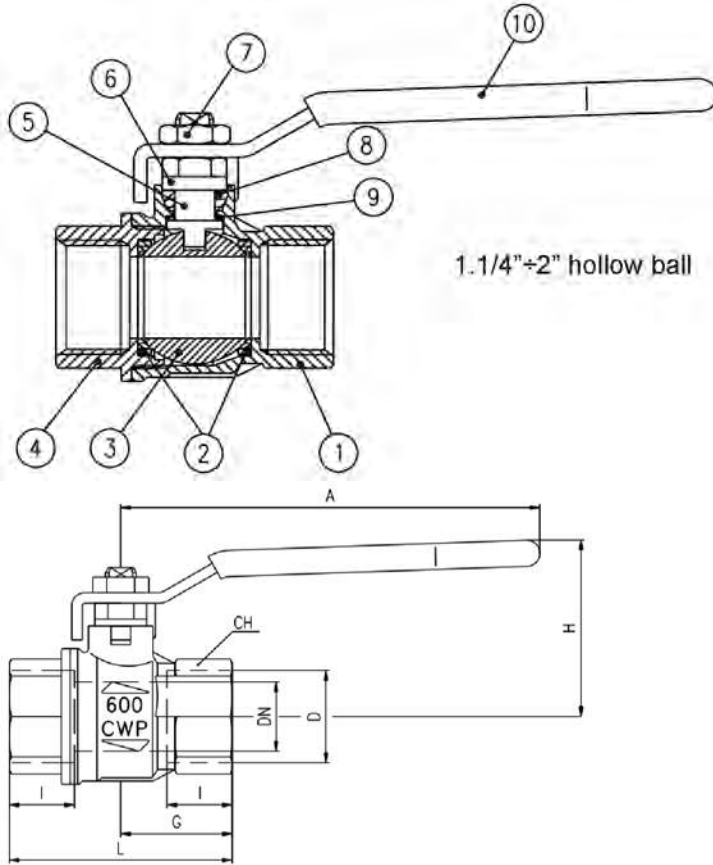
RUB, INC.



s.92 NPT Full Port 1/4" - 4" hot forged brass ball valves



Technical Specifications:



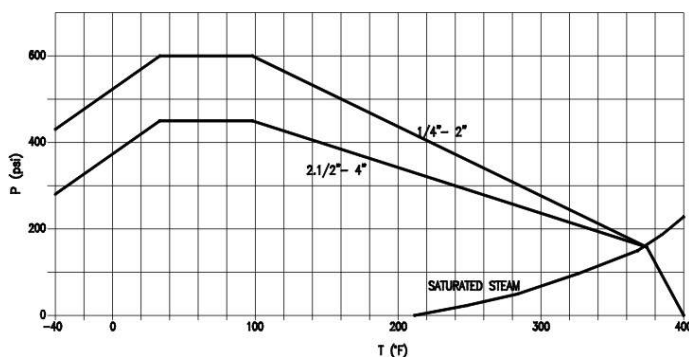
PART DESCRIPTION		Q.ty	Material
1	Unplated NPT body	1	CW617N
2	Seat	2	Ptfe glass filled 5-15%
3	Chrome plated ball	1	CW617N
4	Unplated NPT end cap	1	CW617N
5	Nickel plated stem packing gland design	1	CW617N
6	Nickel plated gland nut	1	CW617N
7	Geomet® nut	1	CB4FF
8	Packing gland seal	1	Ptfe
9	Washer	1	Ptfe carbon filled 25%
10	Yellow PVC coated geomet® steel handle	1	DD11

Code	S92B41	S92C41	S92D41	S92E41	S92F41	S92G41	S92H41	S92I41	S92L41	S92M41	S92N41
D (inch)	1/4	3/8	1/2	3/4	1	1 1/4	1 1/2	2	2 1/2	3	4
DN (inch)	0.314	0.393	0.590	0.787	0.984	1.259	1.574	1.968	2.559	3.149	3.937
I (inch)	0.472	0.472	0.610	0.669	0.826	0.905	0.905	1.043	1.260	1.377	1.633
L (inch)	1.771	1.771	2.322	2.519	3.188	3.661	4.015	4.763	6.141	6.968	8.504
G (inch)	0.885	0.885	1.161	1.259	1.594	1.830	2.007	2.381	3.070	3.484	4.252
A (inch)	3.228	3.228	3.937	4.724	4.724	6.220	6.220	6.220	10.039	10.039	10.039
H (inch)	1.563	1.563	1.695	1.988	2.153	2.988	3.236	3.500	5.196	5.511	6.062
CH (inch)	0.787	0.787	0.984	1.220	1.574	1.929	2.125	2.696	3.346	3.897	4.921

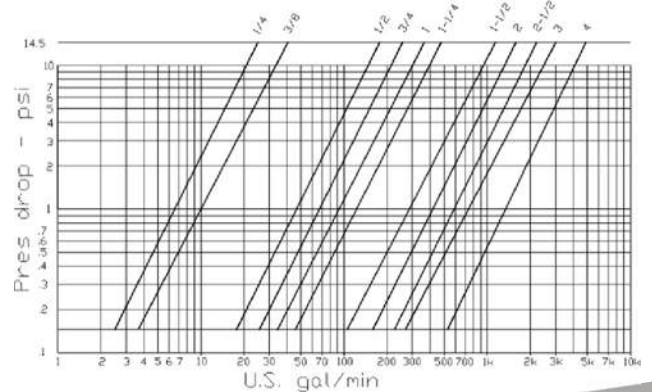
DN shows the nominal flow diameter.
Actual flow diameter complies with full port DIN 3357 part 4.
Stem configuration of valves over 2" is slightly different.
Ask for details at our Service Center

Ask for additional information on the whole range of RUB valves
and consult with your supplier for special applications.

Pressure - Temperature Chart



Pressure Drop Chart



s.8042 NPT full port 3/4"-2" hot forged brass gas cock with tamper proof lockwing



Features and Specifications:

- Special design to combine newest technologies in valve and traditional gas-cock requirements
- Hot forged sand blasted, unplated brass body and cap sealed with Loctite or equivalent thread sealant
- Approved by CSA International to ASME B16.33 & AGA Req't #3-88, Underwriters Laboratories (UL), Canadian Underwriters Laboratories (cUL), UkrSepro (U)
- Finest brass according to EN 12165 and EN 12164 (formerly DIN 17660 and UNI 5705-65) specifications
- Full port to DIN 3357 for maximum flow
- 24h 100% seal test guaranteed
- Pure PTFE self-lubricating seats with flexible-lip design
- Dual sealing system allows valve to be operated in either direction making installation easier
- Chrome plated brass ball for longer life
- No metal-to-metal moving parts
- Blowout-proof nickel plated brass stem
- Two FPM O-rings at the stem for maximum safety
- No maintenance ever required
- Travel stops on body to avoid stresses at stem
- Hot forged brass tamper proof lockwing
- Cover clearly shows ball position
- NPT taper ANSI B1.20.1 Male by Female threads
- Silicone-free lubricant on all seals
- 600 PSI non-shock cold working pressure
- Range: -40°F +350°F temperature



Approved By:



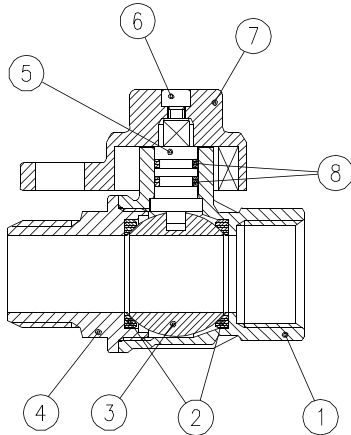
NOTE: Approvals apply to specific configurations/sizes only.



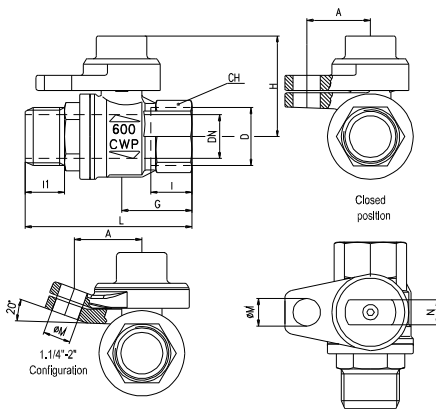
s.8042 NPT
full port 3/4"-2"
hot forged brass gas cock
with tamper proof locking



Technical Specifications:



1.1/4"±2" hollow ball



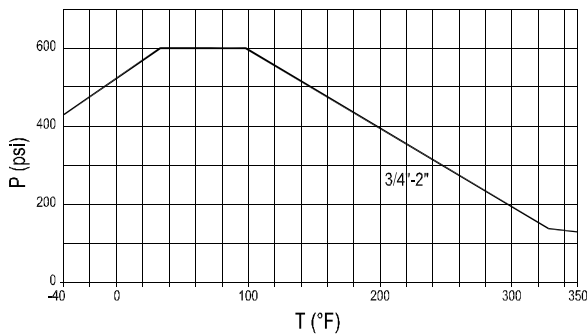
DN shows the nominal flow diameter.
 Actual flow diameter complies with full port DIN 3357 part 4.

PART DESCRIPTION		Q.ty	Material
1	Unplated NPT body	1	CW617N
2	Seat	2	Ptfe
3	Chrome plated ball	1	CW617N
4	Unplated NPT male end cap	1	CW617N
5	Unplated stem O-Ring design	1	CW617N
6	Stainless steel screw	1	AISI304
7	Unplated locking	1	CW617N
8	O-Ring	2	FPM

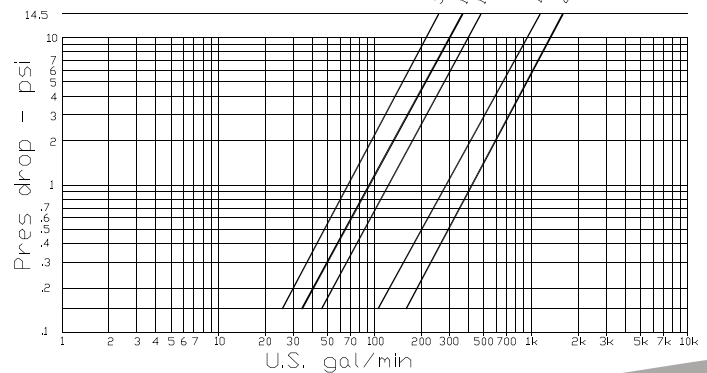
Code	S80E42	S80F42	S80G42	S80H42	S80I42
D (inch)	3/4	1	1 1/4	1 1/2	2
DN (inch)	0.787	0.984	1.259	1.574	1.968
I (inch)	0.669	0.826	0.905	0.905	1.043
I1 (inch)	0.709	0.866	0.945	0.945	1.083
L (inch)	2.992	3.642	4.173	4.449	5.236
G (inch)	1.259	1.594	1.830	2.007	2.381
A (inch)	1.142	1.142	1.208	1.208	1.208
H (inch)	1.801	1.958	2.519	2.756	3.031
M (inch)	0.492	0.492	0.472	0.472	0.472
N (inch)	0.449	0.449	0.563	0.563	0.563
CH (inch)	1.220	1.574	1.929	2.125	2.696

Ask for additional information on the whole range of RUB valves and consult with your supplier for special applications.

Pressure - Temperature Chart



Pressure Drop Chart



The company reserves all rights for the information contained herein. Products may be changed at any time without notice. Any undated reference to a code or standard shall be interpreted as referring to the latest edition. RUB and logo are registered trademarks of RUB-Produktionsgesellschaft mbH. Other logos are property of respective owners.

s.8043 NPT dielectric full port 3/4"-1.1/4" hot forged brass ball valves with tamper proof lockwing



Features and Specifications:

- Special design to combine newest technologies in valve and traditional gas-cock requirements
- Hot forged sand blasted, unplated brass body and cap sealed with Loctite or equivalent thread sealant
- Approved by CSA Internationa to ASME B16.33 & AGA Req't #3-88, Underwriters Laboratories (UL), Canadian Underwriters Laboratories (cUL)
- Finest brass according to EN 12165 and EN 12164 (formerly DIN 17660 and UNI 5705-65) specifications
- Full port to DIN 3357 for maximum flow
- 24h 100% seal test guaranteed
- Pure PTFE self-lubricating seats with flexible-lip design
- Chrome plated brass ball for longer life
- No metal-to-metal moving parts
- Blowout-proof nickel plated brass stem
- Two FPM O-rings at the stem for maximum safety
- No maintenance ever required
- Travel stops on body to avoid stresses at stem
- Hot forged brass tamper proof lockwing
- Cover clearly shows ball position
- NPT taper ANSI B1.20.1 Female by dielectric union Female threads
- Silicone-free lubricant on all seals
- 600 PSI non-shock cold working pressure
- Range: -40°F +350°F



Approved By:



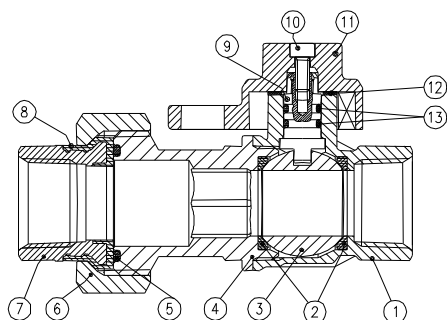
NOTE: Approvals apply to specific configurations/sizes only.



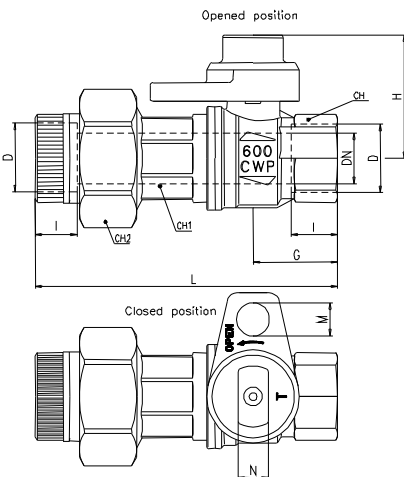
s.8043 NPT dielectric full port 3/4"-1.1/4" hot forged brass ball valves with tamper proof lockwing



Technical Specifications:



1.1/4"÷2" hollow ball



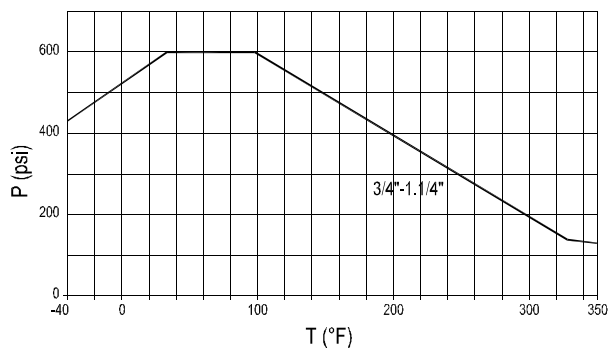
DN shows the nominal flow diameter.
Actual flow diameter complies with full port DIN 3357 part 4.

PART DESCRIPTION		Q.ty	Material
1	Unplated body	1	CW617N
2	Seat	2	Ptfe
3	Chrome plated ball	1	CW617N
4	Unplated spacer	1	CW617N
5	Tail piece O-Ring	1	NBR
6	Unplated nut	1	CW617N
7	Dielectric tail piece	1	CW617N
8	Insulation	1	Poliamide
9	Unplated stem O-Ring design	1	CW617N
10	Stainless steel screw	1	AISI304
11	Unplated lockwing	1	CW617N
12	Washer	1	Ptfe
13	Stem O-Ring	2	FPM

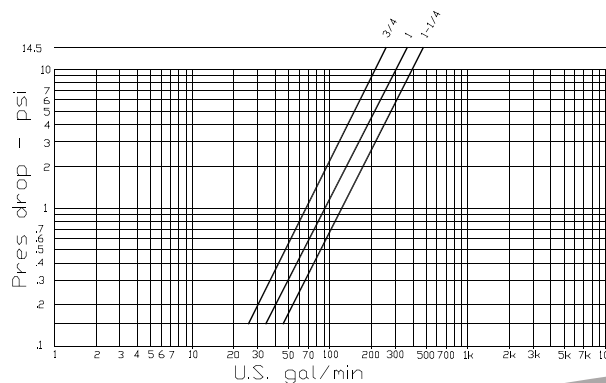
Code	S80E43	S80F43	S80G43
D (inch)	3/4	1	1.1/4
DN (inch)	0.748	0.945	1.181
I (inch)	0.669	0.826	0.905
L (inch)	4.507	5.157	5.236
G (inch)	1.260	1.594	1.831
A (inch)	1.141	1.141	1.209
H (inch)	1.831	1.988	2.559
M (inch)	0.492	0.492	0.472
N (inch)	0.449	0.449	0.563
CH (inch)	1.220	1.575	1.929
CH1 (inch)	1.220	1.575	1.929
CH2 (inch)	2.047	2.401	2.441

Ask for additional information on the whole range of RUB valves
and consult with your supplier for special applications.

Pressure - Temperature Chart



Pressure Drop Chart



s.195 NPT+flare 3/8"-1" gas cock hot forged



Features and Specifications:

- Hot forged sand blasted, unplated brass body and cap sealed with Loctite or equivalent thread sealant
- Approved by CSA International, Underwriters Laboratories (UL), Canadian Underwriters Laboratories (cUL) and meeting WW-V-35C Federal U.S. Specification, GOST-R (RU), Hygenic (RU), ROSTEKHNADZOR (RU), UkrSepro (U)
- Finest brass according to EN 12165 and EN 12164 (formerly DIN 17660 and UNI 5705-65) specifications
- Standard port for compact design
- 24h 100% seal test guaranteed
- Pure PTFE self-lubricating seats with flexible-lip design
- Dual sealing system allows valve to be operated in either direction making installation easier
- Chrome plated brass ball for longer life
- No metal-to-metal moving parts
- Blowout-proof nickel plated brass stem
- Two FPM O-rings at the stem for maximum safety
- No maintenance ever required
- Handle stop on body to avoid stresses at stem
- Removable handle with valve in service
- Aluminum wedge handle enameled red
- Handle clearly shows ball position
- NPT taper ANSI B.1.20.1 Female by Female threads
- Silicone-free lubricant on all seals
- 450 PSI non-shock cold working pressure
- Range: -40°F +350°F temperature (Warning: freezing of the fluid in the installation may severely damage the valve)



Options:

- 3/8" through 1" NPT female by NPT female (suffix 41)
- 3/8", 1/2" and 5/8" flare by flare (suffix 30)
- 1/2" NPT female by 1/2" flare (suffix 31)
- 1/2" NPT male by 1/2" flare (suffix 34)
- 1/2" NPT male by 3/8" flare (suffix 34)
- 1/2" NPT female by 3/8" flare (suffix 33)
- 1/2" NPT female by 5/16" flare (suffix 36)
- 1/2" flare by 3/8" flare (suffix 32)
- 1/8" NPT side tap for all versions/sizes
- Stem extension
- Aluminum T-handle
- AISI 430 stainless steel handle

Approved By:



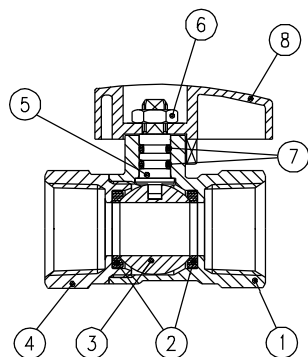
NOTE: Approvals apply to specific configurations/sizes only.



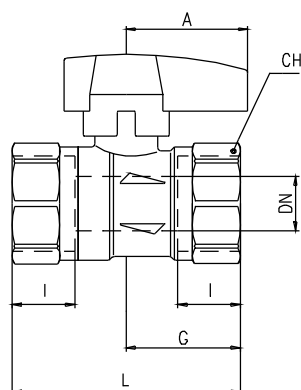
s.195 NPT+flare 3/8"-1" gas cock hot forged



Technical Specifications:



	PART DESCRIPTION	QTY.	Material
1	Sand blasted unplated NPT body	1	CW617N
2	Seat	2	Ptfe
3	Chrome plated ball	1	CW617N
4	Sand blasted unplated NPT end cap	1	CW617N
5	Nickel plated stem O-ring design	1	CW617N
6	Geomet®nut	1	CB4FF
7	O-ring	2	FPM
8	Red T-handle (RAL 3000)	1	SgAlSi12

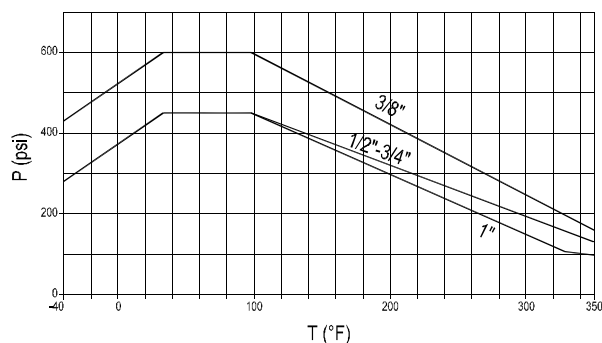


Code	195C41	195D41	195E41	195F41
D (inch)	3/8	1/2	3/4	1
DN(inch)	0.393	0.453	0.590	0.787
I (inch)	0.472	0.610	0.669	0.827
L (inch)	1.772	2.126	2.441	2.835
G (inch)	0.886	1.043	1.220	1.417
A (inch)	1.299	1.299	1.299	1.299
H (inch)	1.437	1.535	1.614	1.752
CH(inch)	0.787	0.984	1.220	1.496

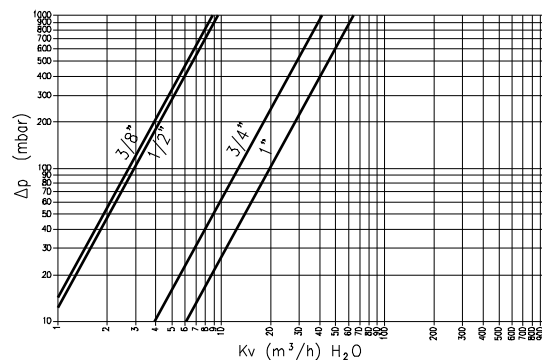
DN shows the nominal flow diameter.

Ask for additional information on the whole range of RUB valves and consult with your supplier for special applications.

Pressure - Temperature Chart



Pressure Drop Chart



s.195 flare 37° + solder end 1/2" hot forged



Features and Specifications:

- Hot forged sand blasted, unplated brass body and cap sealed with Loctite or equivalent thread sealant
- Approved by UkrSepro (U)
- Finest brass according to EN 12165 and EN 12164 (formerly DIN 17660 and UNI 5705-65) specifications
- Standard port for compact design
- 24h 100% seal test guaranteed
- Pure PTFE self-lubricating seats with flexible-lip design
- Dual sealing system allows valve to be operated in either direction making installation easier
- Chrome plated brass ball for longer life
- No metal-to-metal moving parts
- Blowout-proof nickel plated brass stem
- Pure virgin PTFE adjustable packing gland and reinforced washer for lower torque and easy maintenance
- No maintenance ever required
- Handle stop on body to avoid stresses at stem
- Removable handle with valve in service
- Aluminum T-handle enameled red
- Handle clearly shows ball position
- 1/2 flare 37° by 1/2" solder end
- Silicone-free lubricant on all seals
- 450 PSI non-shock cold working pressure
- Range: -40°F +350°F temperature (Warning: freezing of the fluid in the installation may severely damage the valve)



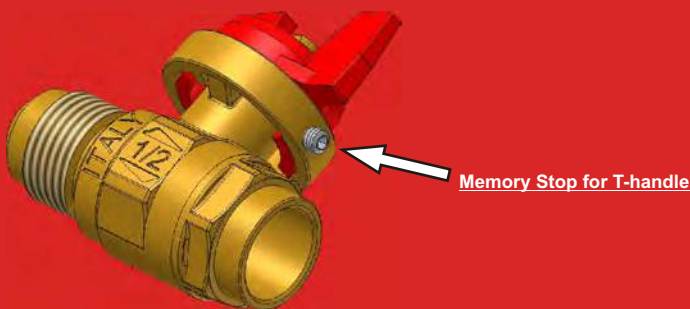
Options:

- Memory stop
- Geomet® carbon steel handle
- AISI 430 stainless steel handle
- Aluminum wedge handle,

Approved By:



NOTE: Approvals apply to specific configurations/sizes only.



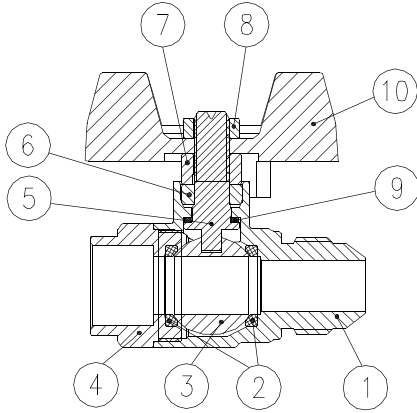
Memory Stop for T-handle



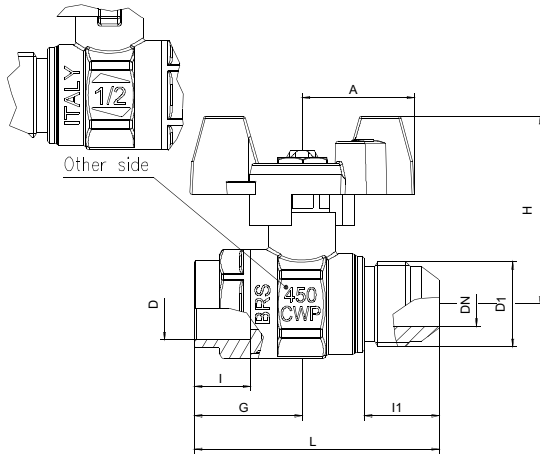
s.195 flare 37° + solder end 1/2" hot forged



Technical Specifications:



PART DESCRIPTION		Q.ty	Material
1	Sand blasted unplated body	1	CW617N
2	Seat	2	Ptfe
3	Chrome plated ball	1	CW617N
4	Sand blasted unplated end cap	1	CW617N
5	Nickel plated stem packing gland design	1	CW617N
6	Packing gland seal	1	Ptfe
7	Nickel plated gland nut	1	CW617N
8	Geomet® nut	1	CB4FF
9	Washer	1	Ptfe carbon filled 25%
10	Red T-handle (RAL 3003)	1	SgAlSi12

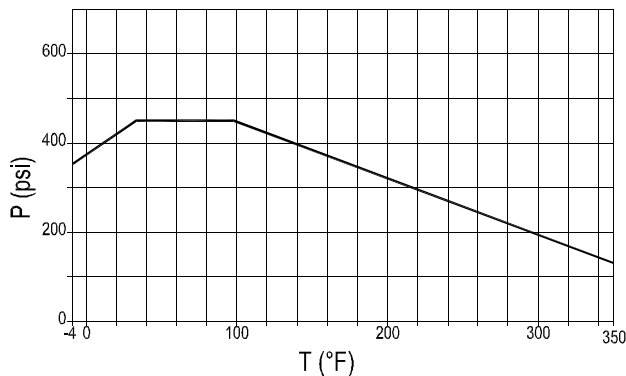


Code	195D40
D (inch)	0.63
D1 (inch)	3/4-16 UNF 2A
DN (inch)	0.39
I (inch)	0.5
I1 (inch)	0.66
L (inch)	2.15
G (inch)	0.94
A (inch)	0.98
H (inch)	1.65

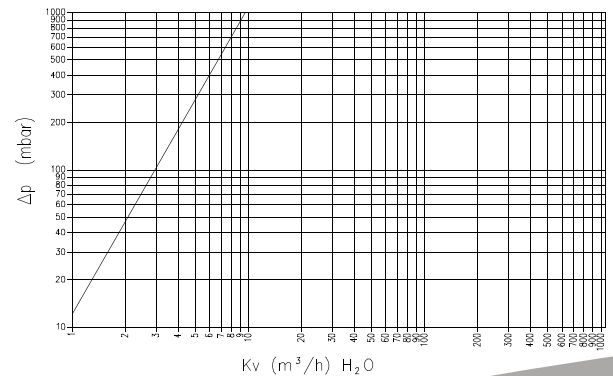
DN shows the nominal flow diameter.

Ask for additional information on the whole range of RuB valves and consult with your supplier for special applications.

Pressure - Temperature Chart



Pressure Drop Chart



s.80 NPT full port 3/4"-2" hot forged brass gas cock with tamper proof lockwing



Features and Specifications:

- Special design to combine newest technologies in valve and traditional gas-cock requirements
- Hot forged sand blasted, unplated brass body and cap sealed with Loctite or equivalent thread sealant
- Approved by CSA International to ASME B16.33 & AGA Req't #3-88, Underwriters Laboratories (UL), Canadian Underwriters Laboratories (cUL), GOST-R (RU), Hygenic (RU), ROSTEKHNADZOR (RU), UkrSepro (U)
- Finest brass according to EN 12165 and EN 12164 (formerly DIN 17660 and UNI 5705-65) specifications
- Full port to DIN 3357 for maximum flow
- 24h 100% seal test guaranteed
- Pure PTFE self-lubricating seats with flexible-lip design
- Dual sealing system allows valve to be operated in either direction making installation easier
- Chrome plated brass ball for longer life, No metal-to-metal moving parts
- Blowout-proof nickel plated brass stem
- Two FPM O-rings at the stem for maximum safety
- No maintenance ever required
- Travel stops on body to avoid stresses at stem
- Hot forged brass tamper proof lockwing
- Cover clearly shows ball position
- NPT taper ANSI B1.20.1 Female by Female threads
- Silicone-free lubricant on all seals
- 600 PSI non-shock cold working pressure
- Range: -40°F +350°F temperature



Upon request:

- painted Gray

Approved By:



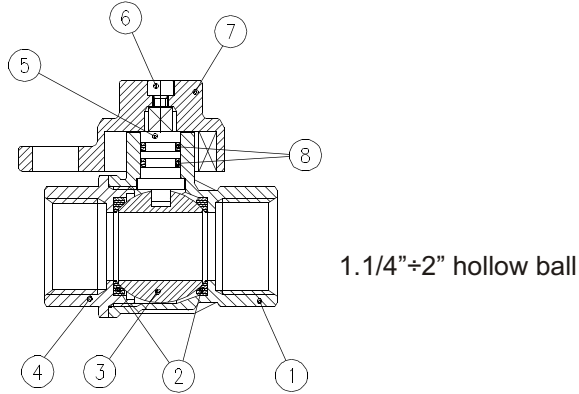
NOTE: Approvals apply to specific configurations/sizes only.



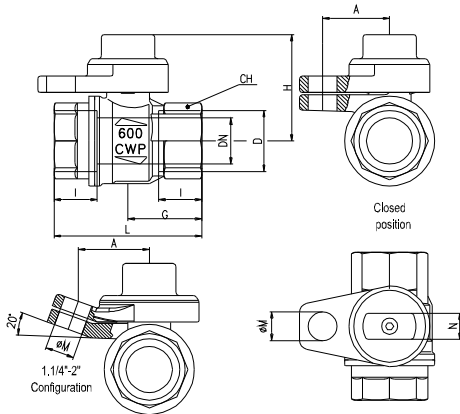
**s.80 NPT
full port 3/4"-2"
hot forged brass gas cock
with tamper proof locking**



Technical Specifications:



PART DESCRIPTION		Q.ty	Material
1	Unplated NPT body	1	CW617N
2	Seat	2	Ptfe
3	Chrome plated ball	1	CW617N
4	Unplated NPT end cap	1	CW617N
5	Unplated stem O-Ring design	1	CW617N
6	Stainless steel screw	1	AISI304
7	Unplated lockwing	1	CW617N
8	O-Ring	2	FPM

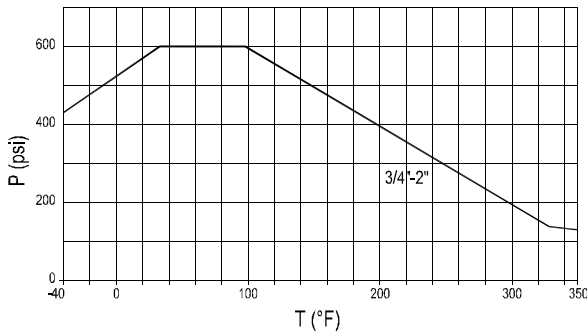


Code	S80E41	S80F41	S80G41	S80H41	S80J41
D (inch)	3/4	1	1 1/4	1 1/2	2
DN (inch)	0.787	0.984	1.259	1.574	1.968
I (inch)	0.669	0.826	0.905	0.905	1.043
L (inch)	2.519	3.188	3.661	4.015	4.763
G (inch)	1.259	1.594	1.830	2.007	2.381
A (inch)	1.142	1.142	1.208	1.208	1.208
H (inch)	1.801	1.958	2.519	2.756	3.031
M (inch)	0.492	0.492	0.472	0.472	0.472
N (inch)	0.449	0.449	0.563	0.563	0.563
CH (inch)	1.220	1.574	1.929	2.125	2.696

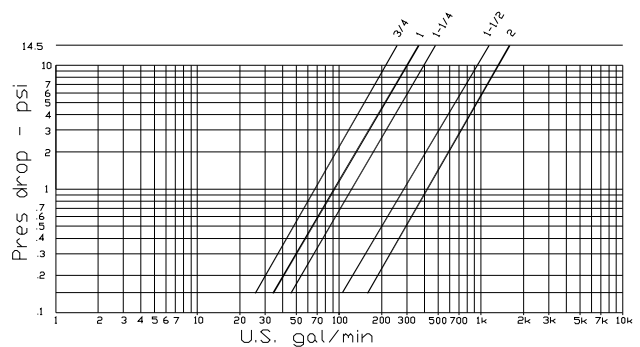
DN shows the nominal flow diameter.
Actual flow diameter complies with full port DIN 3357 part 4.

Ask for additional information on the whole range of RUB valves
and consult with your supplier for special applications.

Pressure - Temperature Chart



Pressure Drop Chart

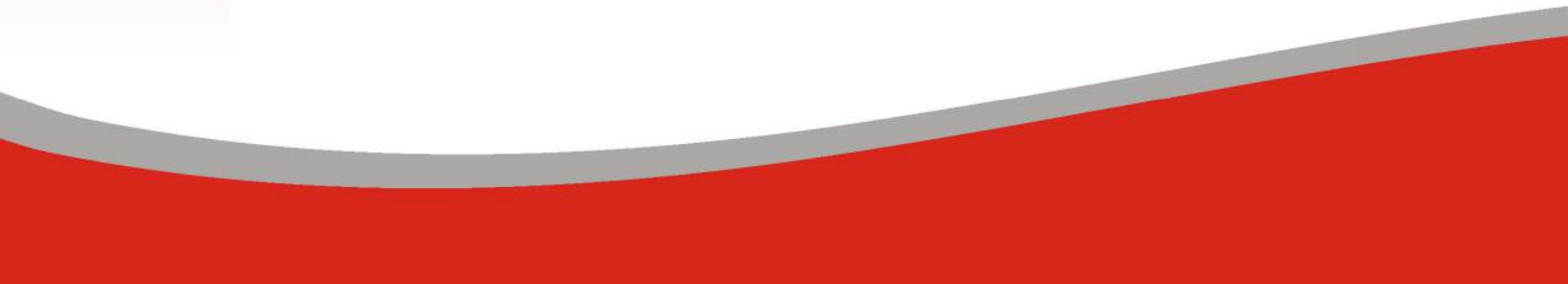
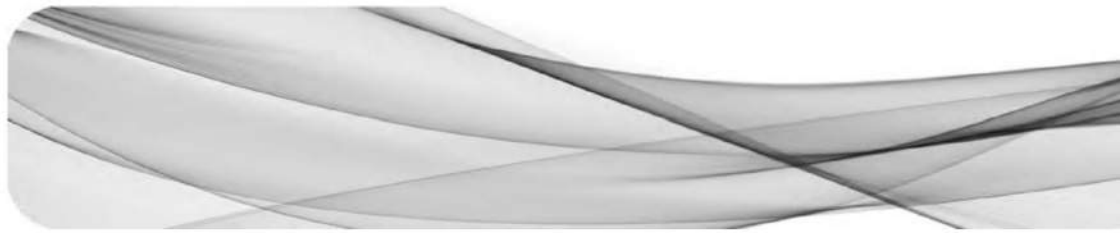
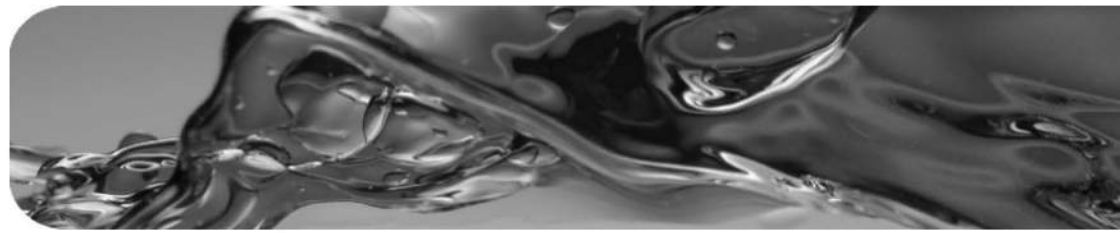


The company reserves all rights for the information contained herein. Products may be changed at any time without notice. Any unlisted references to a code or standard shall be interpreted as referring to the latest edition. RUB and logo are registered trademarks of RUB-Produktionsbetriebe Johannes Bomm. Other logos are property of respective owners.



PLUMBING





s.42 solder ends full port 1/2" - 3" hot forged brass ball valves



Features and Specifications:

- Hot forged sand blasted, unplated brass body and cap sealed with Loctite or equivalent thread sealant
- Approved by Underwriters Laboratories (UL), Canadian Underwriters Laboratories (cUL), and Meeting WW-V-35C Federal U.S. Specification, GOST-R (RU), Hygenic (RU), ROSTEKHNADZOR (RU), UkrSepro (U)
- Certified by CSA International, the widely recognized and respected independent certification organization for public health safety
- Finest brass according to EN 12165 and EN 12164 (formerly DIN 17660 and UNI 5705-65) specifications
- Full port to DIN 3357 for maximum flow
- 24h 100% seal test guaranteed
- Pure PTFE self-lubricating seats with flexible-lip design
- Dual sealing system allows valve to be operated in either direction making installation easier
- Chrome plated brass ball for longer life
- No metal-to-metal moving parts
- Blowout-proof nickel plated brass stem
- Pure virgin PTFE adjustable packing gland and reinforced washer for lower torque and easy maintenance
- Handle stops on body to avoid stresses at stem
- Handle removable with valve in service
- Geomet® carbon steel handle with thick PVC dip coating
- Handle clearly shows ball position
- Solder end Female by Female connections
- Silicone-free lubricant on all seals
- 600 PSI up to 2", 450 PSI over 2" (150 WSP all sizes) non-shock valve cold working pressure (for solder joints ratings see Table 1 below)
- Range: -4°F +366°F temperature (for solder joints ratings see Table 1 below)



*150 psig non-shock Working Steam Pressure.
Not suitable for throttling steam. Ask our service center for specific suitability.

Options up to 2":

- 1/8" NPT side tap only for 1/2" and 3/4"
- Stem extension (Assemble after soldering)
- Oval lockable handle up to 2", round over 2"
- AISI 430 stainless steel handle
- Patented locking device up to 3"
- Lead Free for safe drinking water (0.25% or less Pb)

Upon request:

- AISI 316 stainless steel ball and/or stem
- Glass filled PTFE seals
- Custom design

Approved By:



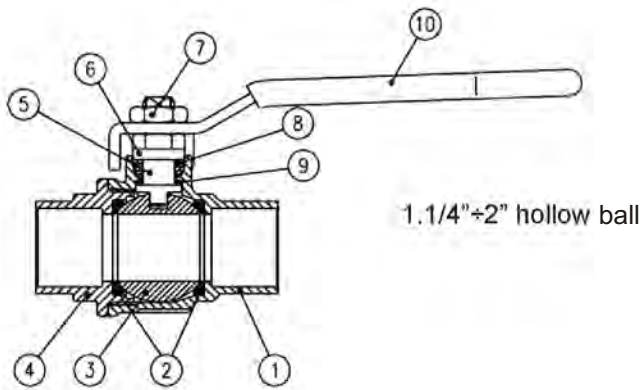
NOTE: Approvals apply to specific configurations/sizes only.



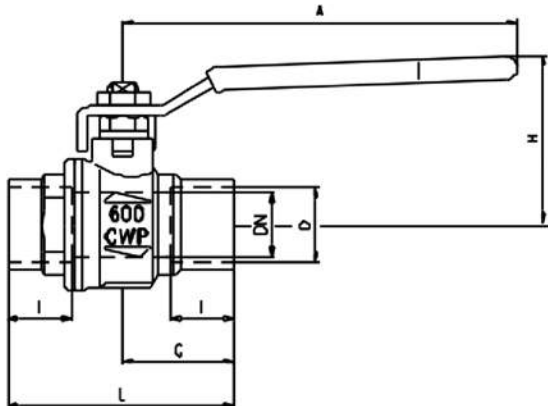
Drinking Water
NSF/ANSI 61



Technical Specifications:



PART DESCRIPTION	Q.ty	Material
1 Unplated solder end body	1	CW617N
2 Seat	2	Ptfe
3 Chrome plated ball	1	CW617N
4 Unplated NPT end cap	1	CW617N
5 Nickel plated stem packing gland design	1	CW617N
6 Nickel plated gland nut	1	CW617N
7 Geomet® nut	1	CB4FF
8 Packing gland seal	1	Ptfe
9 Washer	1	Ptfe carbon filled 25%
10 Yellow Geomet® steel handle	1	DD11



Code	S42D00	S42E00	S42F00	S42G00	S42H00	S42I00	S42L00	S42M00
D (inch)	Nominal	1/2	3/4	1	1 1/4	1 1/2	2	2 1/2
	actual	0.6271	0.8771	1.1279	1.3779	1.6279	2.1279	2.628
DN (inch)	0.590	0.787	0.984	1.259	1.574	1.968	2.559	3.149
I (inch)	0.492	0.748	0.905	0.964	1.102	1.338	1.476	1.673
L (inch)	2.244	2.854	3.346	3.819	4.488	5.433	6.614	7.598
G (inch)	1.181	1.476	1.673	1.909	2.244	2.716	3.307	3.799
A (inch)	3.937	4.724	4.724	6.220	6.220	6.220	10.039	10.039
H (inch)	1.695	1.988	2.153	2.988	3.236	3.500	5.196	5.511

Joining material	melting range degrees		working temperature degrees		maximum working gauge pressure					
	°F	°C	°F	°C	size 1/2"-1"		size 1.1/4"-2"		size 2.1/2"-4"	
					psi	kPa	psi	kPa	psi	kPa
50-50 tin-lead solder* ASTM B32 alloy grade 50A	361/421	185/215	0/+100	-18/+38	200	1400	175	1200	150	1050
			0/+150	-18/+66	150	1050	125	850	100	700
			0/+200	-18/+93	100	700	90	600	75	500
			0/+250	-18/+121	85	600	75	500	50	350
95-5 tin-antimony solder ASTM B32 alloy grade 95TA	450/464	230/240	0/+100	-18/+38	500	3500	400	2800	300	2100
			0/+150	-18/+66	400	2800	350	2400	275	2000
			0/+200	-18/+93	300	2100	250	1700	200	1400
			0/+250	-18/+121	200	1400	175	1200	150	1050

Above stated limits are not imposed by the valve, but by the strength of the soldering joint according to ASME B16.22.

*This alloy contains more than 0.2% lead and, according to certain specifications, cannot be used for potable water or other foods.

DN shows the nominal flow diameter. Actual flow diameter complies with full port DIN 3357 part 4. Stem configuration of valves over 2" is slightly different. Ask for details at our Service Center.

Ask for additional information on the whole range of RuB valves and consult with your supplier for special applications.

Pressure - Temperature Chart

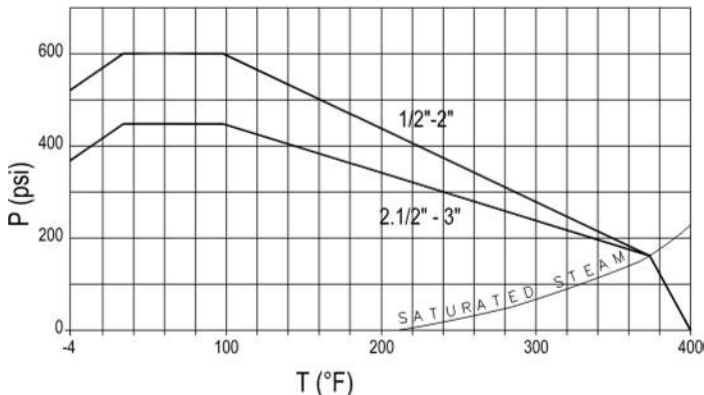
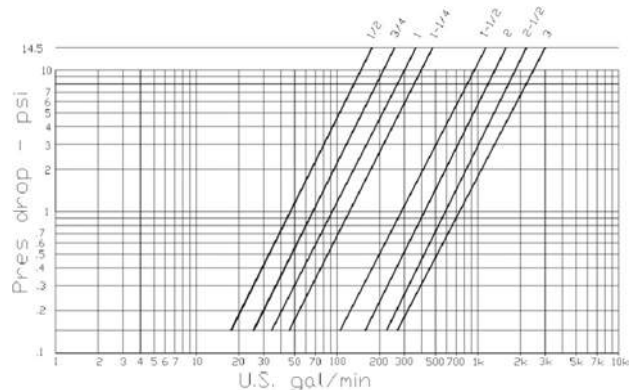


Chart applies to valve, not to solder joints

Pressure Drop Chart



standard shall be interpreted as referring to the latest edition. RuB and logo are registered trademark of RuB-Industrieunternehmen Bremen. Other logos are property of respective owners. The company reserves all rights for the information contained herein. Products may be changed at any time without notice. Any undated reference to a code or

s.90 NPT economy full port 1/4" - 2" hot forged brass ball valves



Features and Specifications:

- Hot forged full port sand blasted, unplated brass body and cap sealed with Loctite or equivalent thread sealant
- Approved by: UkrSepro (U)
- 24h 100% seal test guaranteed
- PTFE self-lubricating seats with flexible-lip design
- Dual sealing system allows valve to be operated in either direction making installation easier
- Chrome plated brass ball for longer life
- No metal-to-metal moving parts
- Blowout-proof nickel plated brass stem
- Two FPM O-rings at the stem for maximum safety
- No maintenance ever required
- Handle stops on body to avoid stresses at stem
- Handle removable with valve in service
- Geomet® carbon steel handle with thick PVC dip coating
- Handle clearly shows ball position
- NPT short taper Female by Female threads
- 600 PSI non-shock cold working pressure
- Range: -40°F +350°F temperature (Warning: freezing of the fluid in the installation may severely damage the valve).



Options:

- Stem extension
- T-handle
- Oval lockable handle
- AISI 430 stainless steel handle
- Patented locking device

Approved By:



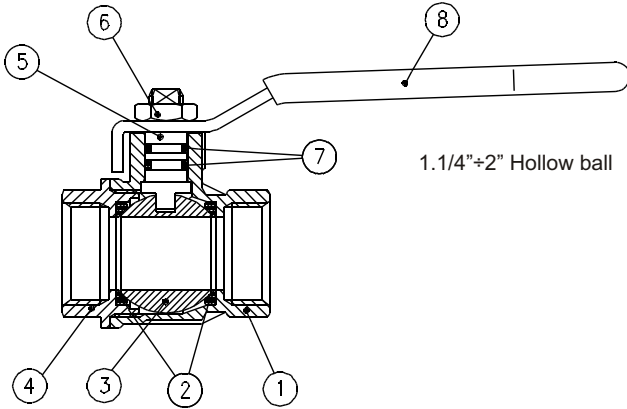
NOTE: Approvals apply to specific configurations only.



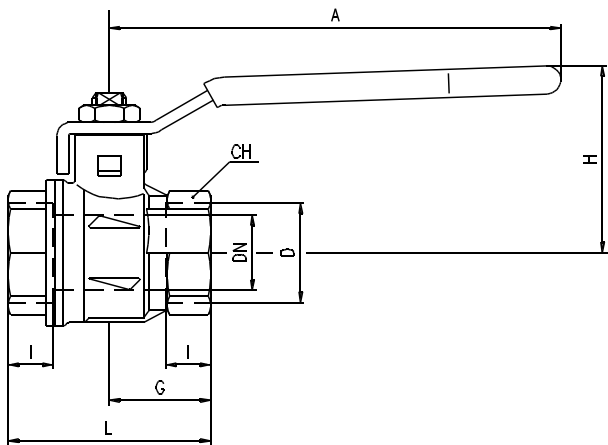
s.90 NPT economy full port 1/4" - 2" hot forged brass ball valves



Technical Specifications:



PART DESCRIPTION		Q.ty	Material
1	Unplated NPT body	1	CW617N
2	Seat	2	Ptfe
3	Chrome plated ball	1	CW617N
4	Unplated NPT end cap	1	CW617N
5	Nickel plated stem O-ring design	1	CW614N
6	Geomet® nut	1	CB4FF
7	O-ring	2	FPM
8	Red PVC coated geomet® steel handle	1	DD11

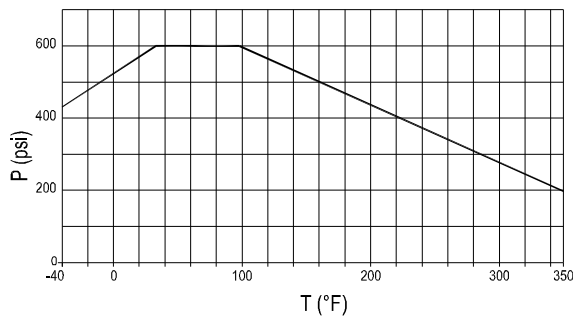


Code	S90B41	S90C41	S90D41	S90E41	S90F41	S90G41	S90H41	S90J41
D (inch)	1/4	3/8	1/2	3/4	1	1 1/4	1 1/2	2
DN(inch)	0.314	0.393	0.590	0.787	0.984	1.259	1.574	1.968
I (inch)	0.354	0.354	0.433	0.472	0.551	0.590	0.669	0.748
L (inch)	1.535	1.535	1.968	2.125	2.637	3.031	3.543	4.173
G (inch)	0.767	0.767	0.984	1.062	1.318	1.515	1.771	2.086
A (inch)	3.228	3.228	3.937	4.724	4.724	6.220	6.220	6.220
H (inch)	1.480	1.480	1.679	1.956	2.114	2.858	3.094	3.370
CH(inch)	0.787	0.787	0.984	1.220	1.496	1.889	2.125	2.598

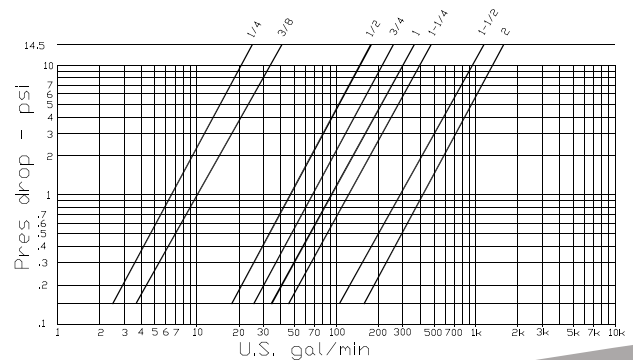
DN shows the nominal flow diameter.
Actual flow diameter complies with full port DIN 3357 part 4.

Ask for additional information on the whole range of RuB valves
and consult with your supplier for special applications.

Pressure - Temperature Chart



Pressure Drop Chart



The company reserves all rights for the information contained herein. Products may be changed at any time without notice. Any unlisted reference to a code or standard shall be interpreted as referring to the latest edition. RuB and logo are registered trademark of RuB-Produktionsunternehmen Bremen. Other logos are property of respective owners.

s.22 union/solder ends full port 1/2" - 2" hot forged brass ball valves



Features and Specifications:

- Hot forged sand blasted, unplated brass body and cap sealed with Loctite or equivalent thread sealant
- Finest brass according to EN 12165 and EN 12164 (formerly DIN 17660 and UNI 5705-65) specifications
- Union by union solder ends
- Full port to DIN 3357 for maximum flow
- 24h 100% seal test guaranteed
- Pure Ptfе self lubricating seats with flexible lip design
- Dual sealing system allows valve to be operated in either direction making installation easier
- Chrome plated brass ball for longer life
- No metal-to-metal moving parts
- Blowout-proof nickel plated brass stem
- Two FPM O-ring at the stem for maximum safety
- No maintenance ever required
- Handle stops on body to avoid stresses at stem
- Handle removable with valve in service
- Geomet® carbon steel handle with thick PVC dip coating,
- Handle clearly shows ball position
- Silicone-free lubricant on all seals
- 200 PSI non-shock cold working pressure
- Range: -40°F +350°F temperature (applicable to valve, not to solder joints)



Options:

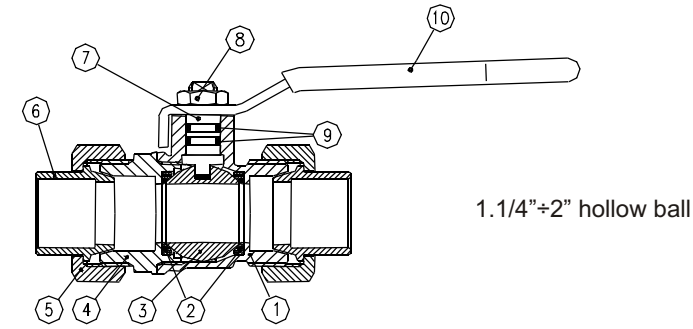
- Stem extension
- Oval lockable handle
- T-handle
- Patented locking device
- AISI 430 stainless steel handle

Upon request:

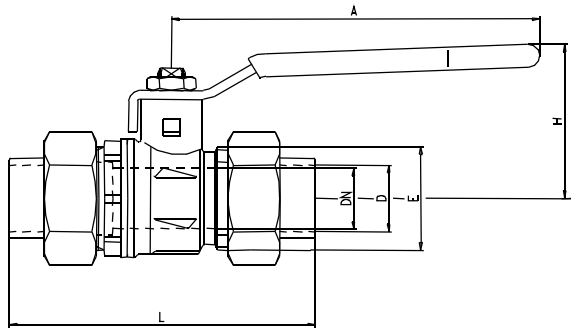
- AISI 316 stainless steel ball and/or stem
- Glass filled pure Ptfе seals
- Custom design.



Technical Specifications:



PART DESCRIPTION		Material	Q.ty
1	Unplated body	CW617N RUB001	1
2	Seat 00-84	Ptfe RUB008	2
3	Chrome plated ball	CW617N RUB001	1
4	Unplated end cap	CW617N RUB001	1
5	Unplated nut	CW614N RUB001	2
6	Unplated solder end hose	CW614N RUB001	2
7	Nickel plated stem O-Ring design	CW614N RUB001	1
8	Dacrolized nut	C10 RUB003	1
9	Green O-Ring	Viton RUB009	2
10	Yellow dacrolized steel handle	Fe50 RUB003	1



Code	S22D15	S22E22	S22F28	S22G35	S22H42	S22I54
D (inch)	Nominal 1/2	3/4	1	1 1/4	1 1/2	2
	actual 0.6271	0.8771	1.1279	1.3779	1.6279	2.1279
E (mm)	M26x1.5	M34x1.5	M40x2	M50x2	M55x2	M70x2
DN(inch)	0.590	0.748	0.945	1.181	1.496	1.889
L (inch)	3.543	4.016	4.763	5.079	5.669	6.496
A (inch)	3.937	4.724	4.724	6.220	6.220	6.220
H (inch)	1.693	1.968	2.126	2.874	3.110	3.385

Joining material	melting range degrees		working temperature degrees		maximum working gauge pressure					
	°F	°C	°F	°C	size 1/2"-1"		size 1.1/4"-2"		size 2.1/2"-4"	
					psi	kPa	psi	kPa	psi	kPa
50-50 tin-lead solder* ASTM B32 alloy grade 50A	361/421	185/215	0/+100	-18/+38	200	1400	175	1200	150	1050
			0/+150	-18/+66	150	1050	125	850	100	700
			0/+200	-18/+93	100	700	90	600	75	500
95-5 tin-antimony solder ASTM B32 alloy grade 95TA	450/464	230/240	0/+100	-18/+38	500	3500	400	2800	300	2100
			0/+150	-18/+66	400	2800	350	2400	275	2000
			0/+200	-18/+93	300	2100	250	1700	200	1400
			0/+250	-18/+121	200	1400	175	1200	150	1050

Above stated limits are not imposed by the valve, but by the strength of the soldering joint according to ASME B16.22.
*This alloy contains more than 0.2% lead and, according to certain specifications, cannot be used for potable water or other foods.

DN shows the nominal flow diameter.
Actual flow diameter complies with full port DIN 3357 part 4.

Ask for additional information on the whole range of RuB valves and consult with your supplier for special applications.

Pressure - Temperature Chart

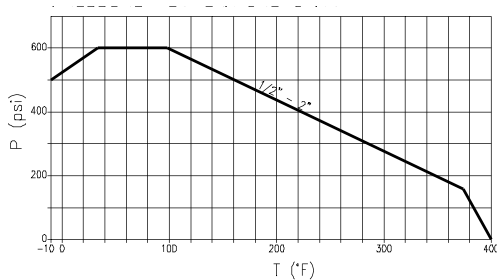
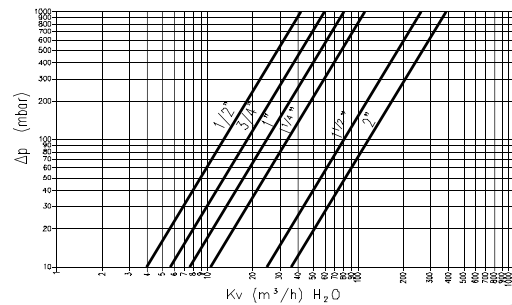


Chart applies to valve, not to solder joints

Pressure Drop Chart



s.71 NPT standard port 1/2"-4" hot forged brass ball valves



Features and Specifications:

- Hot forged sand blasted, unplated brass body and cap sealed with Loctite or equivalent thread sealant
- Finest brass according to EN 12165 and EN 12164 specifications
- Standard port compact design
- 24h 100% seal test guaranteed
- Pure virgin PTFE self-lubricating seats with flexible-lip design
- Dual sealing system allows valve to be operated in either direction making installation easier
- Chrome plated brass ball for longer life
- No metal-to-metal moving parts
- Blowout-proof nickel plated brass stem
- Pure PTFE adjustable packing gland and reinforced washer for lower torque and easy maintenance
- Triple stem seals in sizes over 2"
- Handle stops on body to avoid stresses at stem
- Handle removable with valve in service
- Geomet® carbon steel handle with thick PVC dip coating
- Handle clearly shows ball position
- NPT taper ANSI B.1.20.1 Female by Female threads
- Silicone-free lubricant on all seals
- 600 PSI (150 WSP) non-shock cold working pressure
- Range: -40°F +366°F temperature (Warning: freezing of the fluid in the installation may severely damage the valve)



*150 psig non-shock Working Steam Pressure. Not suitable for throttling steam. Ask our service center for specific suitability

Options up to 2":

- Stem extension
- T-handle
- Oval lockable handle, round over 2.1/2"
- AISI 430 stainless steel handle
- Patented locking device for valves up to 4"

Upon request:

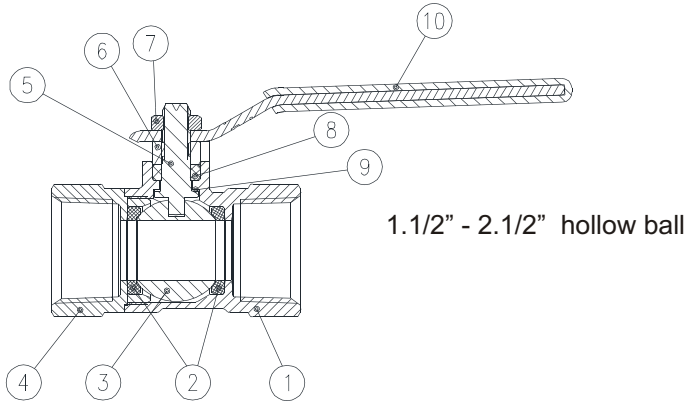
- Male by Female threads
- AISI 316 stainless steel ball and/or stem
- Glass filled PTFE seals
- Custom design.



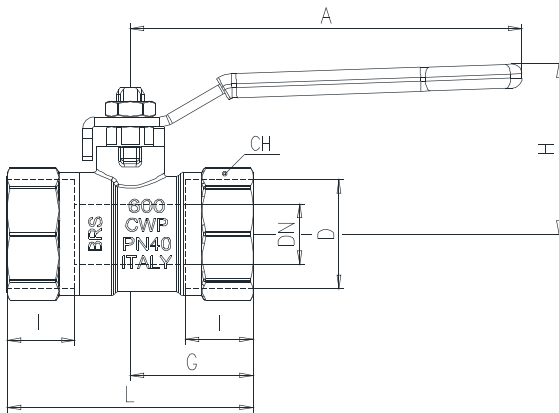
s.71 NPT standard port 1/2"-4" hot forged brass ball valves



Technical Specifications:



	PART DESCRIPTION	Q.ty	Material
1	Unplated NPT body	1	CW617N
2	Seat	2	Ptfe
3	Chrome plated ball	1	CW617N
4	Unplated NPT end cap	1	CW617N
5	Nickel plated stem packing gland design	1	CW617N
6	Nickel plated gland nut	1	CW617N
7	Geomet® nut	1	CB4FF
8	Packing gland seal	1	Ptfe
9	Washer	1	Ptfe carbon filled 25%
10	Black PVC coated geomet® steel handle	1	DD11

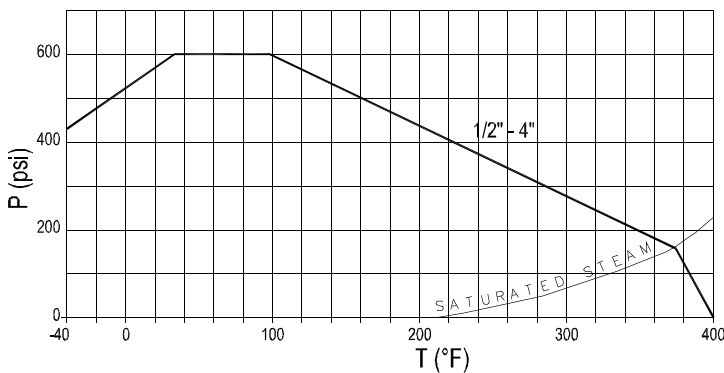


Code	S71D41	S71E41	S71F41	S71G41	S71H41	S71I41	S71L41	S71M41	S71N41
D (inch)	1/2	3/4	1	1 1/4	1 1/2	2	2 1/2	3	4
DN (inch)	0.453	0.591	0.787	0.984	1.260	1.575	1.968	2.559	3.150
I (inch)	0.610	0.669	0.827	0.905	0.905	1.043	1.260	1.378	1.634
L (inch)	2.126	2.441	2.835	3.464	3.779	4.409	5.276	6.378	7.480
G (inch)	1.043	1.220	1.417	1.732	1.890	2.205	2.638	3.189	3.740
A (inch)	3.937	3.937	4.724	4.724	6.220	6.220	6.220	10.039	10.039
H (inch)	1.693	1.695	1.984	2.153	2.988	3.236	3.500	5.197	5.512
CH (inch)	0.984	1.220	1.496	1.929	2.126	2.677	3.346	3.898	4.921

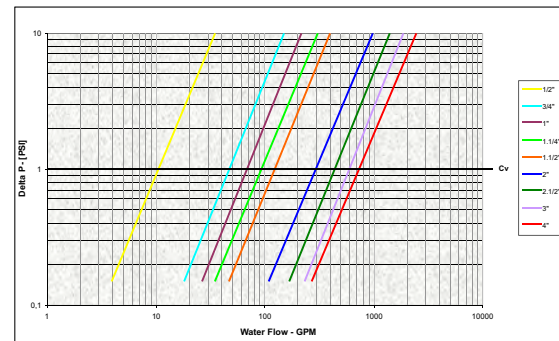
DN shows the nominal flow diameter.
Stem configuration of valves over 2.1/2" is slightly different.
Ask for details at our Service Center.

Ask for additional information on the whole range of RUB valves and consult with your supplier for special applications.

Pressure - Temperature Chart



Pressure Drop Chart



s.40 solder ends standard port 1/2"- 2" hot forged brass ball valves



Features and Specifications:

- Hot forged sand blasted, unplated brass body and cap sealed with Loctite or equivalent thread sealant
- Finest brass according to EN 12165 and EN 12164 (formerly DIN 17660 and UNI 5705-65) specifications
- Standard port for compact design
- 24h 100% seal test guaranteed
- Pure PTFE self-lubricating seats with flexible-lip design
- Dual sealing system allows valve to be operated in either direction making installation easier
- Chrome plated brass ball for longer life
- No metal-to-metal moving parts
- Blowout-proof nickel plated brass stem
- Pure PTFE adjustable packing gland and carbon filled PTFE washer for lower torque and easy maintenance
- Handle stops on body to avoid stresses at stem
- Handle removable with valve in service
- Geomet® carbon steel handle with thick PVC dip coating
- Handle clearly shows ball position
- Solder end Female by Female connections
- Silicone-free lubricant on all seals
- 600 PSI (150 WSP) non-shock cold working pressure
- Range: -40°F +366°F temperature



*150 psig non-shock Working Steam Pressure.
Not suitable for throttling steam. Ask our service center for specific suitability

Options:

- Stem extension
- T-handle
- Oval lockable handle
- AISI 430 stainless steel handle
- Patented locking device

Upon request:

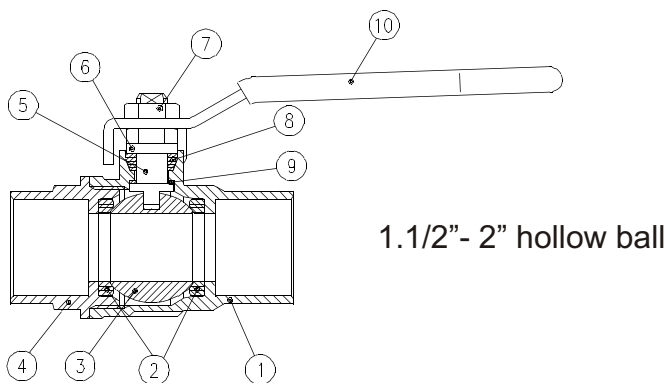
- Glass filled PTFE seals
- Custom design.



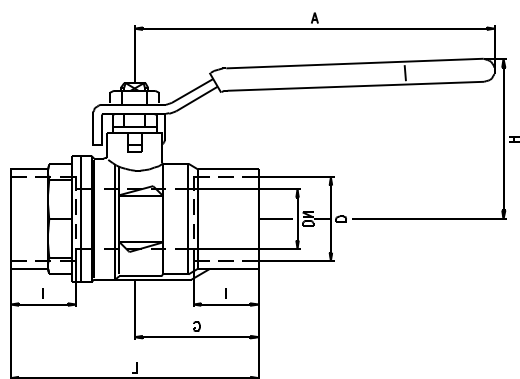
s.40 solder ends standard port 1/2" - 2" hot forged brass ball valves



Technical Specifications:



PART DESCRIPTION		Material	Q.ty
1	S. 40 unplated solder end body	CW617N RUB001	1
2	Seat ØØ-1ØØ	Ptfe RUB008	2
3	Chrome plated ball	CW617N RUB001	1
4	S. 40 unplated solder end cap	CW617N RUB001	1
5	Nickel plated stem packing gland design	CW614N RUB001	1
6	Nickel plated nut with washer	CW614N RUB001	1
7	Dacrotized nut	C10 RUB003	1
8	Packing gland seal	Ptfe RUB008	1
9	Washer	Ptfe carbon filled 25 RUB008	1
10	Black dacrotized steel handle	Fe50 RUB003	1

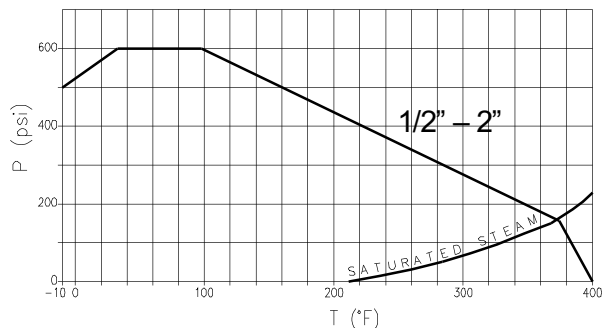


Code		S40D00	S40E00	S40F00	S40G00	S40H00	S40I00
D (inch)	Nominal	1/2	3/4	1	1 1/4	1 1/2	2
	actual	0.6271	0.8771	1.1279	1.3779	1.6279	2.1279
DN (inch)		0.393	0.590	0.787	0.984	1.259	1.574
I (inch)		0.492	0.748	0.905	0.964	1.102	1.338
L (inch)		2.066	2.637	3.267	3.740	4.409	5.374
G (inch)		0.944	1.318	1.633	1.870	2.204	2.696
A (inch)		3.937	3.937	4.724	4.724	6.220	6.220
H (inch)		1.653	1.732	2.086	2.244	3.031	3.287

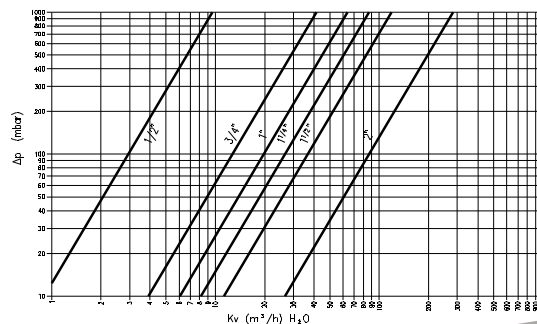
DN shows the nominal flow diameter.
Actual flow diameter complies with full port DIN 3357 part 4.

Ask for additional information on the whole range of RUB valves
and consult with your supplier for special applications.

Pressure - Temperature Chart



Pressure Drop Chart



s.112

1/2" - 2"

Hot Forget brass gate valves



Features and Specifications:

- Suitable for water-works, domestic and agricultural installations
- Hot forged sand blasted brass body
- Low pressure drop
- Non rising stem suitable to most difficult applications
- High performance EPDM stem seal
- Strong red coated steel hand-wheel
- Zinc plated steel top nut
- NPT Female by Female taper threads
- 150 PSI non-shock cold working pressure
- Range: +40°F +200°F temperature.



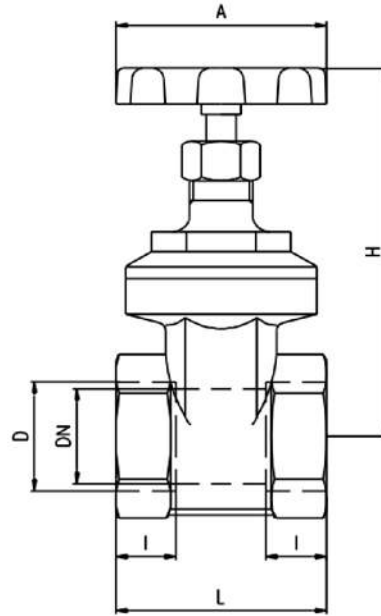
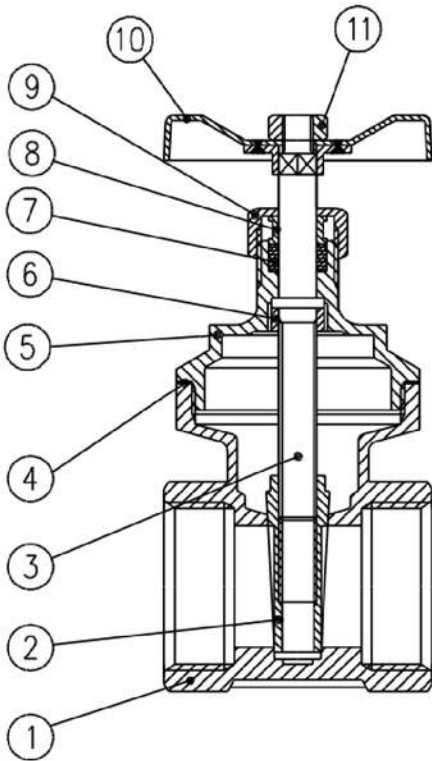
s.112

1/2" - 2"

Hot Forget brass gate valves



Technical Specifications:



The company reserves all rights for the information contained herein. Products may be changed at any time without notice. Any undated reference to a code or standard shall be interpreted as referring to the latest edition.

	Part Description	Q.ty	Material
1	Body	1	CW617N
2	Gate	1	CB754S
3	Seat	1	CW641N
4	Body cap sealing	1	Guarnital Fibre
5	Cap	1	CW617N
6	Stem ring	1	CW614N
7	Packing gland seal	1	EPDM90
8	Packing gland	1	CW614N
9	Packing gland nut	1	CW614N
10	Red round handle	1	Steel
11	Handle nut	1	Steel

Valve Code	102D00	102E00	102F00	102G00	102H00	102I00
D (inch)	1/2	3/4	1	1 1/4	1 1/2	2
DN (inch)	0.531	0.610	0.748	1.062	1.229	1.771
I (inch)	0.354	0.354	0.393	0.939	0.433	0.472
L (inch)	1.377	1.535	1.692	1.889	2.125	2.283
A (inch)	1.771	1.771	1.968	2.165	2.362	2.755
H (inch)	2.677	2.677	3.149	3.385	4.212	5.275

Ask for additional information on the whole range of RuB valves and consult with your supplier for special applications.



5371 12th Avenue East - Shakopee MN 55379-1896 U.S.A.
Ph: +1 (952) 857 1114 - Fax: +1 (952) 857 1118
info@rubinc.com - www.rubinc.com



s.114 NPT 1/2" - 4" heavy pattern brass gate valves



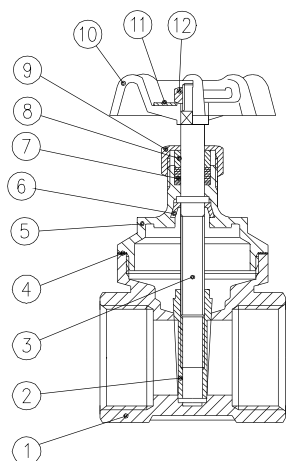
Features and Specifications:

- Suitable for water-works, domestic and agricultural installations
- Finely cast sand blasted heavy brass body
- Low pressure drop
- Non rising stem suitable to most difficult applications
- High performance PTFE stem seal
- Strong cast aluminum hand-wheel
- NPT Female by Female taper threads
- 200 PSI non-shock cold working pressure
- Range: -4°F +350°F temperature

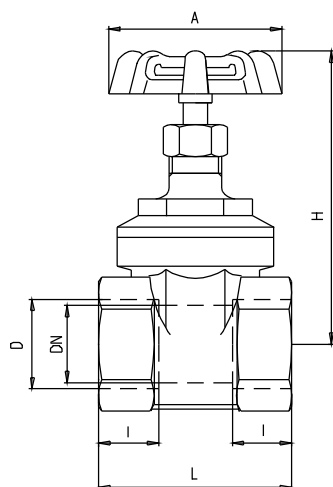


Options:

- s.115 solder end connections.



	PART DESCRIPTION	QTY.	Material
1	Body	1	CW617N
2	Gate	1	CW617N
3	Stem	1	CW617N
4	Body cap sealing	1	Ptfe
5	Cap	1	CW617N
6	Stem ring	1	CW617N
7	Packing gland seal	1	Ptfe
8	Packing gland	1	CW617N
9	Packing gland nut	1	CW617N
10	Red round handle	1	Steel
11	Disc	1	Aluminum
12	Handle nut	1	CW617N



Code	114D41	114E41	114F41	114G41	114H41	114I41	114L41	114M41	114N41
D (inch)	1/2	3/4	1	1 1/4	1 1/2	2	2 1/2	3	4
DN (inch)	0.504	0.669	0.827	1.063	1.339	1.772	2.205	2.667	3.543
I (inch)	0.433	0.492	0.551	0.650	0.709	0.709	0.925	1.063	1.181
L (inch)	1.693	1.772	2.047	2.323	2.480	2.716	3.465	3.740	4.488
A (inch)	2.125	2.125	2.441	2.677	2.677	3.070	3.937	4.331	5.118
H (inch)	2.795	2.992	3.445	3.956	4.370	5.157	6.338	7.421	9.134
PSI	200	200	200	200	200	200	200	200	200



s.115 sweat end 1/2"÷2" heavy pattern brass gate valves



Features and Specifications:

- Suitable for water-works, domestic and agricultural installations
- Finely cast sand blasted heavy brass body
- Low pressure drop
- Non rising stem suitable to most difficult applications
- High performance PTFE stem seal
- Strong cast aluminum hand-wheel
- Solder end connections
- 200 PSI non-shock cold working pressure (for solder joints ratings see Table 1 below)
- Range: -4°F +200°F temperature (for solder joints ratings see Table 1 below)



Options:

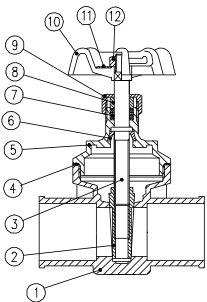
- s.114 NPT Female by Female taper threads.

TABLE 1										
Pressure - Temperature Ratings										
Joining material	melting range (degrees)		working temperature (degrees)		maximum working gauge pressure					
	°F	°C	°F	°C	size 1/2"-1"		size 1 1/4"-2"		size 2 1/2"-4"	
					psi	KPa	psi	KPa	psi	KPa
50-50 tin-lead solder* ASTM B32 alloy grade 50A	361/421	185/215	0/+100	-18/+38	200	1400	175	1200	150	1050
			0/+150	-18/+66	150	1050	125	850	100	700
			0/+200	-18/+93	100	700	90	600	75	500
			0/+250	-18/+121	85	600	75	500	50	350
95-5 tin-antimony solder ASTM B32 alloy grade 95TA	450/464	230/240	0/+100	-18/+38	500	3500	400	2800	300	2100
			0/+150	-18/+66	400	2800	350	2400	275	2000
			0/+200	-18/+93	300	2100	250	1700	200	1400
			0/+250	-18/+121	200	1400	175	1200	150	1050

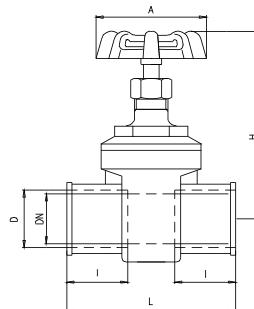
Above stated limits are not imposed by the valve, but by the strength of the soldering joint according to ASME B16.22.

*This alloy contains more than 0.2% lead and, according to certain specifications, cannot be used for potable water or other foods.

Ask for additional information on the whole range of RuB valves and consult with your supplier for special applications.



PART DESCRIPTION	QTY.	Material
1 Body	1	CW617N
2 Gate	1	CW617N
3 Stem	1	CW617N
4 Body cap sealing	1	Ptfe
5 Cap	1	CW617N
6 Stem ring	1	CW617N
7 Packing gland seal	1	Ptfe
8 Packing gland	1	CW617N
9 Packing gland nut	1	CW617N
10 Red round handle	1	Steel
11 Disc	1	Aluminum
12 Handle nut	1	CW617N



Code	115D00	115E00	115F00	115G00	115H00	115I00
D (inch) Nominal	1/2	3/4	1	1 1/4	1 1/2	2
D (inch) actual	0.630	0.878	1.130	1.378	1.630	2.130
DN (inch)	0.500	0.748	1	1.248	1.5	2
I (inch)	0.492	0.748	0.905	0.964	1.102	1.338
L (inch)	1.771	2.362	2.716	3.031	3.386	4.016
A (inch)	2.125	2.125	2.441	2.677	3.071	3.937
H (inch)	2.815	3.130	3.661	4.331	4.862	6.083
PSI	200	200	200	200	200	200

The company reserves all rights for the information contained herein. Products may be changed at any time without notice. Any unlisted reference to a code or standard shall be interpreted as referring to the latest edition. RuB and logo are registered trademarks of RuB-Rubinertne uvenskäre Bonomi. Others logos are property of respective owners.



s.6094 NPT Square Head full port 1.1/4"-1.1/2" hot forged brass ball valves



For heavy duty underground applications, this configuration is the perfect fit.

It features strong body construction with heavy duty ball seats, stainless steel stem and a solid, long square head that allows easy operation when valve is installed underground.

Various optional configuration are available upon request.

Features and Specifications:

- Hot forged sand blasted, unplated brass body and cap sealed with Loctite or equivalent thread sealant
- Finest brass according to EN 12165 and EN 12164 (formerly DIN 17660 and UNI 5705-65) specifications
- Full port to DIN 3357 for maximum flow
- 24h 100% seal test guaranteed
- Pure PTFE self-lubricating seats with flexible-lip design
- Dual sealing system allows valve to be operated in either direction making installation easier
- Chrome plated brass ball for longer life
- No metal-to-metal moving parts
- Blowout-proof Stainless Steel stem
- Two FPM O-rings at the stem for maximum safety
- Square head cap clearly shows ball position
- Silicone-free lubricant on all seals
- NPT taper ANSI B.1.20.1 Female by Male threads,
- 600 PSI non-shock cold working pressure
- Range: -40°F +350°F temperature (Warning: freezing of the fluid in the installation may severely damage the valve).



Upon request:

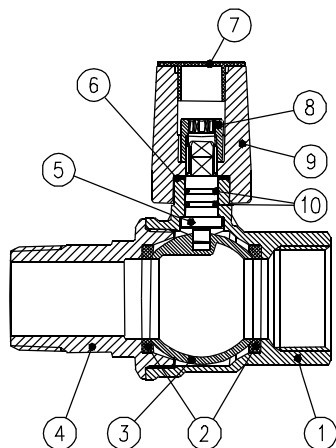
- AISI 316 stainless steel ball
- Glass filled PTFE seats
- Custom design



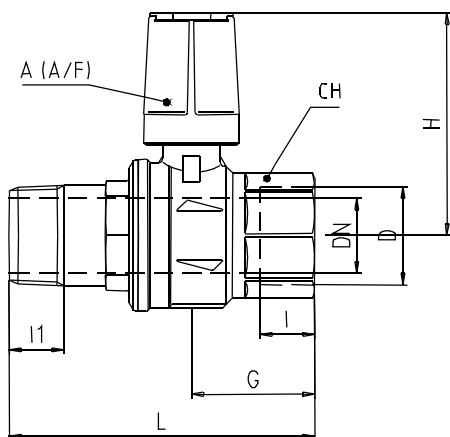
s.6094 NPT Square Head full port 1.1/4"-1.1/2" hot forged brass ball valves



Technical Specifications:



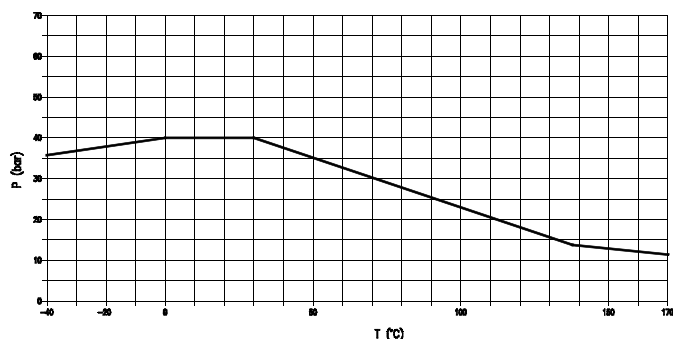
PART DESCRIPTION		Q.ty	Material
1	Unplated NPT body	1	CW617N
2	Seat	2	Ptfe
3	Chrome plated ball	1	CW617N
4	Unplated male NPT end cap	1	CW617N
5	Stainless steel stem O-Ring design	1	AISI 302
6	Washer	1	Ptfe
7	Red cap	1	Nylon
8	Unplated nut	1	CW617N
9	Unplated square head	1	CW617N
10	O-Ring	2	FPM



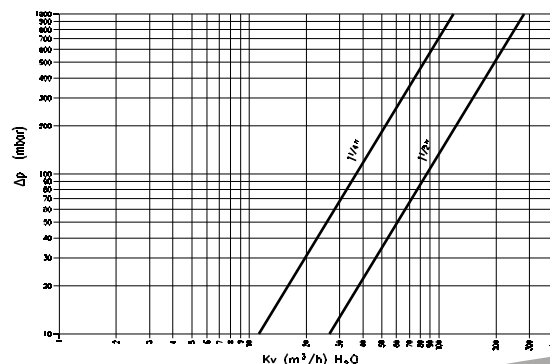
Code	S60G94	S60H94
D (inch)	1.1/4	1.1/2
DN (inch)	0.031	1.575
L1 (inch)	0.905	0.945
I (inch)	0.905	0.964
L (inch)	5.079	5
G (inch)	2.047	2.322
A (inch)	1.181	1.181
H (inch)	3.740	3.996
CH (inch)	1.968	2.165

Ask for additional information on the whole range of RUB valves and consult with your supplier for special applications.

Pressure - Temperature Chart



Pressure Drop Chart



s.55 cap & strap full port 1/4" NPT hot forged brass ball valves



Many HVAC applications require a blowdown valve to drain water from the strainer.

RuB's new s.55 cap & strap valve is designed with a full port for maximum flow.

Because of the o-ring stem seal design, no maintenance is ever required. .

Features and Specifications:

Hot forged sand blasted, unplated brass body and cap sealed with Loctite or equivalent thread sealant

Approved by GOST-R (RU), Hygenic (RU), ROSTEKHNADZOR (RU), UkrSepro (U)

Finest brass according to EN 12165 and EN 12164 (formerly DIN 17660 and UNI 5705-65) specifications

Full port for maximum flow

Each valve is seal tested for maximum safety

Pure PTFE self-lubricating seats with flexible-lip design

Double seal system

Chrome plated brass ball for longer life

No metal-to-metal moving parts

Blowout-proof brass stem with EPDM O-ring

No maintenance ever required

Reinforced nylon black wedge handle removable with valve in service

Handle clearly shows ball position

1/4" NPT taper ANSI B.1.20.1 male thread by 3/4" NH hose thread closed by cap

Silicone-free lubricant on all seals

600 PSI non-shock cold working pressure

-4°F +200°F temperature (+250°F screw driver and wrench operated version).



Options:

1/4" ISO 228 parallel male thread by 3/4" NH hose thread

Screw driver or wrench operated

Seal washer on 1/4" ISO 228 parallel male thread

Nylon wedge handle yellow, red or green

Grey wedge handle in Grivory® - high performing polymer

Additional connection options on demand.

Approved By:



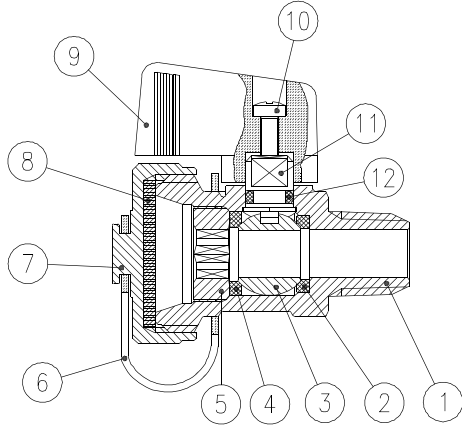
NOTE: Approvals apply to specific configurations only.



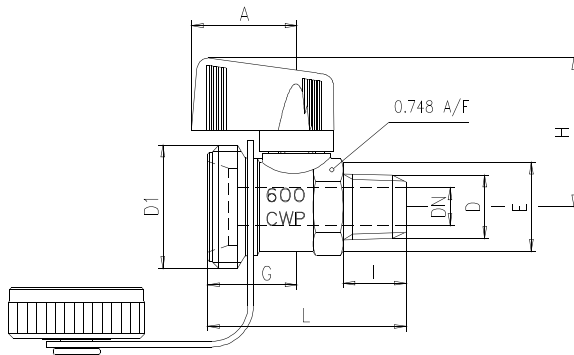
s.55 cap & strap full port 1/4" NPT hot forged brass ball valves



Technical Specifications:



PART DESCRIPTION	Q.ty	Material
1 Unplated body	1	CW617N
2 Body seat	1	Ptfe
3 Chrome plated ball	1	CW617N
4 Retainer seat	1	Ptfe
5 Unplated retainer nut	1	CW617N
6 Black strap	1	Plastic
7 Unplated cap	1	CW617N
8 Seal cap	1	EPDM
9 Black handle	1	Nylon 30% glass filled
10 Zinc plated screw	1	CB4FF
11 Unplated stem	1	CW617N
12 O-Ring	1	EPDM

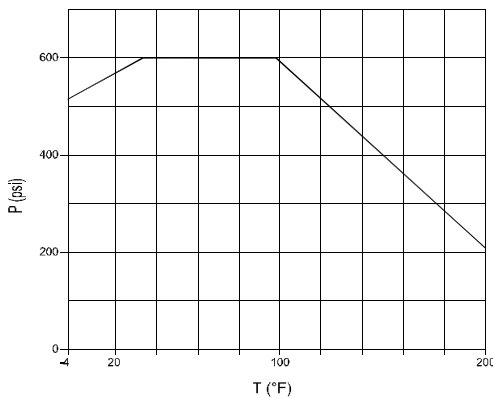


Valve code	S55B42
D (inch)	1/4" NPT
D1 (inch)	3/4"-11.5 NH
DN (inch)	0.315
E (inch)	0.728
I (inch)	0.531
G (inch)	0.752
L (inch)	1.673
A (inch)	0.886
H (inch)	1.260

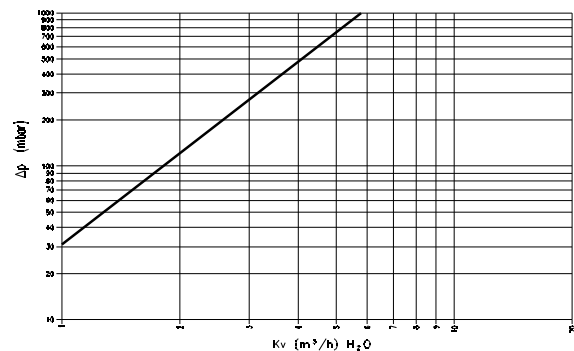
DN shows the nominal flow diameter.

Ask for additional information on the whole range of RUB valves and consult with your supplier for special applications.

Pressure - Temperature Chart



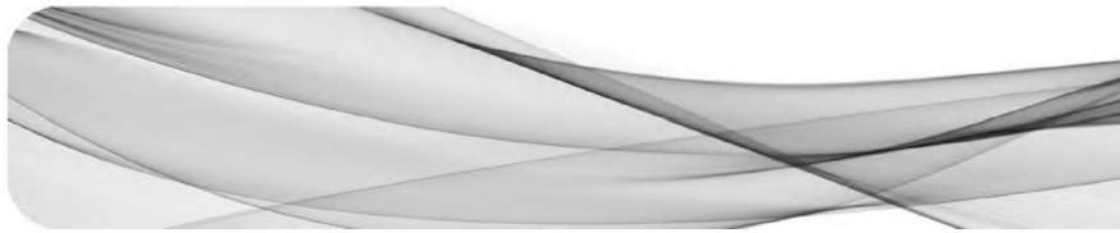
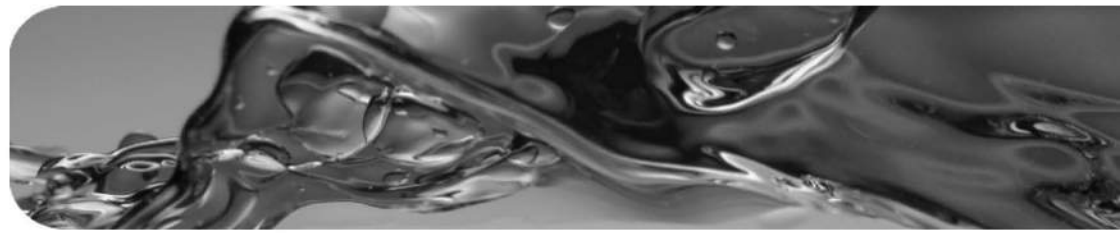
Pressure Drop Chart





WATER





Puri-T 95 full port 1/4"- 2" hot forged brass ball valves



Features and Specifications:

- Hot forged sand blasted, unplated brass body and cap sealed with Loctite or equivalent thread sealant
- Approved by Underwriters Laboratories (UL) and CSA International
- Certified by CSA International, the widely recognized and respected independent certification organization for public health safety
- Full port to DIN 3357 for maximum flow
- 24h 100% seal test guaranteed
- Pure PTFE self-lubricating seats with flexible-lip design
- Dual sealing system allows valve to be operated in either direction making installation easier
- Chrome plated brass ball for longer life
- No metal-to-metal moving parts
- Blowout-proof nickel plated brass stem
- Two FPM O-rings at the stem for maximum safety
- No maintenance ever required
- Handle stops on body to avoid stresses at stem
- Handle removable with valve in service
- Geomet® carbon steel handle with thick PVC dip coating, Handle clearly shows ball position
- NPT taper ANSI B.1.20.1 Female by Female threads
- Silicone-free lubricant on all seals
- 600 PSI non-shock cold working pressure
- Tested and Certified by CSA for drinking water of ambient temperature.



Options:

- Stem extension
- Oval lockable handle
- T-handle
- AISI 430 stainless steel handle
- Patented locking device

Upon request:

- Stainless steel trim (T9539)
- Glass filled PTFE seals
- Custom design.

Certified by:



Drinking Water
NSF/ANSI 61

Approved by:



NOTE: Approvals apply to specific configurations/sizes only.



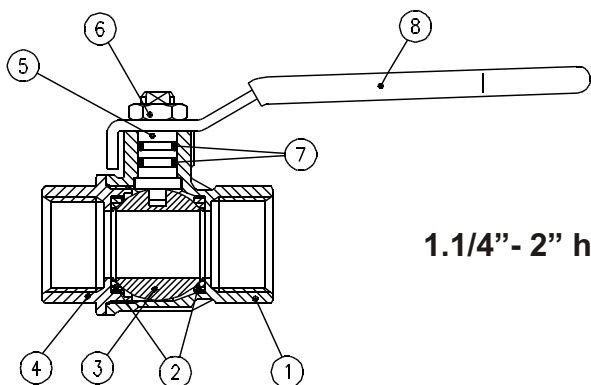
Puri-T 95

full port 1/4" - 2"

hot forged brass ball valves

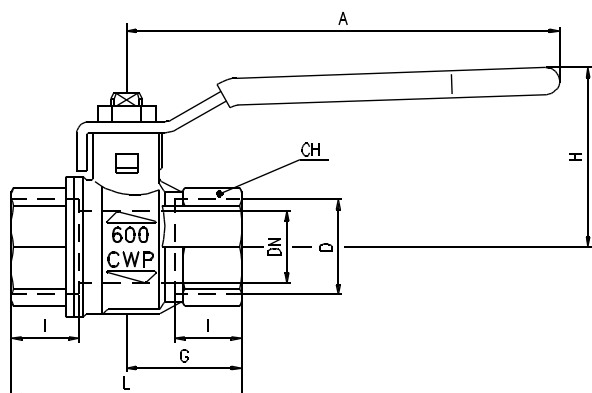


Technical Specifications:



1.1/4" - 2" hollow ball

PART DESCRIPTION	Q.ty	Material	
		T9539	T9541
1 Body	1	BRASS	
2 Seat	2	PTFE	
3 Ball	1	316 S/S	PLATED BRASS
4 End cap	1	BRASS	
5 Stem	1	316 S/S	PLATED BRASS
6 Nut	1	STEEL GEOMET®	
7 Seal	2	FPM	
8 Green handle	1	STEEL GEOMET®	

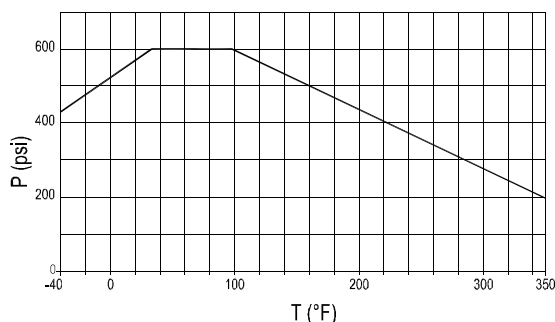


Code	T95B41	T95C41	T95D41	T95E41	T95F41	T95G41	T95H41	T95I41
D (inch)	1/4	3/8	1/2	3/4	1	1 1/4	1 1/2	2
DN (inch)	0.314	0.393	0.590	0.787	0.984	1.259	1.574	1.968
I (inch)	0.472	0.472	0.610	0.669	0.826	0.905	0.905	1.043
L (inch)	1.771	1.771	2.322	2.519	3.188	3.661	4.015	4.763
G (inch)	0.885	0.885	1.161	1.259	1.594	1.830	2.007	2.381
A (inch)	3.228	3.228	3.937	4.724	4.724	6.220	6.220	6.220
H (inch)	1.496	1.496	1.692	1.968	2.125	2.874	3.110	3.385
CH (inch)	0.787	0.787	0.984	1.220	1.574	1.929	2.125	2.696

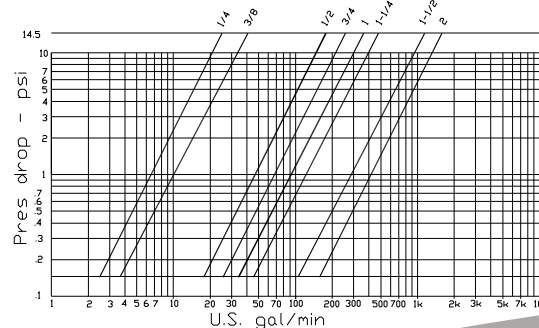
DN shows the nominal flow diameter
 . Actual flow diameter complies with full port DIN 3357 part 4.

Ask for additional information on the whole range of RUB valves
 and consult with your supplier for special applications.

Pressure - Temperature Chart



Pressure Drop Chart



The company reserves all rights for the information contained herein. Products may be changed at any time without notice. Any unlisted references to a code or standard shall be interpreted as referring to the latest edition. RUB and logo are registered trademark of RUB-Produktionsgesellschaften GmbH. Other logos are property of respective owners.

Puri-T 92

full port 1/4" - 2"

hot forged brass ball valves



Features and Specifications:

- Hot forged sand blasted, unplated brass body and cap sealed with Loctite or equivalent thread sealant
- Approved by Underwriters Laboratories (UL) and Canadian Underwriters Laboratories (cUL)
- Certified by CSA International, the widely recognized and respected independent certification organization for public health safety
- Full port to DIN 3357 for maximum flow
- 24h 100% seal test guaranteed
- Glass filled pure PTFE self-lubricating seats with flexible-lip design
- Dual sealing system allows valve to be operated in either direction making installation easier
- Chrome plated brass ball for longer life
- No metal-to-metal moving parts
- Blowout-proof nickel plated brass stem
- Reinforced PTFE adjustable packing gland and washer for lower torque and easy maintenance
- Handle stops on body to avoid stresses at stem
- Handle removable with valve in service
- Geomet® carbon steel handle with thick PVC dip coating
- Handle clearly shows ball position
- NPT taper ANSI B.1.20.1 Female by Female threads
- Silicone-free lubricant on all seals
- 600 PSI non-shock cold working pressure
- Certified by CSA for drinking water of ambient temperature.



Options:

- Stem extension
- Oval lockable handle
- T-handle
- AISI 430 stainless steel handle
- Patented locking device

Upon request:

- Stainless steel trim (T9239)
- Glass filled PTFE seals
- Custom design.

Certified by:



Drinking Water
NSF/ANSI 61

Approved by:



NOTE: Approvals apply to specific configurations/sizes only.



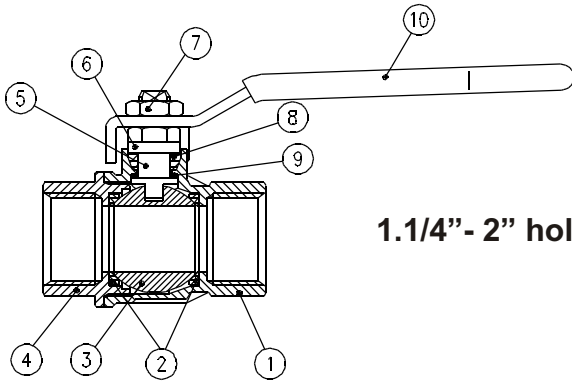
Puri-T 92

full port 1/4" - 2"

hot forged brass ball valves

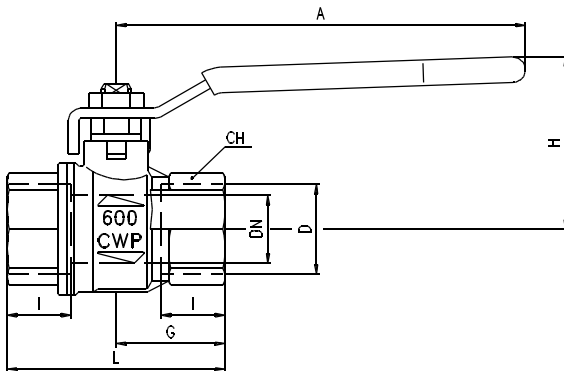


Technical Specifications:



1.1/4" - 2" hollow ball

PART DESCRIPTION	Q.ty	Material	
		T9239	T9241
1 Body	1	BRASS	
2 Seat	2	PTFE GLASS FILLED 5-15%	
3 Ball	1	316 S/S	PLATED BRASS
4 End cap	1	BRASS	
5 Stem	1	316 S/S	PLATED BRASS
6 Gland nut	1	PLATED BRASS	
7 Nut	1	STEEL GEOMET®	
8 Packing gland seal	1	PTFE	
9 Washer	1	PTFE CARBON FILLED 25%	
10 Green handle	1	STEEL GEOMET®	

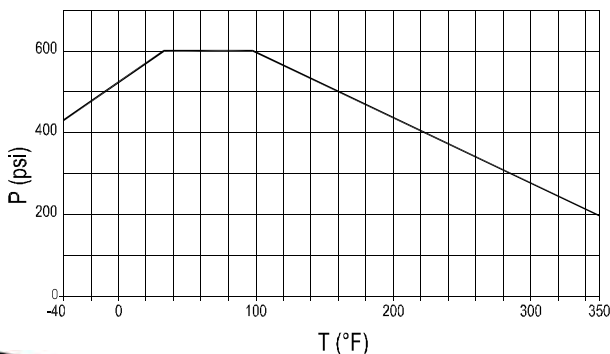


Code	T92B41	T92C41	T92D41	T92E41	T92F41	T92G41	T92H41	T92I41
D (inch)	1/4	3/8	1/2	3/4	1	1 1/4	1 1/2	2
DN (inch)	0.314	0.393	0.590	0.787	0.984	1.259	1.574	1.968
I (inch)	0.472	0.472	0.610	0.669	0.826	0.905	0.905	1.043
L (inch)	1.771	1.771	2.322	2.519	3.188	3.661	4.015	4.763
G (inch)	0.885	0.885	1.161	1.259	1.594	1.830	2.007	2.381
A (inch)	3.228	3.228	3.937	4.724	4.724	6.220	6.220	6.220
H (inch)	1.555	1.555	1.673	1.968	2.125	3.011	3.248	3.523
CH (inch)	0.787	0.787	0.984	1.220	1.574	1.929	2.125	2.696

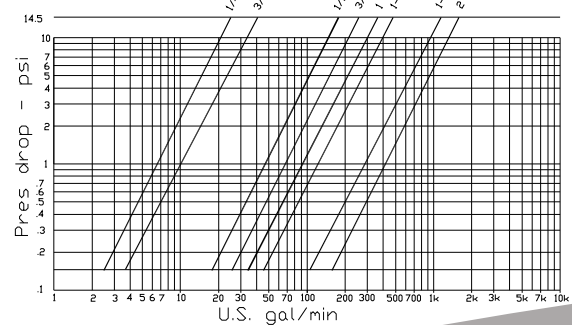
DN shows the nominal flow diameter
 . Actual flow diameter complies with full port DIN 3357 part 4.

Ask for additional information on the whole range of RUB valves
 and consult with your supplier for special applications.

Pressure - Temperature Chart



Pressure Drop Chart



The company reserves all rights for the information contained herein. Products may be changed at any time without notice. Any unlisted references to a code or standard shall be interpreted as referring to the latest edition. RUB and logo are registered trademark of RUB-Produktionsbetriebe Johannes Bronner. Other logos are property of respective owners.

Puri T.292 full port 1/4"- 2" hot forged lead free brass ball valves



Features and Specifications:

- Hot forged sand blasted, unplated lead free brass body and cap sealed with Loctite or equivalent thread sealant
- Certified by CSA International to comply with U.S. s3874, California AB1953, and similar laws of other states for the safe handling of drinking water
- Full port to DIN 3357 for maximum flow
- 24h 100% seal test guaranteed
- Glass filled pure PTFE self-lubricating seats with flexible-lip design
- Dual sealing system allows valve to be operated in either direction making installation easier
- Chrome plated lead free brass ball for longer life
- No metal-to-metal moving parts
- Blowout-proof unplated lead free brass stem
- Reinforced PTFE adjustable packing gland and washer for lower torque and easy maintenance
- Handle stops on body to avoid stresses at stem
- Handle removable with valve in service
- Geomet® carbon steel handle with thick PVC dip coating
- Handle clearly shows ball position
- NPT taper ANSI B.1.20.1 Female by Female threads
- Silicone-free lubricant on all seals
- 600 PSI non-shock cold working pressure



All surfaces of this product in contact with drinking water contain less than 0.25% of lead in compliance with U.S. Law

Options:

- Stem extension
- Oval lockable handle
- T-Handle
- AISI 430 stainless steel handle
- Patented locking device

Options:Upon Request:

- Pure PTFE seals
- Custom design.

Certified By:



Drinking Water
NSF/ANSI 61- G

NOTE: Approvals apply to specific configurations/sizes only.



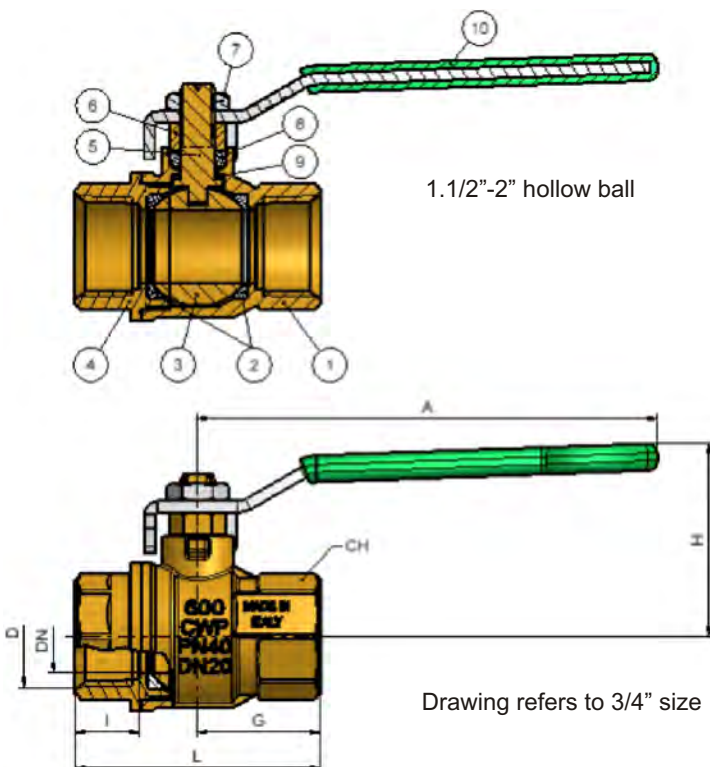
Puri T.292

full port 1/4" - 2"

hot forged lead free brass ball valves



Technical Specifications:



1.1/2"-2" hollow ball

Drawing refers to 3/4" size

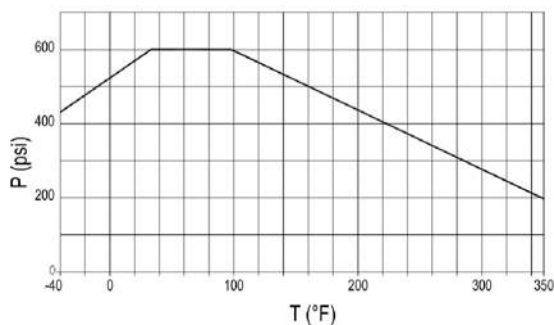
PART DESCRIPTION	Q.ty	Material
1 Unplated NPT body	1	LEAD FREE BRASS
2 Seat	2	PTFE GLASS FILLED 15%
3 Chrome plated ball	1	LEAD FREE BRASS
4 Unplated NPT end cap	1	LEAD FREE BRASS
5 Unplated stem packing gland design	1	LEAD FREE BRASS
6 Nickel plated gland nut	1	BRASS
7 Geomet®nut	1	CB4FF
8 Packing gland seal	1	PTFE
9 Thrust washer	1	PTFE CARBON FILLED 25%
10 Green PVC coated geomet®steel handle	1	DD11

Code	T292B41	T292C41	T292D41	T292E41	T292F41	T292G41	T292H41	T292I41
D (inch)	1/4	3/8	1/2	3/4	1	1 1/4	1 1/2	2
DN (inch)	0.314	0.393	0.590	0.787	0.984	1.259	1.574	1.968
I (inch)	0.472	0.472	0.610	0.669	0.826	0.905	0.905	1.043
L (inch)	1.771	1.771	2.322	2.519	3.188	3.661	4.015	4.763
G (inch)	0.885	0.885	1.161	1.259	1.594	1.830	2.007	2.381
A (inch)	3.228	3.228	3.937	4.724	4.724	6.220	6.220	6.220
H (inch)	1.563	1.563	1.695	1.988	2.153	2.988	3.236	3.500
CH (inch)	0.787	0.787	0.984	1.220	1.574	1.929	2.125	2.696

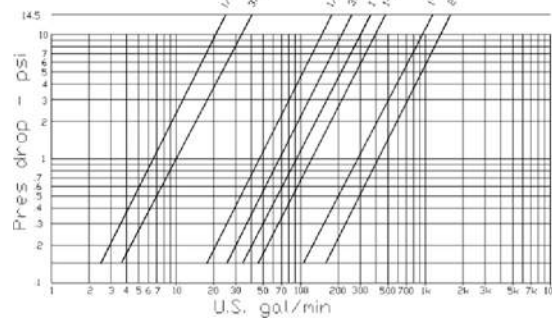
DN shows the nominal flow diameter.
Actual flow diameter complies with full port DIN 3357 part 4.

Ask for additional information on the whole range of RuB valves and consult with your supplier for special applications.

Pressure - Temperature Chart



Pressure Drop Chart



The company reserves all rights for the information contained herein. Products may be changed at any time without notice. Any unaltered reference to a code or standard shall be interpreted as referring to the latest edition. RuB and logo are registered trademarks of RuB-Rubintiere transilvaniae S.p.A.

Puri-T 42

full port 1/2" - 2"

hot forged brass ball valves



Features and Specifications:

- Hot forged sand blasted, unplated brass body and cap sealed with Loctite or equivalent thread sealant
- Approved by Underwriters Laboratories (UL) and Canadian Underwriters Laboratories (cUL)
- Certified by CSA International, the widely recognized and respected independent certification organization for public health safety
- Full port to DIN 3357 for maximum flow
- 24h 100% seal test guaranteed
- Pure PTFE self-lubricating seats with flexible-lip design
- Dual sealing system allows valve to be operated in either direction making installation easier
- Chrome plated brass ball for longer life
- No metal-to-metal moving parts
- Blowout-proof nickel plated brass stem
- Pure PTFE adjustable packing gland and reinforced washer for lower torque and easy maintenance
- Handle stops on body to avoid stresses at stem
- Handle removable with valve in service
- Geomet® carbon steel handle with thick PVC dip coating
- Handle clearly shows ball position
- Solder end Female by Female connections
- Silicone-free lubricant on all seals
- 600 PSI non-shock cold working pressure, (for solder joints ratings see Table 1 below)
- Certified by CSA for drinking water of ambient temperature.



Options:

- Stem extension (Assemble after soldering)
- Oval lockable handle
- AISI 430 stainless steel handle
- Patented locking device

Upon request:

- Stainless steel trim (T4239)
- Glass filled PTFE seals
- Custom design.

Certified by:



Drinking Water
NSF/ANSI 61

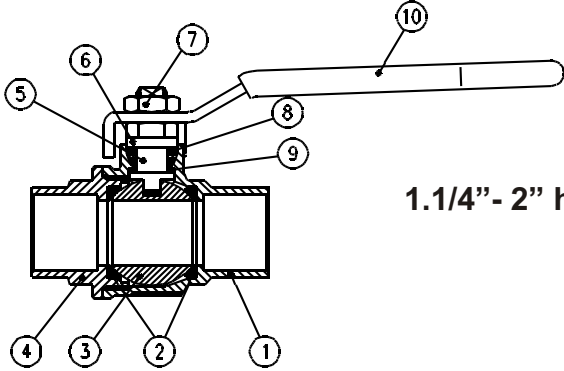
Approved by:



NOTE: Approvals apply to specific configurations/sizes only.

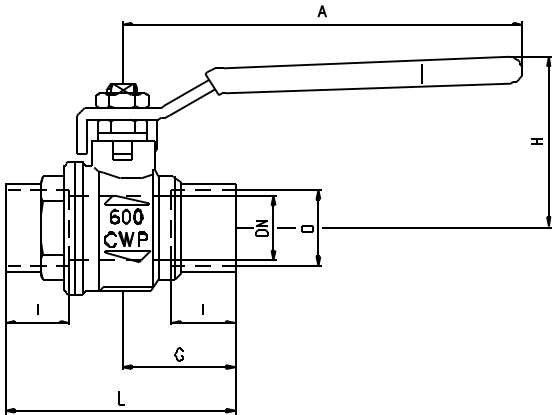


Technical Specifications:



1.1/4"- 2" hollow ball

PART DESCRIPTION		Q.ty	Material	
			T4239	T4241
1	Body	1	BRASS	
2	Seat	2	PTFE	
3	Ball	1	316 S/S	PLATED BRASS
4	End cap	1	BRASS	
5	Stem	1	316 S/S	PLATED BRASS
6	Gland nut	1	PLATED BRASS	
7	Nut	1	STEEL GEOMET®	
8	Packing gland seal	1	PTFE	
9	Washer	1	PTFE CARBON FILLED 25%	
10	Green handle	1	STEEL GEOMET®	



Code		T42D00	T42E00	T42F00	T42G00	T42H00	T42I00
D (inch)	Nominal	1/2	3/4	1	1 1/4	1 1/2	2
	actual	0.6271	0.8771	1.1279	1.3779	1.6279	2.1279
DN (inch)		0.590	0.787	0.984	1.259	1.574	1.968
I (inch)		0.492	0.748	0.905	0.964	1.102	1.338
L (inch)		2.244	2.854	3.346	3.819	4.488	5.433
G (inch)		1.181	1.476	1.673	1.909	2.244	2.716
A (inch)		3.937	4.724	4.724	6.220	6.220	6.220
H (inch)		1.695	1.988	2.153	2.988	3.236	3.500

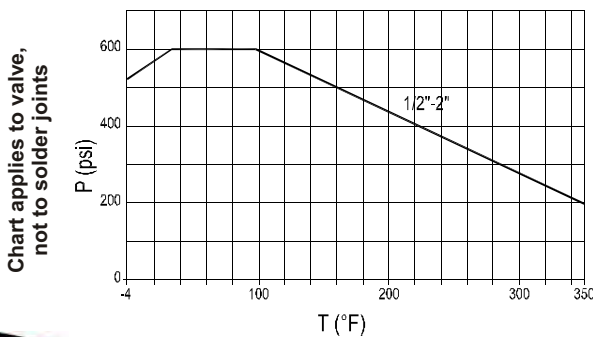
Joining material	melting range degrees		working temperature degrees		maximum working gauge pressure					
	°F	°C	°F	°C	size 1/2"-1"		size 1.1/4"-2"		size 2.1/2"-4"	
					psi	kPa	psi	kPa	psi	kPa
50-50 tin-lead solder* ASTM B32 alloy grade 50A	361/421	185/215	0/+100	-18/+38	200	1400	175	1200	150	1050
			0/+150	-18/+66	150	1050	125	850	100	700
			0/+200	-18/+93	100	700	90	600	75	500
95-5 tin-antimony solder ASTM B32 alloy grade 95TA	450/464	230/240	0/+100	-18/+38	500	3500	400	2800	300	2100
			0/+150	-18/+66	400	2800	350	2400	275	2000
			0/+200	-18/+93	300	2100	250	1700	200	1400
			0/+250	-18/+121	200	1400	175	1200	150	1050

Above stated limits are not imposed by the valve, but by the strength of the soldering joint according to ASME B16.22.
*Warning-This alloy contains more than 0.2% lead and, according to certain specifications, cannot be used for potable water or other foods.

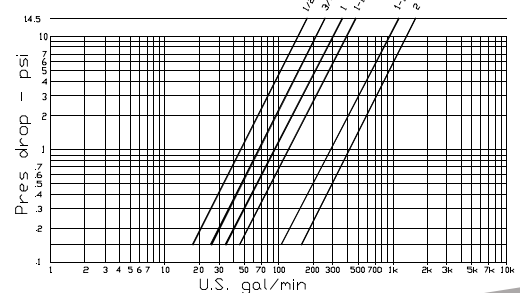
DN shows the nominal flow diameter
. Actual flow diameter complies with full port DIN 3357 part 4.

Ask for additional information on the whole range of RuB valves and consult with your supplier for special applications.

Pressure - Temperature Chart



Pressure Drop Chart



Puri T.242 full port 1/2" - 2" hot forged lead free brass ball valves



Features and Specifications:

- Hot forged sand blasted, unplated lead free brass body and cap sealed with Loctite or equivalent thread sealant
- Certified by CSA International to comply with U.S. s3874, California AB1953, and similar laws of other states for the safe handling of drinking water
- Full port to DIN 3357 for maximum flow
- 24h 100% seal test guaranteed
- Pure PTFE self-lubricating seats with flexible-lip design
- Dual sealing system allows valve to be operated in either direction making installation easier
- Chrome plated lead free brass ball for longer life
- No metal-to-metal moving parts
- Blowout-proof unplated lead free brass stem
- Pure PTFE adjustable packing gland and reinforced washer for lower torque and easy maintenance
- Handle stops on body to avoid stresses at stem
- Handle removable with valve in service
- Geomet® carbon steel handle with thick PVC dip coating
- Handle clearly shows ball position
- Solder end ANSI B16.18 Female by Female connections
- Silicone-free lubricant on all seals
- 600 PSI non-shock cold working pressure, (for solder joints ratings see Table 1 below)



All surfaces of this product in contact with drinking water contain less than 0.25% of lead in compliance with U.S. Law

Options:

- Stem extension (Assemble after soldering)
- Oval lockable handle
- AISI 430 stainless steel handle
- Patented locking device

Upon Request:

- Glass filled PTFE seals
- Custom design.

Certified By:

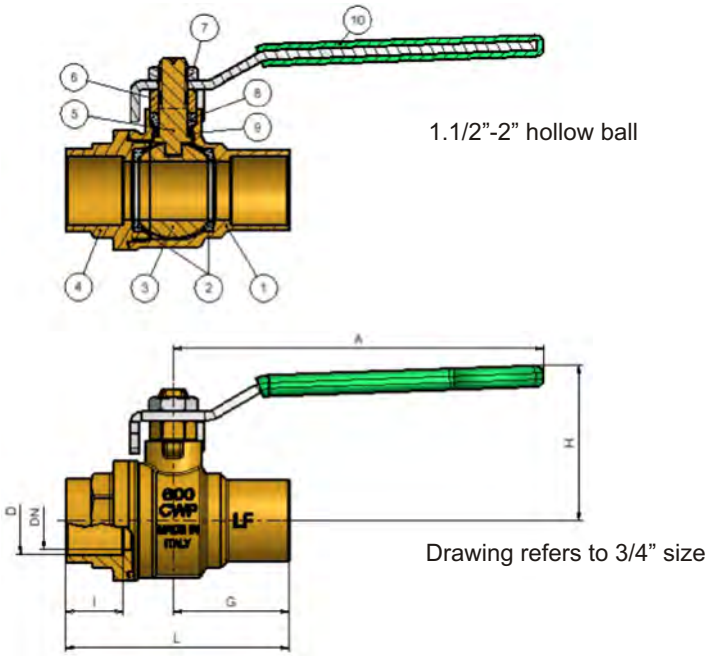


Drinking Water
NSF/ANSI 61- G

NOTE: Approvals apply to specific configurations/sizes only.



Technical Specifications:



PART DESCRIPTION	Q.ty	Material
1 Unplated solder end body	1	LEAD FREE BRASS
2 Seat	2	PTFE
3 Chrome plated ball	1	LEAD FREE BRASS
4 Unplated solder end cap	1	LEAD FREE BRASS
5 Unplated stem packing gland design	1	LEAD FREE BRASS
6 Nickel plated gland nut	1	BRASS
7 Geomet® nut	1	CB4FF
8 Packing gland seal	1	PTFE
9 Thrust washer	1	PTFE CARBON FILLED 25%
10 Green PVC coated geomet® steel handle	1	DD11

Code	T242D00	T242E00	T242F00	T242G00	T242H00	T242I00	
D(inch)	Nominal	1/2	3/4	1	1 1/4	1 1/2	2
	actual	0.6271	0.8771	1.1279	1.3779	1.6279	2.1279
DN(inch)		0.590	0.787	0.984	1.259	1.574	1.968
I (inch)		0.492	0.748	0.905	0.964	1.102	1.338
L (inch)		2.244	2.854	3.346	3.819	4.488	5.433
G (inch)		1.181	1.476	1.673	1.909	2.244	2.716
A (inch)		3.937	4.724	4.724	6.220	6.220	6.220
H (inch)		1.695	1.988	2.153	2.988	3.236	3.500

Joining material	melting range degrees		working temperature degrees		maximum working gauge pressure					
	°F	°C	°F	°C	size 1/2"-1"		size 1.1/4"-2"		size 2.1/2"-4"	
					psi	kPa	psi	kPa	psi	kPa
50-50 tin-lead solder ASTM B32 alloy grade 50A	361/421	185/215	0/+100	-18/+38	200	1400	175	1200	150	1050
			0/+150	-18/+66	150	1050	125	850	100	700
			0/+200	-18/+93	100	700	90	600	75	500
95-5 tin-antimony solder ASTM B32 alloy grade 95TA	450/464	230/240	0/+250	-18/+121	85	600	75	500	50	350
			0/+100	-18/+38	500	3500	400	2800	300	2100
			0/+150	-18/+66	400	2800	350	2400	275	2000
			0/+200	-18/+93	300	2100	250	1700	200	1400
			0/+250	-18/+121	200	1400	175	1200	150	1050

Warning - This soldering alloy contains more than 0.2% lead and, according to certain specifications, cannot be used for potable water or other foods.

Limits are not imposed by the valve, but by the strength of the soldering joint according to ASME B16.22

DN shows the nominal flow diameter.
Actual flow diameter complies with full port DIN 3357 part 4.

Ask for additional information on the whole range of RuB valves and consult with your supplier for special applications.

Pressure - Temperature Chart

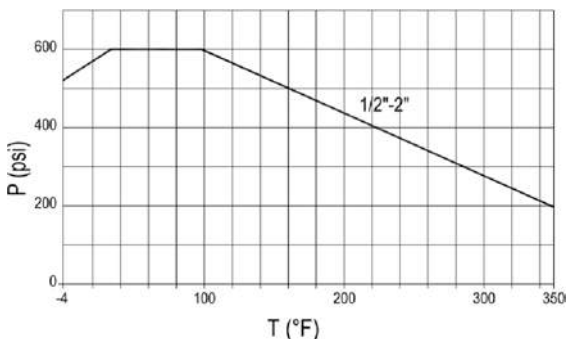
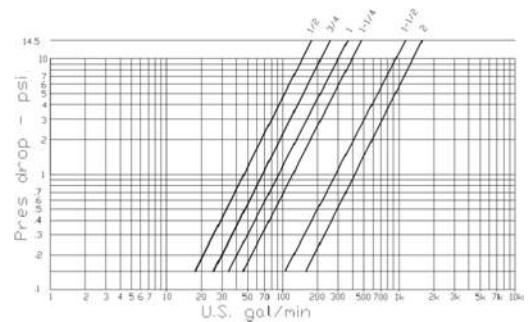


Chart Applies to valve, not to solder joints

Pressure Drop Chart



Puri-T 6439 Actuator Mounting full port 1/2" - 2" hot forged brass ball valves



More and more automation is required at all levels in our society and the s.64 RuB range is the answer to all needs for reliable actuated ball valve.

It features special seat design to automatically compensate for wear and it has successfully passed 100,000 cycle life tests.

You can purchase the valve alone or with the RuB actuator already mounted.

Features and Specifications:

- Hot forged sand blasted, unplated brass body and cap sealed with Loctite or equivalent thread sealant
- Certified by CSA International, the widely recognized and respected independent certification organization for public health safety
- ISO 5211 and DIN 3337 mounting flange for universal connection to actuator
- 100% full port for maximum flow
- 24h 100% seal test guaranteed
- Reinforced PTFE self-lubricating seats with flexible-lip and wear compensation design
- Dual sealing system allows valve to be operated in either direction making installation easier
- Stainless steel solid ball
- No metal-to-metal moving parts
- Especially designed blowout-proof stainless steel stem
- Two FPM O-rings at the stem for maximum safety
- No maintenance ever required
- NPT taper ANSI B.1.20.1 Female by Female threads
- Silicone-free lubricant on all seals



Options:

- Brass trim (T.6441)
- Special valve configurations available upon request
- Rack and pinion pneumatic actuator (spring return or double acting).

Certified By:



Drinking Water
NSF/ANSI 61

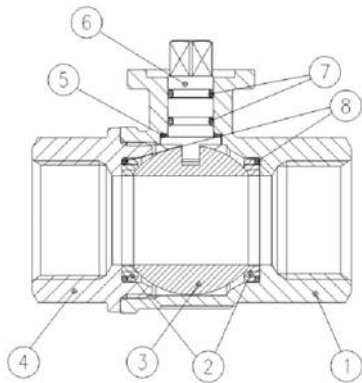
NOTE: Approvals apply to specific configurations/sizes only.



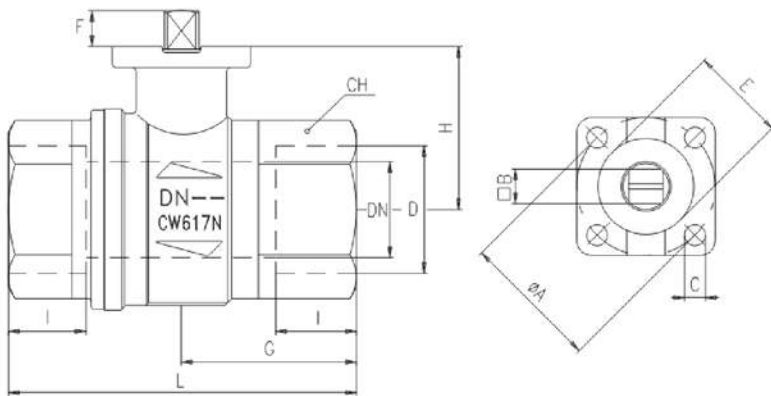
RuB Electric and Pneumatic Actuator



Technical Specifications:



PART DESCRIPTION		Q.ty	Material
1	Body	1	BRASS
2	Seat	2	PTFE GRAPHITE FILLED 15%
3	Ball	1	316 S/S
4	End cap	1	BRASS
5	Washer	1	PTFE CARBON FILLED 25%
6	Stem	1	316 S/S
7	Seal	2	FPM
8	Seal	2	FPM



Code	T64D39	T64E39	T64F39	T64G39	T64H39	T64I39
D (inch)	1/2	3/4	1	1 1/4	1 1/2	2
DN (inch)	0.590	0.787	0.984	1.259	1.575	1.968
I (inch)	0.610	0.708	0.826	0.905	0.964	1.043
L (inch)	2.598	2.933	3.562	4.094	4.606	5.314
G (inch)	1.201	1.456	1.791	2.047	2.322	2.657
H (inch)	1.220	1.515	1.673	2.185	2.441	2.716
CH (inch)	1.063	1.259	1.614	1.968	2.165	2.756
ØA (inch)	1.417	1.417	1.417	1.968	1.968	1.968
□B (inch)	0.354	0.354	0.354	0.551	0.551	0.551
C (inch)	0.220	0.220	0.220	0.259	0.259	0.259
E (inch)	0.984	0.984	0.984	1.378	1.378	1.378
F (inch)	0.295	0.334	0.334	0.570	0.570	0.570
Flange connection DIN ISO 5211 DIN 3337	F03	F03	F03	F05	F05	F05

Ask for additional information on the whole range of RuB valves and consult with your supplier for special applications.

Torque for Actuator Sizing in - lb

Delta P →	0 ÷ 200 PSI		600 PSI	
	To open	To close	To open	To close
1/2"	25	15	25	15
3/4"	33	20	33	20
1"	62	37	62	37
1.1/4"	104	111	121	111
1.1/2"	220	180	273	180
2"	262	222	327	222

Torque correction factors

Valve torque can vary according to operating frequency, temperature, and friction characteristics of the media. If media has more or less friction than water, multiply torque by the following factors.

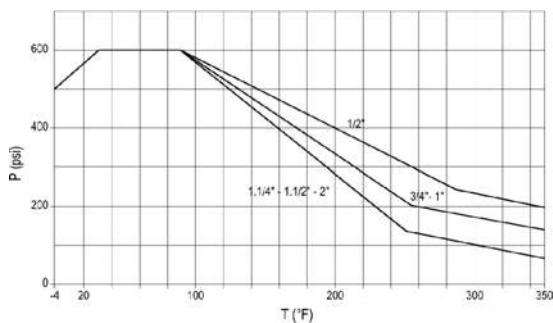
Lubricating oils or liquids 0.8

Dry gases, natural gas, superheated steam 1.5

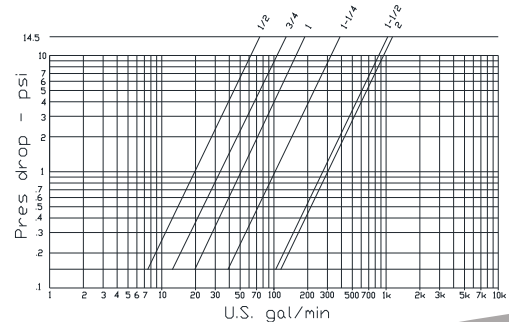
Slurries or liquids bearing abrasive particles 1.5÷2.5

For other conditions please inquire of your RuB representative or distributor.

Pressure - Temperature Chart



Pressure Drop Chart



The company reserves all rights for the information contained herein. Products may be changed at any time without notice. Any undated reference to a code or standard shall be interpreted as referring to the latest edition. RuB and logo are registered trademarks of RuB-Rubinetterie utensilerie Bonomi. Others logos are property of respective owners.

Puri-T 6441

Actuator Mounting

full port 1/2" - 2"

hot forged brass ball valves



More and more automation is required at all levels in our society and the s.64 RuB range is the answer to all needs for reliable actuated ball valve.

It features special seat design to automatically compensate for wear and it has successfully passed 100,000 cycle life tests.

You can purchase the valve alone or with the RuB actuator already mounted.

Features and Specifications:

- Hot forged sand blasted, unplated brass body and cap sealed with Loctite or equivalent thread sealant
- Certified by CSA International, the widely recognized and respected independent certification organization for public health safety
- ISO 5211 and DIN 3337 mounting flange for universal connection to actuator
- 100% full port for maximum flow
- 24h 100% seal test guaranteed
- Reinforced PTFE self-lubricating seats with flexible-lip and wear compensation design
- Dual sealing system allows valve to be operated in either direction making installation easier
- Chrome plated solid brass ball
- No metal-to-metal moving parts
- Nickel plated blowout-proof brass stem
- Two FPM O-rings at the stem for maximum safety,
- No maintenance ever required
- NPT taper ANSI B.1.20.1 Female by Female threads
- Silicone-free lubricant on all seals



Options:

- Brass trim (T.6439)
- Special valve configurations available upon request
- Rack and pinion pneumatic actuator (spring return or double acting)

Certified By:



Drinking Water
NSF/ANSI 61

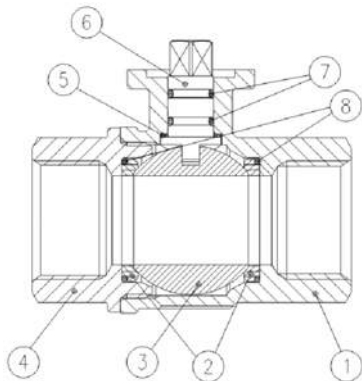
NOTE: Approvals apply to specific configurations/sizes only.



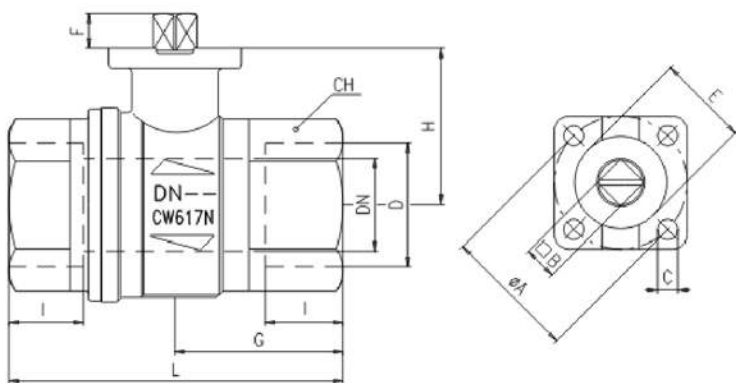
RuB Electric and Pneumatic Actuator



Technical Specifications:



PART DESCRIPTION		Q.ty	Material
1	Body	1	BRASS
2	Seat	2	PTFE GRAPHITE FILLED 15%
3	Ball	1	PLATED BRASS
4	End cap	1	BRASS
5	Washer	1	PTFE CARBON FILLED 25%
6	Stem	1	PLATED BRASS
7	Seal	2	FPM
8	Seal	2	FPM



Code	T64D41	T64E41	T64F41	T64G41	T64H41	T64I41
D (inch)	1/2	3/4	1	1 1/4	1 1/2	2
DN (inch)	0.590	0.787	0.984	1.259	1.575	1.968
I (inch)	0.610	0.708	0.826	0.905	0.964	1.043
L (inch)	2.598	2.933	3.562	4.094	4.606	5.314
G (inch)	1.201	1.456	1.791	2.047	2.322	2.657
H (inch)	1.220	1.515	1.673	2.185	2.441	2.716
CH (inch)	1.063	1.259	1.614	1.968	2.165	2.756
ØA (inch)	1.417	1.417	1.417	1.968	1.968	1.968
□B (inch)	0.354	0.354	0.354	0.551	0.551	0.551
C (inch)	0.220	0.220	0.220	0.259	0.259	0.259
E (inch)	0.984	0.984	0.984	1.378	1.378	1.378
F (inch)	0.295	0.334	0.334	0.570	0.570	0.570
Flange connection DIN ISO 5211 DIN 3337	F03	F03	F03	F05	F05	F05

Ask for additional information on the whole range of RuB valves and consult with your supplier for special applications.

Torque for Actuator Sizing in - lb

Delta P →	0 ÷ 200 PSI		600 PSI	
	To open	To close	To open	To close
1/2"	25	15	25	15
3/4"	33	20	33	20
1"	62	37	62	37
1.1/4"	104	111	121	111
1.1/2"	220	180	273	180
2"	262	222	327	222

Torque correction factors

Valve torque can vary according to operating frequency, temperature, and friction characteristics of the media. If media has more or less friction than water, multiply torque by the following factors.

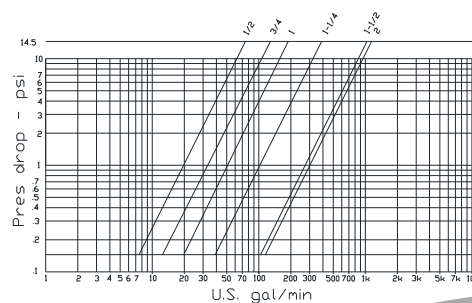
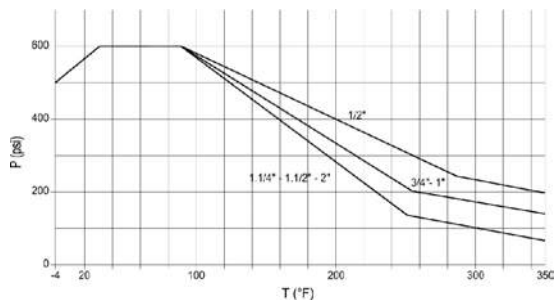
Lubricating oils or liquids 0.8

Dry gases, natural gas, superheated steam 1.5

Slurries or liquids bearing abrasive particles 1.5÷2.5

For other conditions please inquire of your RuB representative or distributor.

Pressure Drop Chart



Puri T.35 mini 1/8" - 1/2" drawn brass ball valves



Features and Specifications:

- Patent n. 7011-B/89
- One piece drawn sand blasted brass body with extremely compact design
- Certified by CSA international, the widely recognized and respected independent certification organization for public health safety,
- 100% seal tested guaranteed
- Pure PTFE self-lubricating seats with flexible-lip design
- Dual sealing system allows valve to be operated in either direction making installation easier
- Chrome plated brass ball for longer life
- No metal-to-metal moving parts
- No maintenance ever required
- Blowout-proof brass stem with FPM O-ring
- Reinforced nylon green wedge handle removable with valve in service
- Handle/stem clearly show ball position
- NPT taper ANSI B.1.20.1 Female by Female threads
- Silicone-free lubricant
- 450 PSI non-shock cold working pressure



Options:

- Unplated body
- Male by Female threads
- ISO 228 parallel threads
- Black or yellow wedge handle
- Screw driver or wrench operated

Certified By:



Drinking Water
NSF/ANSI 61

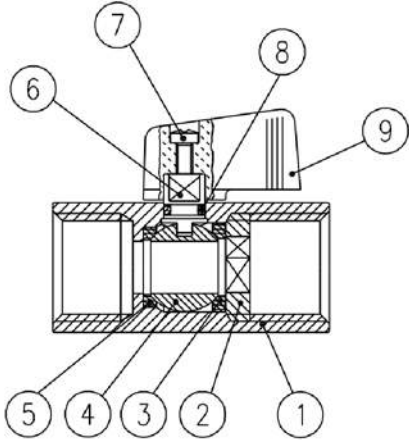
NOTE: Approvals apply to specific configurations/sizes only.



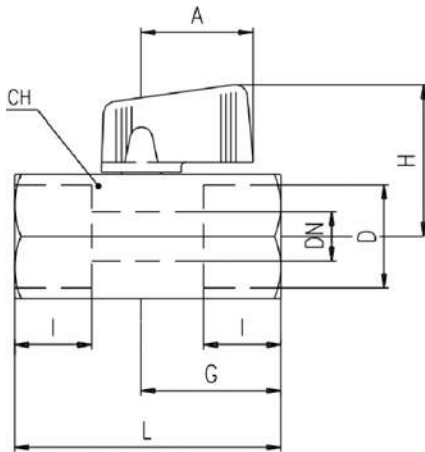
Puri T.35 mini 1/8" - 1/2" drawn brass ball valves



Technical Specifications:



PART DESCRIPTION		Q.ty	Material
1	Plated body	1	BRASS
2	Retainer nut	1	BRASS
3	Retainer seat	1	Ptfe
4	Plated ball	1	BRASS
5	Body seat	1	Ptfe
6	Unplated stem	1	BRASS
7	Plated screw	1	STEEL
8	O-Ring	1	FPM
9	Green handle	1	Nylon glass filled 30%

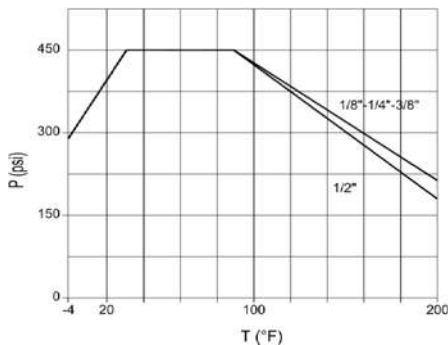


Code	T35AX0	T35BX0	T35CX0	T35DX0
D (inch)	1/8	1/4	3/8	1/2
DN(inch)	0.236	0.314	0.314	0.393
I (inch)	0.354	0.472	0.472	0.610
L (inch)	1.712	1.712	1.712	2.106
G (inch)	0.905	0.905	0.905	1.102
A (inch)	0.885	0.885	0.885	0.885
H (inch)	1.220	1.220	1.220	1.299
CH(inch)	0.826	0.826	0.826	0.984

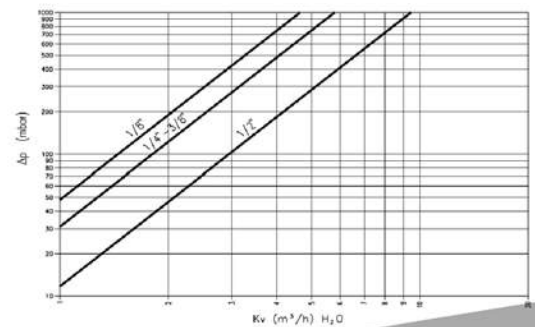
DN shows the nominal flow diameter.

Ask for additional information on the whole range of RuB valves and consult with your supplier for special applications.

Pressure - Temperature Chart



Pressure Drop Chart

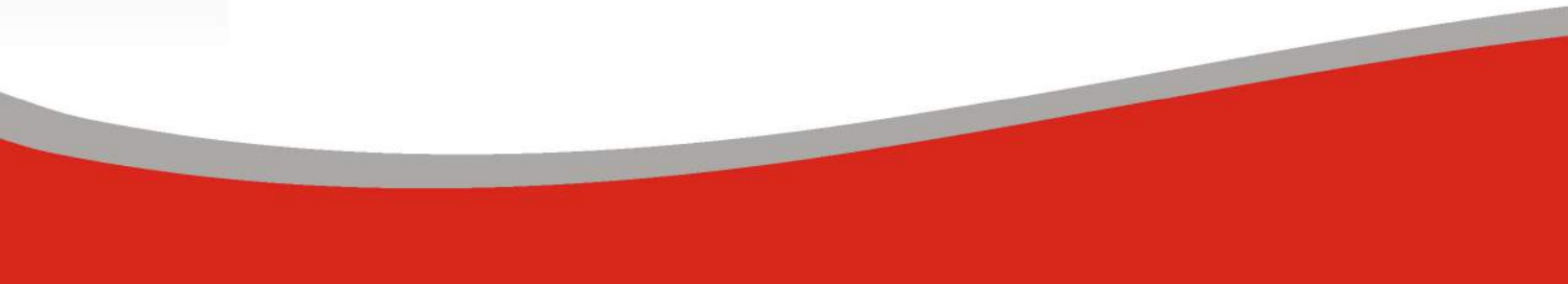
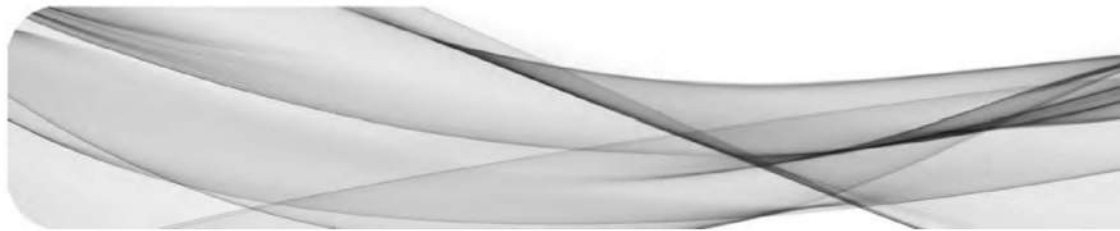
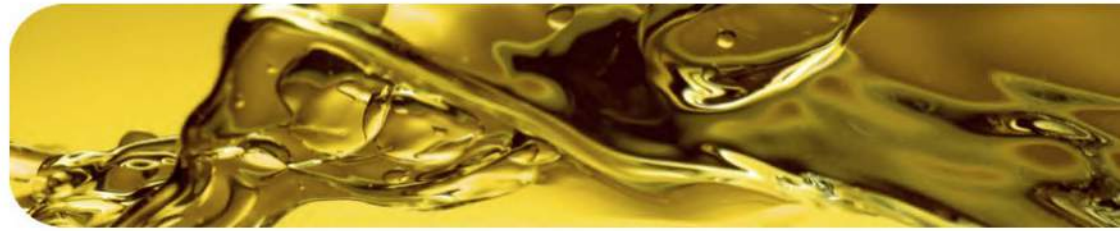


The company reserves all rights for this information contained herein. Products may be changed at any time without notice. Any unrelated reference to a code or standard shall be interpreted as referring to the latest edition. RuB and logo are registered trademark of RuB-Rubnetzele utansiere Bonom. Others logos are property of respective owners.



INDUSTRY





s.6439 NPT Actuator Mounting full port 1/2" - 2" hot forged brass ball valves



More and more automation is required at all levels in our society and the s.64 RuB range is the answer to all needs for reliable actuated ball valve.

It features special seat design to automatically compensate for wear and it has successfully passed 100,000 cycle life tests.

You can purchase the valve alone or with the RuB actuator already mounted.

Features and Specifications:

- Hot forged sand blasted, unplated brass body and cap sealed with Loctite or equivalent thread sealant
- Finest brass according to EN 12165 and EN 12164 (formerly DIN 17660 and UNI 5705-65) specifications
- ISO 5211 and DIN 3337 mounting flange for universal connection to actuator
- 100% full port for maximum flow
- 24h 100% seal test guaranteed
- Reinforced PTFE self-lubricating seats with flexible-lip and wear compensation design
- Dual sealing system allows valve to be operated in either direction making installation easier
- Stainless steel solid ball
- No metal-to-metal moving parts
- Especially designed blowout-proof stainless steel stem
- Two FPM O-rings at the stem for maximum safety
- No maintenance ever required
- NPT taper ANSI B.1.20.1 Female by Female threads
- Silicone-free lubricant on all seals
- 600 PSI non-shock cold working pressure
- Range: -4°F +350°F temperature



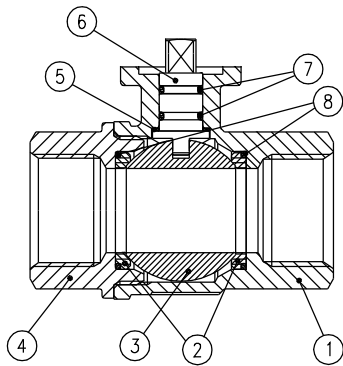
Options:

- Brass trim (s.6441)
- Special valve configurations available upon request
- Configurations for use with slurries or liquids bearing abrasive particles
- k.64 configuration featuring EN 10226-1, ISO 228 parallel Female by Female threads, plated body, valve length according to DIN 3357 specification, pure Teflon seats
- Rack and pinion pneumatic actuator (spring return or double acting).

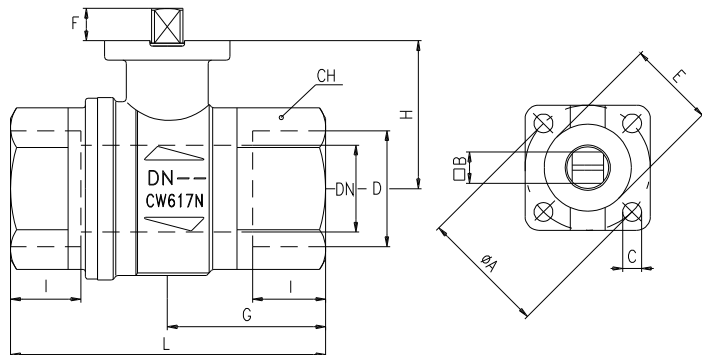
RuB Electric and Pneumatic Actuator



Technical Specifications:



PART DESCRIPTION	Q.ty	Material
1 Unplated body	1	CW617N
2 Ball seat	2	Ptfe graphite filled 15%
3 Stainless steel ball	1	AISI316
4 Unplated end cap	1	CW617N
5 Washer	1	Ptfe carbon filled 25%
6 Stainless steel stem O-Ring design	1	AISI316
7 O-Ring	2	FPM
8 O-Ring	2	FPM



Code	S64D39	S64E39	S64F39	S64G39	S64H39	S64I39
D (inch)	1/2	3/4	1	1 1/4	1 1/2	2
DN (inch)	0.590	0.787	0.984	1.259	1.575	1.968
I (inch)	0.610	0.708	0.826	0.905	0.964	1.043
L (inch)	2.598	2.933	3.562	4.094	4.606	5.314
G (inch)	1.201	1.456	1.791	2.047	2.322	2.657
H (inch)	1.220	1.515	1.673	2.185	2.441	2.716
CH (inch)	1.063	1.259	1.614	1.968	2.165	2.756
ØA (inch)	1.417	1.417	1.417	1.968	1.968	1.968
□B (inch)	0.354	0.354	0.354	0.551	0.551	0.551
C (inch)	0.220	0.220	0.220	0.259	0.259	0.259
E (inch)	0.984	0.984	0.984	1.378	1.378	1.378
F (inch)	0.295	0.334	0.334	0.570	0.570	0.570
Flange connection DIN ISO 5211 DIN 3337	F03	F03	F03	F05	F05	F05

Ask for additional information on the whole range of RuB valves and consult with your supplier for special applications.

Torque for Actuator Sizing in-lb

Delta P →	0 ÷ 200 PSI		600 PSI	
	To open	To close	To open	To close
1/2"	25	15	25	15
3/4"	33	20	33	20
1"	62	37	62	37
1.1/4"	104	111	121	111
1.1/2"	220	180	273	180
2"	262	222	327	222

Torque correction factors

Valve torque can vary according to operating frequency, temperature, and friction characteristics of the media. If media has more or less friction than water, multiply torque by the following factors.

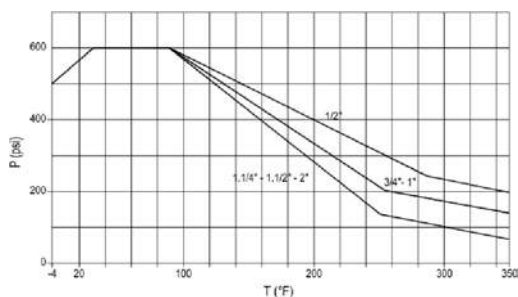
Lubricating oils or liquids 0.8

Dry gases, natural gas, superheated steam 1.5

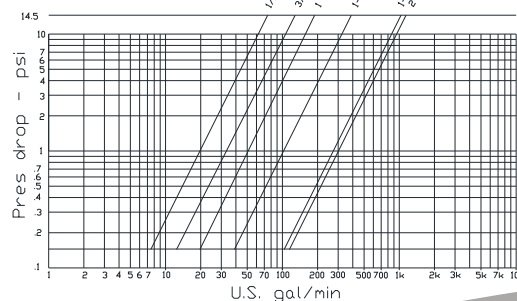
Slurries or liquids bearing abrasive particles 1.5÷2.5

For other conditions please inquire of your RuB representative or distributor.

Pressure - Temperature Chart



Pressure Drop Chart



The company reserves all rights for the information contained herein. Products may be changed at any time without notice. Any unlisted reference to a code or standard shall be interpreted as referring to the latest edition. RuB and logo are registered trademarks of RuB-Produktions-Unternehmen Bannern. Other logos are property of respective owners.

s.6440 NPT actuator mounting hot forged 1/2" - 2" full port brass ball valves



More and more automation is required at all levels in our society and the s.64 **RuB** range is the answer to all needs for reliable actuated ball valve.

It features special seat design to automatically compensate for wear and it has successfully passed 100,000 cycle life tests.

You can purchase the valve alone or with the **RuB** actuator already mounted.

Features and Specifications:

- Hot forged sand blasted, unplated brass body and cap sealed with Loctite or equivalent thread sealant
- Finest brass according to EN 12165 and EN 12164 (formerly DIN 17660 and UNI 5705-65) specifications
- ISO 5211 and DIN 3337 mounting flange for universal connection to actuator, 100% full port for maximum flow
- 24h 100% seal test guaranteed
- Reinforced PTFE self-lubricating seats with flexible-lip and wear compensation design
- Dual sealing system allows valve to be operated in either direction making installation easier
- Chrome plated solid brass ball
- No metal-to-metal moving parts
- Especially designed blowout-proof stainless steel stem
- Two FPM O-rings at the stem for maximum safety
- No maintenance ever required
- NPT taper ANSI B.1.20.1 Female by Female threads
- Silicone-free lubricant on all seals
- 600 PSI non-shock cold working pressure
- Range: -4°F +350°F temperature



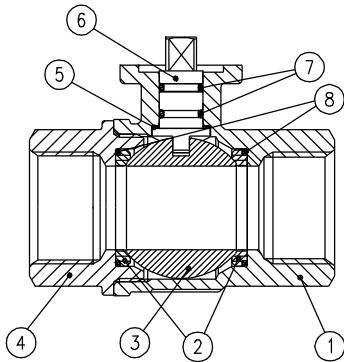
Options:

- Stainless steel trim (s.6439) brass trim (s.6441)
- Special valve configurations available upon request
- k.64 configuration featuring EN 10226-1, ISO 228 parallel Female by Female threads
- plated body
- valve length according to DIN 3357 specification
- pure Teflon seats
- Rack and pinion pneumatic actuator (spring return or double acting)

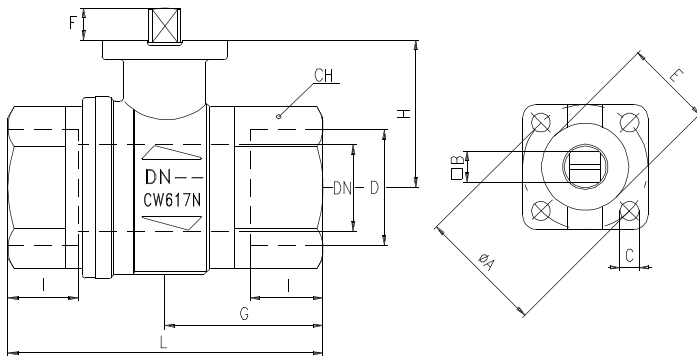
RuB Electric and Pneumatic Actuator



Technical Specifications:



PART DESCRIPTION		Material	Q.ty
1	Unplated body	CW617N	1
2	Ball seat	Ptfe graphite filled 15%	2
3	Chrome plated ball	CW617N	1
4	Unplated end cap	CW617N	1
5	Washer	Ptfe carbon filled 25%	1
6	Stainless steel stem O-Ring design	AISI316	1
7	Green O-Ring	Viton®	2
8	Green O-Ring	Viton®	2



Code	S64D40	S64E40	S64F40	S64G40	S64H40	S64I40
D (inch)	1/2	3/4	1	1 1/4	1 1/2	2
DN (inch)	0.590	0.787	0.984	1.259	1.575	1.968
I (inch)	0.610	0.708	0.826	0.905	0.964	1.043
L (inch)	2.598	2.933	3.562	4.094	4.606	5.314
G (inch)	1.201	1.456	1.791	2.047	2.322	2.657
H (inch)	1.220	1.515	1.673	2.185	2.441	2.716
CH (inch)	1.063	1.259	1.614	1.968	2.165	2.756
ØA (inch)	1.417	1.417	1.417	1.968	1.968	1.968
ØB (inch)	0.354	0.354	0.354	0.551	0.551	0.551
C (inch)	0.220	0.220	0.220	0.259	0.259	0.259
E (inch)	0.984	0.984	0.984	1.378	1.378	1.378
F (inch)	0.295	0.334	0.334	0.570	0.570	0.570
Flange connection DIN ISO 5211 DIN 3337	F03	F03	F03	F05	F05	F05

Ask for additional information on the whole range of RuB valves and consult with your supplier for special applications.

Torque for Actuator Sizing in-lb

Delta P →	0 ÷ 200 PSI		600 PSI	
	To open	To close	To open	To close
Valve size				
1/2"	27	16	27	16
3/4"	36	20	36	20
1"	67	40	67	40
1.1/4"	111	105	111	105
1.1/2"	236	193	255	209
2"	280	238	310	264

Torque correction factors

Valve torque can vary according to operating frequency, temperature, and friction characteristics of the media. If media has more or less friction than water, multiply torque by the following factors.

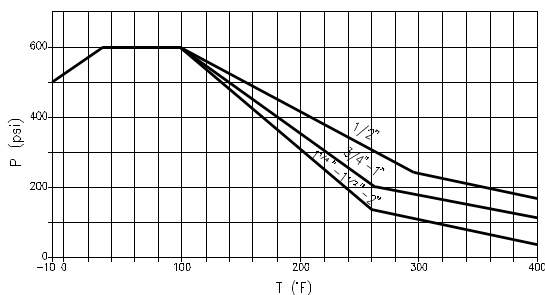
Lubricating oils or liquids 0.8

Dry gases, natural gas, superheated steam 1.5

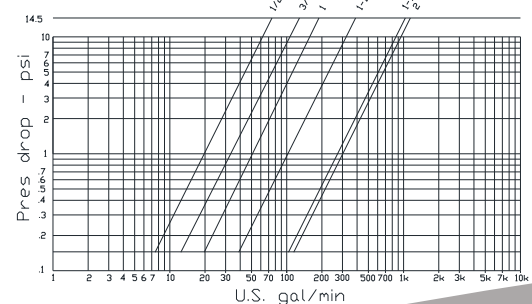
Slurries or liquids bearing abrasive particles 1.5 - 2.5

For other conditions please inquire of your RuB representative or distributor.

Pressure - Temperature Chart



Pressure Drop Chart



s.6441 NPT ISO 5211 Actuator Mounting full port 1/2"-4" hot forged brass ball valves



More and more automation is required at all levels in our society and the s.64 RuB range is the answer to all needs for reliable actuated ball valve.

It features special seat design to automatically compensate for wear and it has successfully passed 100,000 cycle* life tests.

Features and Specifications:

- Hot forged sand blasted, unplated brass body and cap sealed with Loctite or equivalent thread sealant
- Finest brass according to EN 12165 and EN 12164 (formerly DIN 17660 and UNI 5705-65) specifications
- Certified by NSA International, the widely recognized and respected independent certification organization for public health safety
- ISO 5211 and DIN 3337 mounting flange for universal connection to actuator, 100% full port for maximum flow
- 24h 100% seal test guaranteed
- Reinforced PTFE self-lubricating seats with flexible-lip and wear compensation design
- Dual sealing system allows valve to be operated in either direction making installation easier
- Chrome plated solid brass ball
- No metal-to-metal moving parts
- Nickel plated blowout-proof brass stem
- Two FPM O-rings at the stem for maximum safety, No maintenance ever required, NPT taper ANSI B.1.20.1 Female by Female threads
- Silicone-free lubricant on all seals
- 600 PSI up to 2", 450 PSI over 2", non-shock cold working pressure
- Range: -4°F +350°F temperature



Options:

- Stainless trim (s.6439)
- Special valve configurations available upon request
- Configurations for use with slurries or liquids bearing abrasive particles
- k.64 configuration featuring EN 10226-1, ISO 228 parallel Female by Female threads, plated body, valve length according to DIN 3357 specification, pure Teflon seats
- Rack and pinion pneumatic actuator (spring return or double acting).

Certified By:



Drinking Water
NSF/ANSI 61

NOTE: Approvals apply to specific configurations only.



* All sizes up to 2" included

You can purchase the valve alone or with the RuB actuator already mounted.



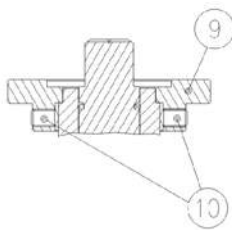
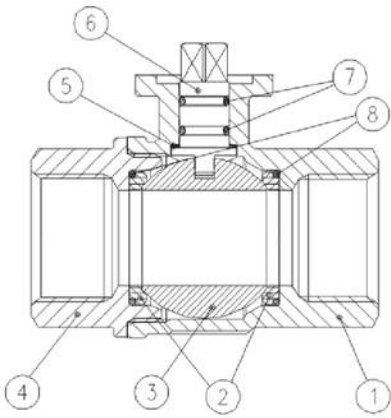
RuB Pneumatic and electric



Detail of flange over 2"

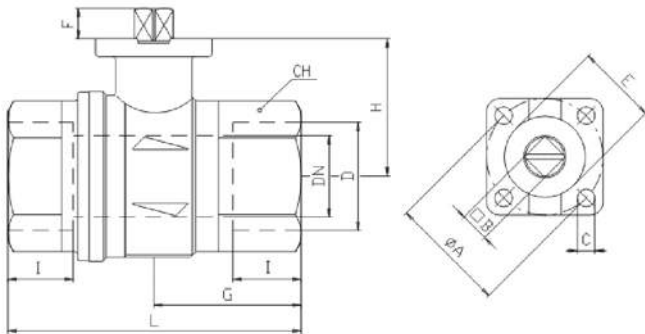


Technical Specifications:



Valves Configuration up to 2"

PART DESCRIPTION	Q.ty	Material
1 Unplated body	1	CW617N
2 Ball seat	2	Ptfe graphite filled 15%
3 Chrome plated ball	1	CW617N
4 Unplated end cap	1	CW617N
5 Washer	1	Ptfe carbon filled 25%
6 Nickel plated stem O-Ring design	1	CW617N
7 O-Ring	2	FPM
8 O-Ring	2	FPM
9 Flange (only from 2.1/2" to 4")	1	Aluminum
10 Grub screw (only from 2.1/2" to 4")	2	CB4FF



Code	S64D41	S64E41	S64F41	S64G41	S64H41	S64I41	S95L41AM	S95M41AM	S95N41AM
D (inch)	1/2	3/4	1	1 1/4	1 1/2	2	2 1/2	3	4
DN (inch)	0.590	0.787	0.984	1.259	1.575	1.968	2.559	3.150	3.937
I (inch)	0.610	0.708	0.826	0.905	0.964	1.043	1.260	1.378	1.634
L (inch)	2.598	2.933	3.562	4.094	4.606	5.314	6.142	6.969	8.504
G (inch)	1.201	1.456	1.791	2.047	2.322	2.657	3.071	3.484	4.252
H (inch)	1.220	1.515	1.673	2.185	2.441	2.716	3.502	3.779	4.366
CH (inch)	1.063	1.259	1.614	1.968	2.165	2.756	3.346	3.898	4.921
ØA (inch)	1.417	1.417	1.417	1.968	1.968	1.968	2.756	2.756	2.756
B (inch)	0.354	0.354	0.354	0.551	0.551	0.551	0.669	0.669	0.669
C (inch)	0.220	0.220	0.220	0.259	0.259	0.259	0.335	0.335	0.335
E (inch)	0.984	0.984	0.984	1.378	1.378	1.378	2.165	2.165	2.165
F (inch)	0.295	0.334	0.334	0.570	0.570	0.570	0.709	0.709	0.709
Flange connection DIN ISO 5211 DIN 3337	F03	F03	F03	F05	F05	F05	F07	F07	F07

Ball seats and Stem configuration of valves over 2" is different. Ask for details at our Service Center..

Ask for additional information on the whole range of RuB valves and consult with your supplier for special applications.

Torque for Actuator Sizing N.m

Delta P →	0 ÷ 200 PSI		600 PSI (450 PSI over 2")	
	To open	To close	To open	To close
1/2"	25	15	25	15
3/4"	33	20	33	20
1"	62	37	62	37
1.1/4"	104	111	121	111
1.1/2"	220	180	273	180
2"	262	222	327	222
2.1/2"	372	372	929	929
3"	902	902	1062	1062
4"	1646	1646	1991	1991

Torque correction factors

Valve torque can vary according to operating frequency, temperature, and friction characteristics of the media. If media has more or less friction than water, multiply torque by the following factors.

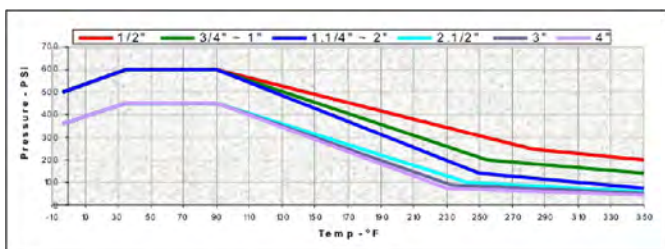
Lubricating oils or liquids 0.8

Dry gases, natural gas, superheated steam 1.5

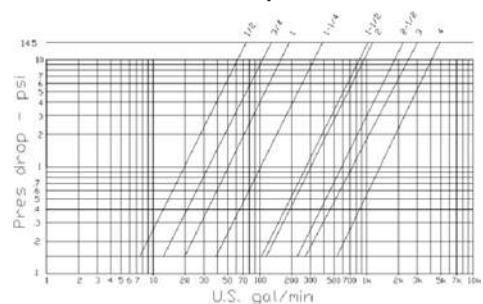
Slurries or liquids bearing abrasive particles 1.5÷2.5

For other conditions please inquire of your RuB representative or distributor.

Pressure - Temperature Chart



Pressure Drop Chart



The company reserves all rights for the information contained herein. Products may be changed at any time without notice. Any unlisted reference to a code or standard shall be interpreted as referring to the latest edition. RuB and logo are registered trademark of RuB-Industrieunternehmen Bremen. Other logos are property of respective owners.

s.6439LT NPT Actuator Mounting full port 3/4" - 2" hot forged brass ball valves



More and more automation is required at all levels in our society and the s.64 RuB range is the answer to all needs for reliable actuated ball valve.

It features special seat design to automatically compensate for wear and it has successfully passed 100,000 cycle life tests.

You can purchase the valve alone or with the RuB actuator already mounted.

Features and Specifications:

- Hot forged sand blasted, unplated brass body and cap sealed with Loctite or equivalent thread sealant
- Finest brass according to EN 12165 and EN 12164 (formerly DIN 17660 and UNI 5705-65) specifications
- ISO 5211 and DIN 3337 mounting flange for universal connection to actuator
- 100% full port for maximum flow
- 100% seal test guaranteed in according to EN12266-1 RATE A
- Reinforced PTFE self-lubricating seats with flexible-lip and wear compensation design
- Dual sealing system allows valve to be operated in either direction making installation easier
- Stainless steel solid ball
- No metal-to-metal moving parts
- Especially designed blowout-proof stainless steel stem
- Two FPM O-rings at the stem for maximum safety
- No maintenance ever required
- NPT taper ANSI B.1.20.1 Female by Female threads
- Silicone-free lubricant on all seals
- 600 PSI non-shock cold working pressure (Delta P max permissible 230 PSI)
- Range: -4°F +350°F temperature



Options:

- Brass trim (s.6441)
- Special valve configurations available upon request
- k.64 configuration featuring EN 10226-1, ISO 228 parallel Female by Female threads, plated body, valve length according to DIN 3357 specification, pure PTFE seats
- Rack and pinion pneumatic actuator (spring return or double acting)
- Compact power electric actuator



RuB Electric and Pneumatic Actuator



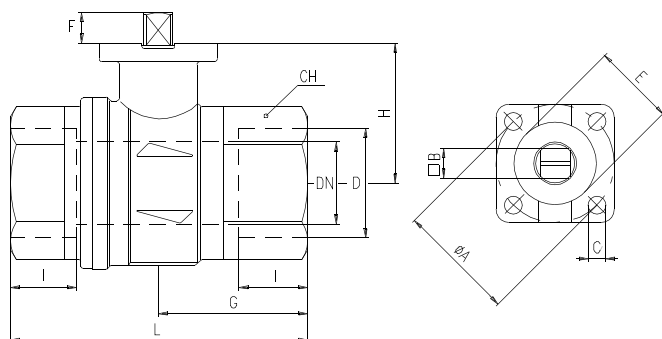
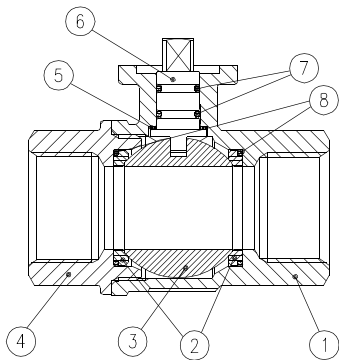
Quick assembly of pneumatic actuator with spring ring



Assembly of pneumatic actuator with M5 nuts



Technical Specifications:



PART DESCRIPTION		Q.ty	Material
1	Unplated body	1	CW617N
2	Ball seat	2	Ptfe carbon graphite filled
3	Stainless steel ball	1	AISI 316
4	Unplated end cap	1	CW617N
5	Washer	1	Ptfe carbon filled 25%
6	Stainless steel stem O-Ring design	1	AISI 316
7	O-Ring	2	FPM
8	O-Ring	2	FPM

Code	S64E39A	S64F39A	S64G39A	S64H39A	S64I39A
D (inch)	3/4	1	1 1/4	1 1/2	2
DN (inch)	0.787	0.984	1.259	1.575	1.968
I (inch)	0.708	0.826	0.905	0.964	1.043
L (inch)	2.933	3.562	4.094	4.606	5.314
G (inch)	1.456	1.791	2.047	2.322	2.657
H (inch)	1.515	1.673	1.949	2.441	2.716
CH (inch)	1.259	1.614	1.968	2.165	2.756
ØA (inch)	1.417	1.417	1.417	1.968	1.968
□B (inch)	0.354	0.354	0.354	0.551	0.551
C (inch)	0.220	0.220	0.220	0.259	0.259
E (inch)	0.984	0.984	0.984	1.378	1.378
F (inch)	0.334	0.334	0.334	0.570	0.570
Flange connection DIN ISO 5211 DIN 3337	F03	F03	F03	F05	F05

Ask for additional information on the whole range of RuB valves and consult with your supplier for special applications.

Torque for Actuator Sizing in-lb

Delta P →	0 ÷ 90 PSI		>90 ÷ 230 PSI	
	To open	To close	To open	To close
Valve size				
3/4"	13	13	21	21
1"	19	19	31	31
1.1/4"	22	22	35	35
1.1/2"	51	51	84	84
2"	70	70	115	115

Torque correction factors

Valve torque can vary according to operating frequency, temperature, and friction characteristics of the media. If media has more or less friction than water, multiply torque by the following factors.

Lubricating oils or liquids 0.8

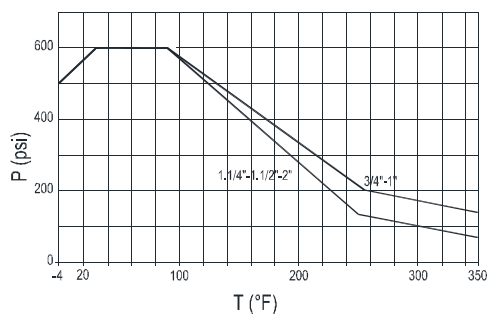
Dry gases, natural gas, superheated steam 1.5

Slurries or liquids bearing abrasive particles 1.5+2.5

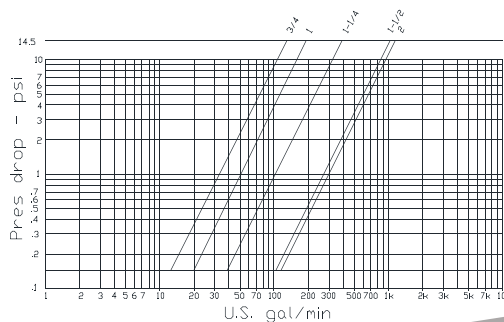
For other conditions please inquire of your RuB representative or distributor.

If the valve is operated only occasionally, 30% increase of torque value must be considered.

Pressure - Temperature Chart



Pressure Drop Chart



The company reserves all rights for the information contained herein. Products may be changed at any time without notice. Any undated references to a code or standard shall be interpreted as referring to the latest edition. RuB and logo are registered trademarks of RuB-Rubinatec s.p.a. Others logos are property of respective owners.



s.6441LT NPT actuator mounting hot forged 3/4" - 2" full port brass ball valves



More and more automation is required at all levels in our society and the s.64 RuB range is the answer to all needs for reliable actuated ball valve.

It features special seat design to automatically compensate for wear and it has successfully passed 100,000 cycle life tests.

Features and Specifications:

- Hot forged sand blasted, unplated brass body and cap sealed with Loctite or equivalent thread sealant
- Finest brass according to EN 12165 and EN 12164 (formerly DIN 17660 and UNI 5705-65) specifications
- ISO 5211 and DIN 3337 mounting flange for universal connection to actuator, 100% full port for maximum flow
- 100% seal test guaranteed in according to EN12266-1 RATE A
- Reinforced PTFE self-lubricating seats with flexible-lip and wear compensation design
- Dual sealing system allows valve to be operated in either direction making installation easier
- Chrome plated solid brass ball
- No metal-to-metal moving parts
- Nickel plated blowout-proof brass stem
- Two FPM O-rings at the stem for maximum safety
- No maintenance ever required
- NPT taper ANSI B.1.20.1 Female by Female threads
- Silicone-free lubricant on all seals
- 600 PSI non-shock cold working pressure (Delta P max permissible 230 PSI)
- Range: -4°F +350°F temperature



Options:

- Stainless trim (s.6439),
- Special valve configurations available upon request,
- k.64 configuration featuring EN 10226-1, ISO 228 parallel Female by Female threads, plated body, Valve length according to DIN 3357 specification, pure PTFE seats,
- Rack and pinion pneumatic actuator (spring return or double acting)
- Compact power electric actuator.



RuB Pneumatic and electric actuators



Quick assembly of pneumatic actuator with spring ring

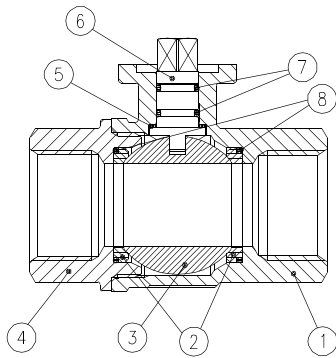


Assembly of pneumatic actuator with M5 nuts

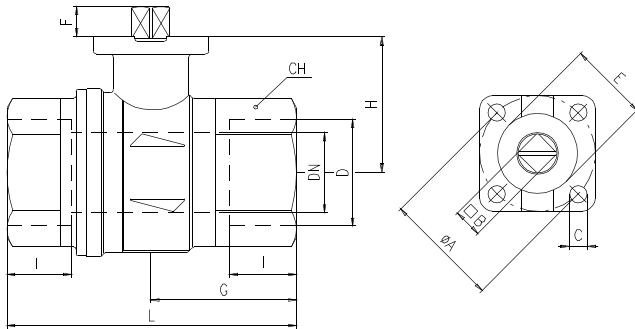
You can purchase the valve alone or with the RuB actuator already mounted.



Technical Specifications:



PART DESCRIPTION		Q.ty	Material
1	Unplated body	1	CW617N
2	Ball seat	2	Ptfe carbographite filled
3	Chrome plated ball	1	CW617N
4	Unplated end cap	1	CW617N
5	Washer	1	Ptfe carbon filled 25%
6	Nickel plated stem O-Ring design	1	CW617N
7	O-Ring	2	FPM
8	O-Ring	2	FPM



Code	S64E41A	S64F41A	S64G41A	S64H41A	S64I41A
D (inch)	3/4	1	1 1/4	1 1/2	2
DN(inch)	0.787	0.984	1.259	1.575	1.968
I (inch)	0.708	0.826	0.905	0.964	1.043
L (inch)	2.933	3.562	4.094	4.606	5.314
G (inch)	1.456	1.791	2.047	2.322	2.657
H (inch)	1.515	1.673	1.949	2.441	2.716
CH(inch)	1.259	1.614	1.968	2.165	2.756
ØA(inch)	1.417	1.417	1.417	1.968	1.968
□B(inch)	0.354	0.354	0.354	0.551	0.551
C (inch)	0.220	0.220	0.220	0.259	0.259
E(inch)	0.984	0.984	0.984	1.378	1.378
F(inch)	0.334	0.334	0.334	0.570	0.570
Flange connection DIN ISO 5211 DIN 3337	F03	F03	F03	F05	F05

Ball seats and Stem configuration of valves over 2" is different. Ask for details at our Service Center..

Ask for additional information on the whole range of RuB valves and consult with your supplier for special applications.

Torque for Actuator Sizing N.m

Delta P →	0 ÷ 90 PSI		>90 ÷ 230 PSI	
	To open	To close	To open	To close
3/4"	13	13	21	21
1"	19	19	31	31
1.1/4"	22	22	35	35
1.1/2"	51	51	84	84
2"	70	70	115	115

Torque correction factors

Valve torque can vary according to operating frequency, temperature, and friction characteristics of the media. If media has more or less friction than water, multiply torque by the following factors.

Lubricating oils or liquids 0.8

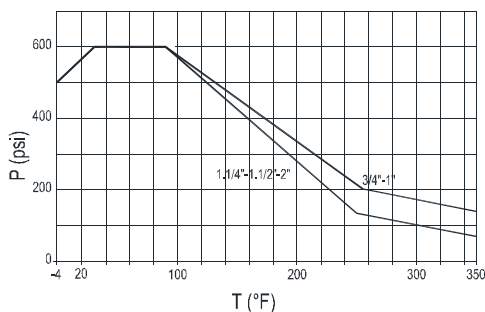
Dry gases, natural gas, superheated steam 1.5

Slurries or liquids bearing abrasive particles 1.5 - 2.5

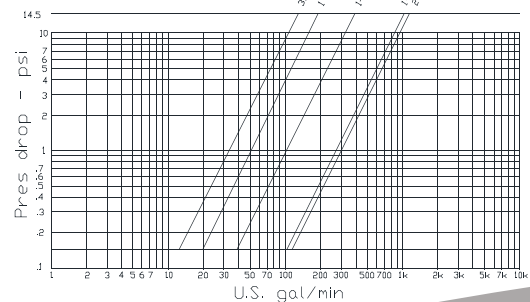
For other conditions please inquire of your RuB representative or distributor.

If the valve is operated only occasionally, 30% increase of torque value must be considered.

Pressure - Temperature Chart



Pressure Drop Chart



The company reserves all rights for the information contained herein. Products may be changed at any time without notice. Any undated reference to a code or standard shall be interpreted as referring to the latest edition. RuB and logo are registered trademark of RuB-Produktionsbetriebe Unternehmensformen. Other logos are property of respective owners.

RuB EA Actuators

Compact Pneumatic Actuators for 1/2" - 4" quarter turn valves



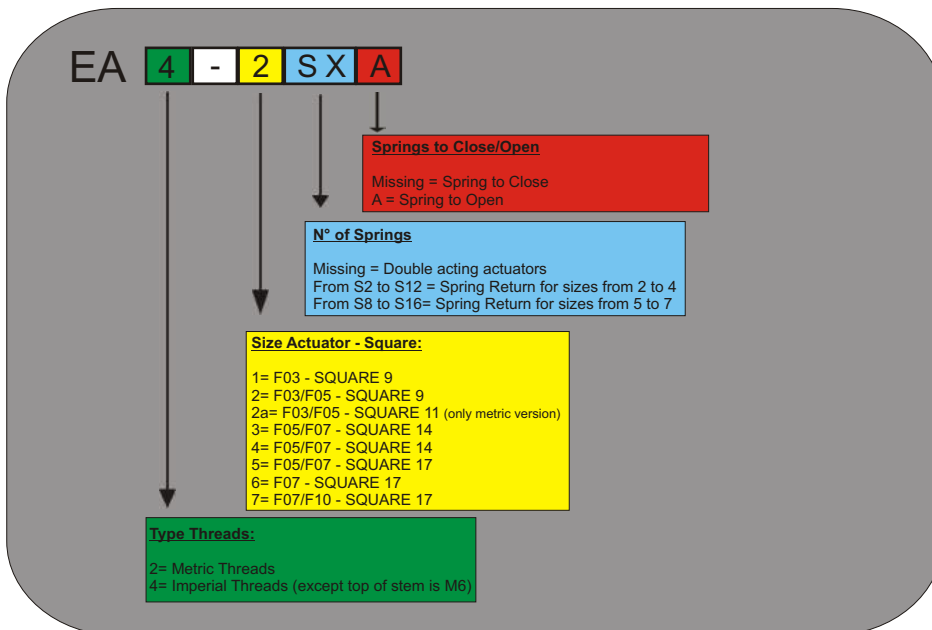
Features and Specifications:

- ISO 5211 Direct Mount on valve
- NAMUR pads for direct mounting of solenoid and limit switch
- Pilot ring for perfect alignment of shaft and stem
- Extruded aluminum body hard anodized Cylinder bore rock hard and glass smooth
- Nickel plated steel shaft
- Stainless steel fasteners
- High tensile long life return springs
- Visual position indicator
- Indoor or outdoor installation
- Single massive travel stop on one end eliminates need of balancing stop on both ends (EA sizes 2-7)
- Fast field conversion between double acting and spring return, fail open or fail closed



Service Limits	Min Max (Imperial system)		Service Limits	Min Max (Metric system)	
	Pressure psi	40		150	Pressure bar
Temperature °F	0	175	Temperature °C	-20	80

ACTUATOR OPTIONS AND HOW TO ORDER



Examples

EA4-3S6 is an EA actuator, Imperial threads, Size 3 with 6 springs to close (i.e. - Spring Return)

EA2-4 is an EA actuator, metric threads, Size 4, with no springs (i.e. - Double Acting)

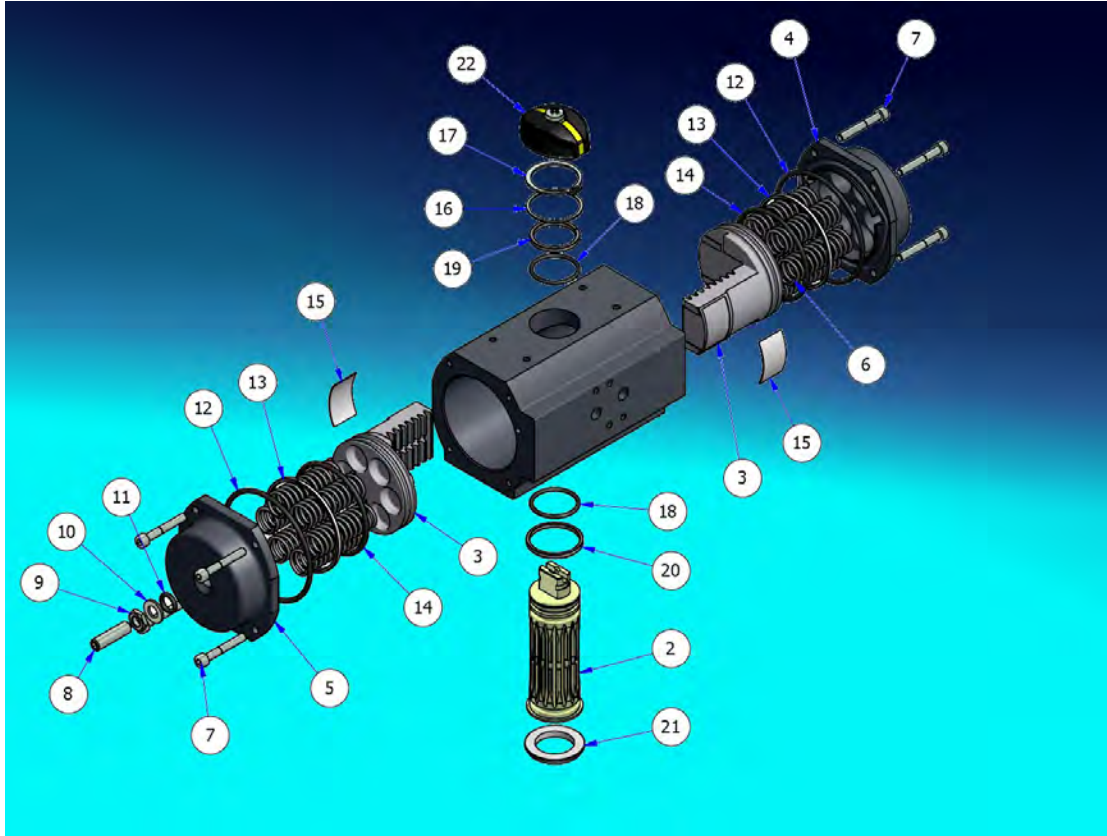


RuB EA Actuators

Compact Pneumatic Actuators for 1/2" - 4" quarter turn valves



Construction and Materials:



Bill of Materials - EA Actuators

EA-4 is shown. Smaller sizes have similar construction except (**) EA-1 has Nylon endcaps and pistons

** Polyoxymethylene
(commonly "Delrin")

ITEM	DESCRIPTION	QTY	MATERIAL
1	Body	1	Anod. Aluminium
2	Shaft	1	Steel - Zinc Plated
3	Piston	2	Aluminum
4	End Cap	1	Anod. Aluminium
5	End Cap (Stop Bolt)	1	Anod. Aluminium
6	Spring	12 Max	Cr-Si Steel
7	Cap Bolt	8	St. Steel
8	Stop Bolt	1	Hi Tensile Steel
9	Stop Bolt Nut	1	Hi Tensile Steel
10	Washer	1	Polyethylene
11	O-Ring (End Stop)	1	NBR
12	O-Ring (End Cover)	2	NBR
13	Piston Ring	2	POM**
14	Piston Ring	2	NBR
15	Wear Pad	2	POM**
16	Shaft Washer	1	Polyethylene
17	Snap Ring	1	Steel
18	O-Ring (Drive Shaft)	2	NBR
19	Shaft Bearing Upper	1	POM**
20	Shaft Bearing Lower	1	POM**
21	Alignment Ring	1	POM**
22	Indicator	1	Nylon

The company reserves all rights for the information contained herein. Products may be changed at any time without notice. Any undated reference to a code or standard shall be interpreted as referring to the latest edition. RuB and logo are registered trademarks of RuB-Rubmeterie utensilieri Bonomi. Others logos are property of respective owners.

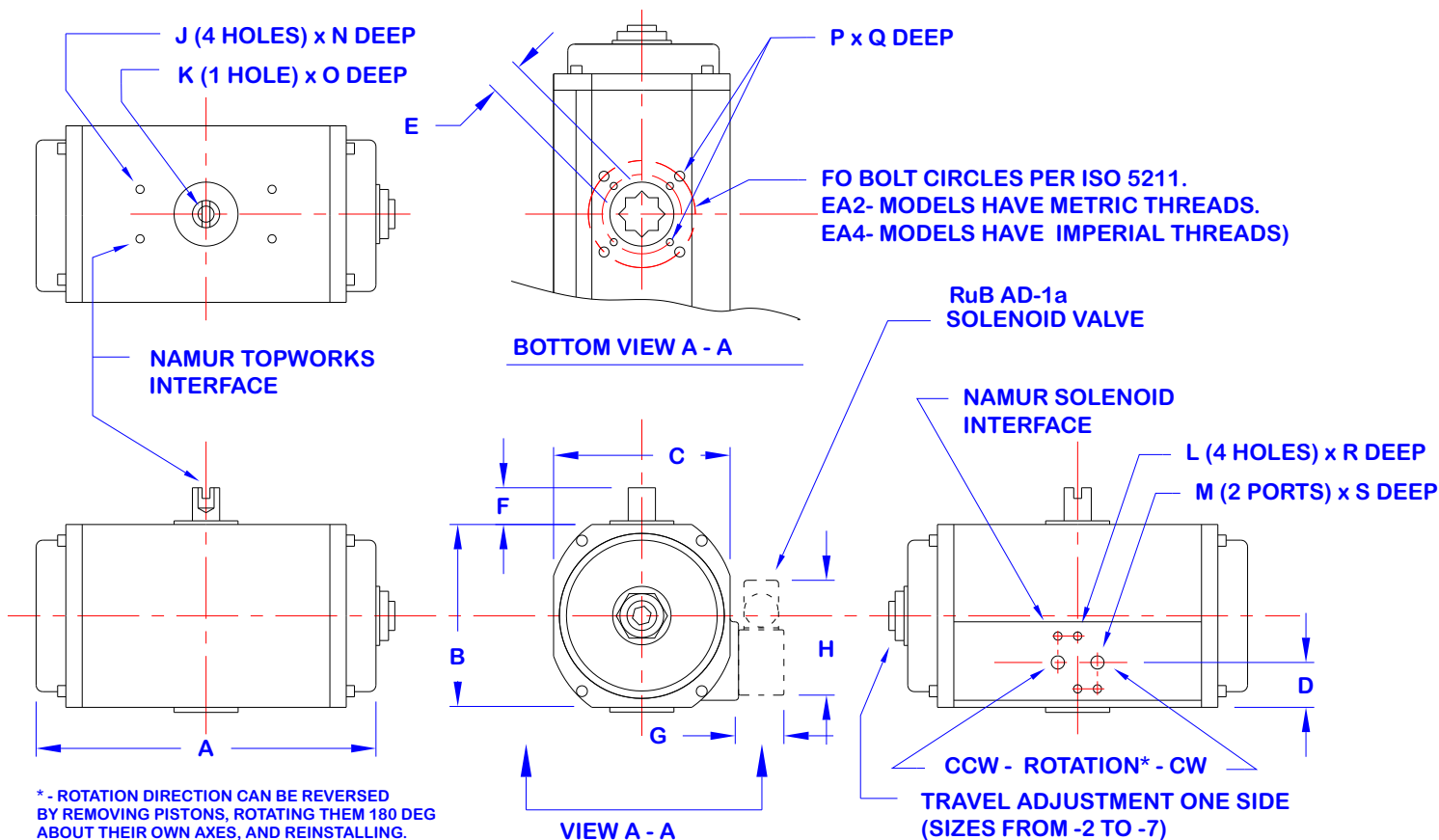


RuB EA Actuators

Compact Pneumatic Actuators for 1/2" - 4" quarter turn valves



Dimensions:



* - ROTATION DIRECTION CAN BE REVERSED BY REMOVING PISTONS, ROTATING THEM 180 DEG ABOUT THEIR OWN AXES, AND REINSTALLING.

The company reserves all rights for the information contained herein. Products may be changed at any time without notice. Any undated reference to a code or standard shall be interpreted as referring to the latest edition. RuB and logo are registered trademarks of RuB-Rubbettere Utensilerie Bonomi. Others logos are property of respective owners.

		In mm																	
	F0	A	B	C	D	E	F	G	H	J	K	L	M	N	O	P	Q	R	S
1	0 F03	103	45	51	22,5	9	20	26	67	M5	M6	M5	G1/8	5	12	M5	8	8	7
2	0 F03/05	150	70	70	23	9	20	26	67	M5	M6	M5	G1/8	8	12	M5 / M6	8 / 10	8	10
2A	0 F03/05*	150	70	70	23	11	20	26	67	M5	M6	M5	G1/8	8	12	M5 / M6	8 / 10	8	10
3	0 F05/07	187	87	91	34,5	14	20	26	67	M5	M6	M5	G1/8	8	12	M6 / M8	10 / 13	8	10
4	0 F05/07	206	118	113	29,5	14	20	26	67	M5	M6	M5	G1/8	8	12	M6 / M8	10 / 13	8	10
5	0 F05/07	194	118,5	121	29,5	17	20	26	67	M5	M6	M5	G1/4	5	12	M6 / M8	10 / 10	8	12
6	0 F07/10	218	140,5	136,5	29,5	17	20	26	67	M5	M6	M5	G1/4	5	12	M8 / M10	10 / 16	8	12
7	0 F07/10	266	166,5	156	30	17	20	26	67	M5	M6	M5	G1/4	5	12	M8 / M10	13 / 16	8	12

*F04 Flange Available
 ** RuB Special Version

		In inch																	
	F0	A	B	C	D	E	F	G	H	J	K	L	M	N	O	P	Q	R	S
1	0 F03	4,06	1,77	2,01	0,89	0,35	0,79	1,02	2,64	10-32	M6	10-32	1/8 NPT	0,20	0,47	10-24	0,31	0,31	0,28
2	0 F03/05	5,91	2,76	2,76	0,91	0,35	0,79	1,02	2,64	10-32	M6	10-32	1/8 NPT	0,31	0,47	10-24 / 1/4"-20	0,31 / 0,39	0,31	0,39
3	0 F05/07	7,36	3,43	3,58	1,36	0,55	0,79	1,02	2,64	10-32	M6	10-32	1/8 NPT	0,31	0,47	1/4"-20 / 5/16"-18	0,39 / 0,51	0,31	0,39
4	0 F05/07	8,11	4,65	4,45	1,16	0,55	0,79	1,02	2,64	10-32	M6	10-32	1/8 NPT	0,31	0,47	1/4"-20 / 5/16"-18	0,39 / 0,51	0,31	0,39
5	0 F05/07	7,64	4,67	4,76	1,16	0,67	0,79	1,02	2,64	10-32	M6	10-32	1/4 NPT	0,20	0,47	1/4"-20 / 5/16"-18	0,47 / 0,47	0,31	0,50
6	0 F07/10	8,58	5,53	5,37	1,16	0,67	0,79	1,02	2,64	10-32	M6	10-32	1/4 NPT	0,20	0,47	5/16"-18 / 3/8"-16	0,51 / 0,63	0,31	0,50
7	0 F07/10	10,47	6,56	6,14	1,18	0,67	0,79	1,02	2,64	10-32	M6	10-32	1/4 NPT	0,20	0,47	5/16"-18 / 3/8"-16	0,51 / 0,63	0,31	0,50



RuB EA Actuators

Compact Pneumatic Actuators for 1/2" - 4" quarter turn valves



Quick Pick Charts for EA2/EA4 actuators

s.64 LT



METRIC SYSTEM

Quick - pick Double acting s.64 LT - Metric									
air >>> bar	3	4	5	6	7	8	9	10	
1/2	1	1	1	1	1	1	1	1	1
3/4	1	1	1	1	1	1	1	1	1
1	1	1	1	1	1	1	1	1	1
1.1/4	1	1	1	1	1	1	1	1	1
1.1/2	2A	2A	2A	2A	2A	2A	2A	2A	2A
2	2A	2A	2A	2A	2A	2A	2A	2A	2A

Quick - pick Spring return s.64 LT - Metric									
air >>> bar	3	4	5	6	7	8	9	10	
Springs to open/close									
1/2	2S3	2S3	2S3	2S3	2S3	2S3	2S3	2S3	2S3
3/4	2S4	2S4	2S4	2S4	2S4	2S4	2S4	2S4	2S4
1	2S4	2S4	2S4	2S4	2S4	2S4	2S4	2S4	2S4
1.1/4	2S4	2S4	2S4	2S4	2S4	2S4	2S4	2S4	2S4
1.1/2	3S3	2AS7	2AS7	2AS7	2AS7	2AS7	2AS7	2AS7	2AS7
2	3S4	3S4	2AS9	2AS9	2AS9	2AS9	2AS9	2AS9	2AS9

Linkage Kit Selection Table - Low Torque - Metric									
Valve	size	EA2	-1	-2	-2A	-3	-4		
s64	1/2~1-1/4	LK-	1	1	-	3	3		
	1-1/2 ~ 2	LK-			4	6	6		

Example - to mount an EA2-3 actuator on a 1" s64 valve (metric system), order an LK-3 mounting kit.

IMPERIAL SYSTEM

Quick - pick Double acting s.64 LT - Imperial											
air >>> psi	40	50	60	70	80	90	100	110	120		
1/2	1	1	1	1	1	1	1	1	1	1	
3/4	1	1	1	1	1	1	1	1	1	1	
1	1	1	1	1	1	1	1	1	1	1	
1.1/4	1	1	1	1	1	1	1	1	1	1	
1.1/2	3	3	3	3	3	3	3	3	3	3	
2	3	3	3	3	3	3	3	3	3	3	

Quick - pick Spring return s.64 LT - Imperial											
air >>> psi	40	50	60	70	80	90	100	110	120		
Springs to open/close											
1/2	2S3	2S3	2S3	2S3	2S3	2S3	2S3	2S3	2S3	2S3	
3/4	2S4	2S4	2S4	2S4	2S4	2S4	2S4	2S4	2S4	2S4	
1	2S4	2S4	2S4	2S4	2S4	2S4	2S4	2S4	2S4	2S4	
1.1/4	2S4	2S4	2S4	2S4	2S4	2S4	2S4	2S4	2S4	2S4	
1.1/2	3S3	3S3	3S3	3S3	3S3	3S3	3S3	3S3	3S3	3S3	
2	3S4	3S4	3S4	3S4	3S4	3S4	3S4	3S4	3S4	3S4	

Linkage Kit Selection Table - Low Torque Imperial									
Valve	size	EA4	-1	-2	-3	-4			
s64	1/2 ~ 1-1/4	LK-	8	8	9	9			
	1-1/2 ~ 2	LK-			10	10			

The company reserves all rights for the information contained herein. Products may be changed at any time without notice. Any undated reference to a code or standard shall be interpreted as referring to the latest edition. RuB and logo are registered trademarks of RuB-Rubintechnik GmbH. Others logos are property of respective owners.



RuB EA Actuators

Compact Pneumatic Actuators for 1/2" - 4" quarter turn valves



Quick Pick Charts for EA2 actuators



s.64 & s.74 **METRIC SYSTEM**

Quick - pick Double acting s.64 & s.74 standard - Metric									
air >>> bar	3	4	5	6	7	8	9	10	
1/2	1	1	1	1	1	1	1	1	1
3/4	1	1	1	1	1	1	1	1	1
1	2	2	2	1	1	1	1	1	1
1.1/4	3 2A	2A	2A	2A	2A	2A	2A	2A	
1.1/2	4	3	3	3	3 2A	2A	2A	2A	
2	4	4	3	3	3	3	3	3	3
2.1/2	5	5	5	5	5	5	5	5	5
3	7	6	6	5	5	5	5	5	5
4		7	7	7	6	6	6	6	6

Quick - pick Spring return s.64 or s.74 standard - Metric									
air >>> bar	3	4	5	6	7	8	9	10	
Springs to open									
1/2	2S3	2S3	2S3	2S3	2S3	2S3	2S3	2S3	2S3
3/4	2S4	2S4	2S4	2S4	2S4	2S4	2S4	2S4	2S4
1	2S6	2S6	2S6	2S6	2S6	2S6	2S6	2S6	2S6
1.1/4	3S5	3S5	3S5	3S5	2AS12	2AS12	2AS12	2AS12	2AS12
1.1/2	4S6	4S6	4S6	3S11	3S11	3S11	3S11	3S11	3S11
2	4S7	4S7	4S7	4S7	4S7	4S7	4S7	4S7	4S7
2.1/2		7S8	6S8	6S8	6S8	6S8	6S8	6S8	6S8
3		7S8	7S8	6S16	6S16	6S16	6S16	6S16	6S16
4				7S16	7S16	7S16	7S16	7S16	7S16
Springs to close									
1/2	2S2	2S2	2S2	2S2	2S2	2S2	2S2	2S2	2S2
3/4	2S3	2S3	2S3	2S3	2S3	2S3	2S3	2S3	2S3
1	2S4	2S4	2S4	2S4	2S4	2S4	2S4	2S4	2S4
1.1/4	3S6	3S6	3S6	2AS12	2AS12	2AS12	2AS12	2AS12	2AS12
1.1/2	4S5	4S5	3S9	3S9	3S9	3S9	3S9	3S9	3S9
2		4S6	4S6	4S6	3S11	3S11	3S11	3S11	3S11
2.1/2		7S8	6S8	6S8	6S8	6S8	6S8	6S8	6S8
3		7S8	7S8	6S16	6S16	6S16	6S16	6S16	6S16
4				7S16	7S16	7S16	7S16	7S16	7S16

Linkage Kit Selection Table - Metric											
Valve	size		EA2	-1	-2	-2A	-3	-4	-5	-6	-7
s64/74	1/2 ~ 1	LK-		1	1	-	3	3	-	-	-
	1-1/4 ~ 1-1/2	LK-				4	6	6	13	7	7
	2"	LK-					4	4	14	5	5
	2-1/2 ~ 4	LK-							15	15	15
Example - to mount an EA2-3 actuator on a 1/2" s64 valve, order an LK-3 mounting kit											

The company reserves all rights for the information contained herein. Products may be changed at any time without notice. Any undated reference to a code or standard shall be interpreted as referring to the latest edition. RuB and logo are registered trademarks of RuB-Rubnetterle Utensilerie Bonomi. Others logos are property of respective owners.



RuB EA Actuators

Compact Pneumatic Actuators

for 1/2" - 4" quarter turn valves



Tork Rating Charts for EA2 actuators

s.64 & s.74 - Metric



Double acting - torque in N.m										
EA2-	S#	3	4	5	6	7	8	9	10	bar
1	0	4,4	5,8	7,3	8,7	10,2	11,6	13,1	14,5	
2	0	11,8	15,8	19,7	23,7	27,6	31,6	35,5	39,5	
3	0	25,4	33,8	42,3	50,7	59,2	67,6	76,1	84,5	
4	0	50,7	67,6	84,5	101,5	118,4	135,3	152,2	169,1	
5	0	61,3	81,7	102,1	122,5	142,9	163,3	183,8	204,2	
6	0	101,0	134,6	168,3	201,9	235,6	269,2	302,9	336,5	
7	0	187,1	249,5	311,8	374,2	436,5	498,9	561,3	623,6	

Spring return - torque in N.m																							
EA2-	total	outer	S#	inner	air stroke - start										air stroke - end								
					spring stroke		air pres - bar										air pres - bar						
					start	end	3	4	5	6	7	8	9	10	3	4	5	6	7	8	9	10	
2	2				2,62	1,34	10,5	14,4	18,4	22,3	26,3	30,2	34,2	38,1	9,2	13,2	17,1	21,1	25,0	28,9	32,9	36,8	
	3				3,93	2,01	9,8	13,8	17,7	21,7	25,6	29,6	33,5	37,4	7,9	11,9	15,8	19,7	23,7	27,6	31,6	35,5	
	4				5,24	2,68	9,2	13,1	17,0	21,0	24,9	28,9	32,8	36,8	6,6	10,5	14,5	18,4	22,4	26,3	30,3	34,2	
	5				6,55	3,35	8,5	12,4	16,4	20,3	24,3	28,2	32,2	36,1	5,3	9,2	13,2	17,1	21,1	25,0	29,0	32,9	
	6				7,86	4,02	7,8	11,8	15,7	19,7	23,6	27,5	31,5	35,4	4,0	7,9	11,9	15,8	19,8	23,7	27,6	31,6	
	7				9,17	4,69		11,1	15,0	19,0	22,9	26,9	30,8	34,8		6,6	10,6	14,5	18,4	22,4	26,3	30,3	
	8				10,48	5,36		10,4	14,4	18,3	22,3	26,2	30,1	34,1		5,3	9,2	13,2	17,1	21,1	25,0	29,0	
	9				11,79	6,03			13,7	17,6	21,6	25,5	29,5	33,4		7,9	11,9	15,8	19,8	23,7	27,6	31,6	
	10				13,1	6,7			13,0	17,0	20,9	24,9	28,8	32,8		6,6	10,6	14,5	18,5	22,4	26,4	30,4	
	11				14,41	7,37				16,3	20,2	24,2	28,1	32,1			9,3	13,2	17,2	21,1	25,0	29,0	
	12				15,72	8,04				15,6	19,6	23,5	27,5	31,4			8,0	11,9	15,8	19,8	23,7	27,7	
	3	2				5,44	3	22,4	30,8	39,3	47,7	56,2	64,6	73,1	81,5	19,9	28,4	36,8	45,3	53,7	62,2	70,7	79,1
3					8,16	4,5	20,9	29,3	37,8	46,2	54,7	63,1	71,6	80,0	17,2	25,7	34,1	42,6	51,0	59,5	67,9	76,4	
4					10,88	6	19,4	27,8	36,3	44,7	53,2	61,6	70,1	78,5	14,5	22,9	31,4	39,8	48,3	56,8	65,2	73,7	
5					13,6	7,5	17,9	26,3	34,8	43,2	51,7	60,1	68,6	77,0	11,8	20,2	28,7	37,1	45,6	54,0	62,5	70,9	
6					16,32	9	16,4	24,8	33,3	41,7	50,2	58,6	67,1	75,5	9,0	17,5	26,0	34,4	42,9	51,3	59,8	68,2	
7					19,04	10,5		23,3	31,8	40,2	48,7	57,1	65,6	74,0		14,8	23,2	31,7	40,1	48,6	57,1	65,5	
8					21,76	12		21,8	30,3	38,7	47,2	55,6	64,1	72,5		12,1	20,5	29,0	37,4	45,9	54,3	62,8	
9					24,48	13,5			28,8	37,2	45,7	54,1	62,6	71,0			17,8	26,2	34,7	43,2	51,6	60,1	
10					27,2	15			27,3	35,7	44,2	52,6	61,1	69,5			15,1	23,5	32,0	40,4	48,9	57,3	
11					29,92	16,5				34,2	42,7	51,1	59,6	68,0				20,8	29,3	37,7	46,2	54,6	
12					32,64	18				32,7	41,2	49,6	58,1	66,5				18,1	26,5	35,0	43,5	51,9	
4		2				10,24	6,68	44,0	61,0	77,9	94,8	111,7	128,6	145,5	162,4	40,5	57,4	74,3	91,2	108,1	125,0	141,9	158,9
	3				15,36	10,02	40,7	57,6	74,5	91,4	108,3	125,3	142,2	159,1	35,4	52,3	69,2	86,1	103,0	119,9	136,8	153,7	
	4				20,48	13,36	37,4	54,3	71,2	88,1	105,0	121,9	138,8	155,7	30,2	47,2	64,1	81,0	97,9	114,8	131,7	148,6	
	5				25,6	16,7	34,0	50,9	67,8	84,8	101,7	118,6	135,5	152,4	25,1	42,0	58,9	75,9	92,8	109,7	126,6	143,5	
	6				30,72	20,04	30,7	47,6	64,5	81,4	98,3	115,2	132,1	149,1	20,0	36,9	53,8	70,7	87,6	104,5	121,4	138,3	
	7				35,84	23,38		44,3	61,2	78,1	95,0	111,9	128,8	145,7		31,8	48,7	65,6	82,5	99,4	116,3	133,3	
	8				40,96	26,72		40,9	57,8	74,7	91,6	108,5	125,4	142,3		26,7	43,6	60,5	77,4	94,3	111,2	128,1	
	9				46,08	30,06			54,5	71,4	88,3	105,2	122,1	139,0			38,5	55,4	72,3	89,2	106,1	123,0	
	10				51,2	33,4			51,1	68,1	85,0	101,9	118,8	135,7			33,3	50,3	67,2	84,1	101,0	117,9	
	11				56,32	36,74			64,7	81,6	98,5	115,4	132,3	149,2				45,1	62,0	78,9	95,8	112,7	
	12				61,44	40,08			61,4	78,3	95,2	112,1	129,0	145,9				40,0	56,9	73,8	90,7	107,6	
	5	8	8	0	52,4	28,8	32,5	52,9	73,3	93,7	114,1	134,5	155,0	175,4	8,9	29,3	49,7	70,1	90,5	110,9	131,4	151,8	
10		8	2	58,95	32,4		49,3	69,7	90,1	110,5	130,9	151,4	171,8		22,7	43,1	63,6	84,0	104,4	124,8	145,2		
12		8	4	65,5	36		45,7	66,1	86,5	106,9	127,3	147,8	168,2		16,2	36,6	57,0	77,4	97,8	118,3	138,7		
14		8	6	72,05	39,6			62,5	82,9	103,3	123,7	144,2	164,6			30,0	50,5	70,9	91,3	111,7	132,1		
16		8	8	78,6	43,2			58,9	79,3	99,7	120,1	140,6	161,0			23,5	43,9	64,3	84,7	105,2	125,6		
8		8	0	86,8	47,7	53,3	86,9	120,6	154,2	187,9	221,5	255,2	288,8	14,2	47,8	81,5	115,1	148,8	182,4	216,1	249,7		
6	10	8	2	97,65	53,675		80,9	114,6	148,3	181,9	215,6	249,2	282,9		37,0	70,6	104,3	137,9	171,6	205,2	238,9		
	12	8	4	108,5	59,65		75,0	108,6	142,3	175,9	209,6	243,2	276,9		26,1	59,8	93,4	127,1	160,7	194,4	228,0		
	14	8	6	119,35	65,625			102,6	136,3	170,0	203,6	237,3	270,9			48,9	82,6	116,2	149,9	183,5	217,2		
	16	8	8	130,2	71,6			96,7	130,3	164,0	197,6	231,3	264,9			38,1	71,7	105,4	139,0	172,7	206,3		
	8	8	0	160,8	88,4	98,7	161,1	223,4	285,8	348,1	410,5	472,9	535,2	26,3	88,7	151,0	213,4	275,7	338,1	400,5	462,8		
	10	8	2	180,9	99,45		150,0	212,4	274,7	337,1	399,5	461,8	524,2		68,6	130,9	193,3	255,6	318,0	380,4	442,7		
7	12	8	4	201	110,5		139,0	201,3	263,7	326,0	388,4	450,8	513,1		48,5	110,8	173,2	235,5	297,9	360,3	422,6		
	14	8	6	221,1	121,55			190,3	252,6	315,0	377,4	439,7	502,1			90,7	153,1	215,4	277,8	340,2	402,5		
	16	8	8	241,2	132,6			179,2	241,6	303,9	366,3	428,7	491,0			70,6	133,0	195,3	257,7	320,1	382,4		

The company reserves all rights for the information contained herein. Products may be changed at any time without notice. Any undated reference to a code or standard shall be interpreted as referring to the latest edition. RuB and logo are registered trademarks of RuB-Rubnetzelektrotechnik GmbH. Others logos are property of respective owners.



RuB EA Actuators

Compact Pneumatic Actuators for 1/2" - 4" quarter turn valves



Quick Pick Charts for EA4 actuators

s.64 & s.74

IMPERIAL SYSTEM



S.134 - Imperial

IMPERIAL SYSTEM



Pipeline ΔP 0~300 psi

Quick - pick Double acting s.64 & s.74 standard - Imperial

air >>> psi	40	50	60	70	80	90	100	110	120
1/2	1	1	1	1	1	1	1	1	1
3/4	1	1	1	1	1	1	1	1	1
1	2	2	2	2	1	1	1	1	1
1.1/4	3	3	3	3	3	3	3	3	3
1.1/2	4	3	3	3	3	3	3	3	3
2	4	4	3	3	3	3	3	3	3
2.1/2	5	5	5	5	5	5	5	5	5
3	7	6	6	6	6	5	5	5	5
4		7	7	7	7	7	6	6	6

S134 valves Double Acting

air - psi >>	40	50	60	70	80	90	100	110	120
1/2	2	2	1	1	1	1	1	1	1
3/4	2	2	2	2	2	2	2	1	1
1"	3	3	3	3	3	3	3	3	3
1-1/4	3	3	3	3	3	3	3	3	3
1-1/2	4	4	3	3	3	3	3	3	3
2"	4	4	4	4	3	3	3	3	3

Quick - pick Spring return s.64 or s.74 standard - Imperial

air >>> psi	40	50	60	70	80	90	100	110	120
Springs to open									
1/2	2S3	2S3	2S3	2S3	2S3	2S3	2S3	2S3	2S3
3/4	2S4	2S4	2S4	2S4	2S4	2S4	2S4	2S4	2S4
1	2S6	2S6	2S6	2S6	2S6	2S6	2S6	2S6	2S6
1.1/4	3S5	3S5	3S5	3S5	3S5	3S5	3S5	3S5	3S5
1.1/2	4S6	4S6	4S6	4S6	3S11	3S11	3S11	3S11	3S11
2	4S7	4S7	4S7	4S7	4S7	4S7	4S7	4S7	4S7
2.1/2		7S8	6S8	6S8	6S8	6S8	6S8	6S8	6S8
3			7S8	7S8	7S8	6S16	6S16	6S16	6S16
4					7S16	7S16	7S16	7S16	7S16
Springs to close									
1/2	2S2	2S2	2S2	2S2	2S2	2S2	2S2	2S2	2S2
3/4	2S3	2S3	2S3	2S3	2S3	2S3	2S3	2S3	2S3
1	2S4	2S4	2S4	2S4	2S4	2S4	2S4	2S4	2S4
1.1/4	3S6	3S6	3S6	3S6	3S6	3S6	3S6	3S6	3S6
1.1/2	4S5	4S5	4S5	3S9	3S9	3S9	3S9	3S9	3S9
2	4S6	4S6	4S6	4S6	4S6	3S11	3S11	3S11	3S11
2.1/2		7S8	6S8	6S8	6S8	6S8	6S8	6S8	6S8
3			7S8	7S8	7S8	6S16	6S16	6S16	6S16
4					7S16	7S16	7S16	7S16	7S16

S134 valves Spring Return

air - psi >>	40	50	60	70	80	90	100	110	120
Spring to Open									
1/2	2S5	2S5	2S5	2S5	2S5	2S5	2S5	2S5	2S5
3/4	3S4	3S4	2S8	2S8	2S8	2S8	2S8	2S8	2S8
1"	4S4	3S7	3S7	3S7	3S7	3S7	3S7	3S7	3S7
1-1/4	4S5	3S8	3S8	3S8	3S8	3S8	3S8	3S8	3S8
1-1/2		4S7	4S7	4S7	3S12	3S12	3S12	3S12	3S12
2"			4S9	4S9	4S9	4S9	4S9	4S9	4S9
Spring to Close									
1/2	2S5	2S5	2S5	2S5	2S5	2S5	2S5	2S5	2S5
3/4	3S4	3S4	2S8	2S8	2S8	2S8	2S8	2S8	2S8
1"	4S4	3S7	3S7	3S7	3S7	3S7	3S7	3S7	3S7
1-1/4	4S4	4S4	3S7	3S7	3S7	3S7	3S7	3S7	3S7
1-1/2		4S6	4S6	4S6	3S10	3S10	3S10	3S10	3S10
2"			4S7	4S7	4S7	4S7	4S7	4S7	4S7

Linkage Kit Selection Table - Imperial

Valve	size	EA4	-1	-2	-3	-4	-5	-6	-7
s64/74	1/2 ~ 1	LK-	8	8	9	9	-	-	-
	1-1/4 ~ 2	LK-			10	10	16	17	17
	2-1/2 ~ 4	LK-					18	18	18
S134	1/2 ~ 3/4	LK-	8	8	9	9	-	-	-
	1 ~ 1-1/2	LK-			11	11	19	20	20
	2"	LK-			10	10	16	17	17

Example - to mount an EA4-3 actuator on a 1/2" s64 valve, order an LK-9 mounting kit.

The company reserves all rights for the information contained herein. Products may be changed at any time without notice. Any undated reference to a code or standard shall be interpreted as referring to the latest edition. RuB and logo are registered trademarks of RuB-Rubnetterie Utensilerie Bonomi. Others logos are property of respective owners.



RuB EA Actuators

Compact Pneumatic Actuators

for 1/2" - 4" quarter turn valves



Tork Rating Charts for EA4 actuators

s.64, s.74 & s.134 **IMPERIAL SYSTEM**

Double acting - torque in In-lb											
EA2-	S#	40	50	60	70	80	90	100	110	120	PSI
1	0	35	44	53	62	71	80	89	98	106	
2	0	96	120	144	168	193	217	241	265	289	
3	0	206	258	309	361	413	464	516	567	619	
4	0	413	516	619	722	825	928	1032	1135	1238	
5	0	498	623	747	872	996	1121	1246	1370	1495	
6	0	821	1027	1232	1437	1642	1848	2053	2258	2464	
7	0	1522	1902	2283	2663	3044	3424	3804	4185	4565	

Spring return - torque in In-lb																									
EA2-	total	S#		spring stroke		air stroke - start												air stroke - end							
		outer	inner	start	end	air pres - PSI												air pres - PSI							
2	2			23	12	84	108	133	157	181	205	229	253	277	73	97	121	145	169	193	218	242	266		
	3			35	18	78	103	127	151	175	199	223	247	271	62	86	110	134	158	182	206	230	254		
	4			46	24	73	97	121	145	169	193	217	241	265	50	74	98	122	146	170	194	218	242		
	5			58	30	67	91	115	139	163	187	211	235	259	38	62	86	111	135	159	183	207	231		
	6			70	36		85	109	133	157	181	205	229	253		51	75	99	123	147	171	195	219		
	7			81	41		79	103	127	151	175	199	223	247		39	63	87	111	135	160	184	208		
	8			93	47			97	121	145	169	193	217	241			52	76	100	124	148	172	196		
	9			104	53				115	139	163	187	211	235				64	88	112	136	160	185		
	10			116	59				109	133	157	181	205	230				53	77	101	125	149	173		
	11			127	65					127	151	175	200	224					65	89	113	137	161		
	12			139	71						145	170	194	218						78	102	126	150		
	3	2			48	27	180	231	283	334	386	438	489	541	592	158	210	261	313	364	416	468	519	571	
3				72	40	166	218	270	321	373	424	476	528	579	134	186	237	289	340	392	444	495	547		
4				96	53	153	205	256	308	360	411	463	514	566	110	162	213	265	316	368	419	471	523		
5				120	66	140	192	243	295	346	398	449	501	553	86	138	189	241	292	344	395	447	499		
6				144	80		178	230	281	333	385	436	488	539		113	165	217	268	320	371	423	475		
7				168	93		165	217	268	320	371	423	474	526		89	141	193	244	296	347	399	450		
8				193	106			203	255	306	358	410	461	513			117	169	220	272	323	375	426		
9				217	119				242	293	345	396	448	499				144	196	248	299	351	402		
10				241	133				228	280	331	383	435	486				120	172	224	275	327	378		
11				265	146					267	318	370	421	473					148	199	251	303	354		
12				289	159						305	356	408	460							175	227	279	330	
4		2			91	59	354	457	560	663	766	869	972	1076	1179	322	425	528	631	735	838	941	1044	1147	
	3			136	89	324	427	530	633	737	840	943	1046	1149	277	380	483	586	689	792	896	999	1102		
	4			181	118	294	398	501	604	707	810	913	1016	1120	231	335	438	541	644	747	850	953	1057		
	5			227	148	265	368	471	574	677	781	884	987	1090	186	289	392	496	599	702	805	908	1011		
	6			272	177		338	442	545	648	751	854	957	1061		244	347	450	553	657	760	863	966		
	7			317	207		309	412	515	618	722	825	928	1031		199	302	405	508	611	714	818	921		
	8			362	236			382	486	589	692	795	898	1001			257	360	463	566	669	772	875		
	9			408	266				456	559	662	766	869	972				314	418	521	624	727	830		
	10			453	296				427	530	633	736	839	942				269	372	475	579	682	785		
	11			498	325					500	603	706	810	913						327	430	533	636	740	
	12			544	355						574	677	780	883							385	488	591	694	
	5	8	8	0	464	255	368	493	617	742	866	991	1115	1240		159	284	408	533	657	782	907	1031		
10		8	2	522	287		461	585	710	834	959	1083	1208			226	350	475	599	724	849	973			
12		8	4	580	319		429	553	678	803	927	1052	1176			168	292	417	541	666	791	915			
14		8	6	637	350			522	646	771	895	1020	1144				234	359	484	608	733	857			
16		8	8	695	382			614	739	863	988	1112	1236					301	426	550	675	799			
6	8	8	0	768	422	604	810	1015	1220	1426	1631	1836	2042		259	464	669	874	1080	1285	1490	1696			
	10	8	2	864	475		757	962	1168	1373	1578	1783	1989			368	573	778	984	1189	1394	1600			
	12	8	4	960	528		704	909	1115	1320	1525	1731	1936			272	477	682	888	1093	1298	1504			
	14	8	6	1056	581			856	1062	1267	1472	1678	1883				381	586	792	997	1202	1408			
	16	8	8	1152	634			904	1109	1314	1519	1724	1929				480	685	890	1095	1300	1505			
7	8	8	0	1423	782	1120	1500	1881	2261	2642	3022	3403	3783		479	860	1240	1621	2001	2382	2762	3143			
	10	8	2	1601	880	1022	1403	1783	2164	2544	2924	3305	3685		302	682	1063	1443	1823	2204	2584	2965			
	12	8	4	1778	978		1305	1685	2066	2446	2827	3207	3588			504	885	1265	1646	2026	2406	2787			
	14	8	6	1956	1075		1207	1588	1968	2349	2729	3109	3490			326	707	1087	1468	1848	2229	2609			
	16	8	8	2134	1173			1490	1870	2251	2631	3012	3392				529	909	1290	1670	2051	2431			

The company reserves all rights for the information contained herein. Products may be changed at any time without notice. Any undated reference to a code or standard shall be interpreted as referring to the latest edition. RuB and logo are registered trademarks of RuB-Rubiniere Utensilerie Bonomi. Others logos are property of respective owners.



s.130 Stainless Steel full port 1/4" - 4" NPT ball valves



Features and Specifications:

- CF8M Stainless Steel body and cap
- Approved by GOST-R (RU), Hygenic (RU), ROSTEKHNADZOR (RU)
- Glass filled PTFE seats
- 100% full port for maximum flow
- Dual sealing system allows valve to be operated in either direction making installation easier
- Blowout-proof Stainless Steel stem
- Handle stops on body to avoid stresses at stem
- Handle removable with valve in service
- Plastic coated Stainless Steel lockable handle
- Handle clearly shows ball position
- NPT taper ANSI B.1.20.1 Female by Female threads
- Test standard API 598
- Silicone-free lubricant on all seals
- 1000 PSI non-shock cold working pressure
- 2x10⁻² Torr Vacuum rating
- 150 PSI WSP steam rating
- Range: -50°F +450°F temperature
- NACE compliance MR-01-75.



***150 psig non-shock Working Steam Pressure.
Not suitable for throttling steam.
Ask our service center for specific suitability.**

Approved By:



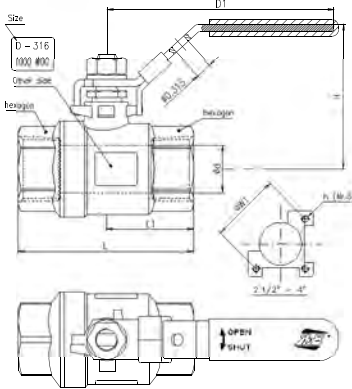
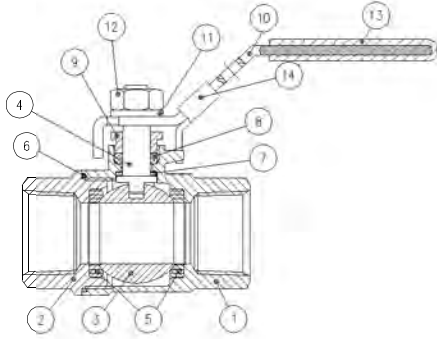
NOTE: Approvals apply to specific configurations only.



s.130 Stainless Steel full port 1/4" - 4" NPT ball valves



Technical Specifications:



PART DESCRIPTION		Material	Qty
1	Body	A351-CF8M	1
2	Cap	A351-CF8M	1
3	Ball	A351-CF8M	1
4	Stem	A276 Gr.316	1
5	Seat	PTFE+15%G/F	2
6	Gasket	PTFE	1
7	Thrust washer	PTFE	1
8	Packing	PTFE	1
9	Gland	A194 Gr.8	1
10	Lockable handle	A240 SS304	1
11	Lock washer	A493 SS304	1
12	Handle nut	A194 Gr.8	1
13	Handle sleeve	VINYL GRIP	1
14	Locking plate	A240 SS304	1

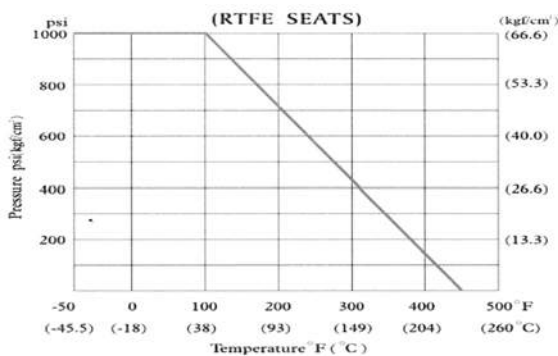
Code	130B41	130C41	130D41	130E41	130F41	130G41	130H41	130I41	130L41	130M41	130N41
D (Size)	1/4"	3/8"	1/2"	3/4"	1"	1 1/4"	1 1/2"	2"	2 1/2"	3"	4"
d (inch)	0.433	0.492	0.591	0.787	0.984	1.26	1.496	1.969	2.559	3.15	3.937
L (inch)	2.276	2.276	2.429	2.76	3.201	3.78	4.429	4.961	6.634	7.535	8.524
L1 (inch)	1.134	1.134	1.209	1.378	1.583	1.858	2.189	2.457	3.346	3.776	4.264
H (inch)	2.252	2.252	2.327	2.463	2.783	3	3.506	3.864	4.354	4.882	6.732
D1 (inch)	4.055	4.055	4.055	4.055	5	5	6.024	7.598	7.598	7.598	13.189
W1 (inch)	N/A	N/A	N/A	N/A	N/A	N/A	N/A	N/A	2.756	4.016	4.016
h	N/A	N/A	N/A	N/A	N/A	N/A	N/A	N/A	M8x1.25	M10x1.5	M10x1.5

Water Flow Ratings

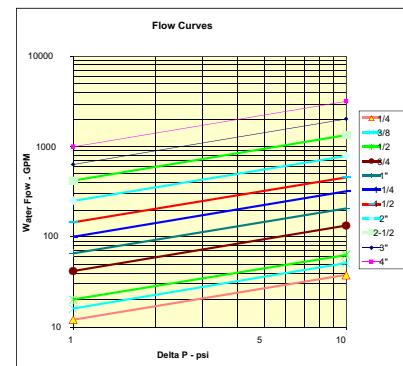
Size	1/4"	3/8"	1/2"	3/4"	1"	1 1/4"	1 1/2"	2"	2 1/2"	3"	4"
CV	12	16	20	42	65	101	144	250	422	640	1000

Ask for additional information on the whole range of RUB valves and consult with your supplier for special applications.

Pressure - Temperature Chart



Pressure Drop Chart



s.131 Stainless Steel reduced port 1/4" - 2" NPT ball valves



Features and Specifications:

- CF8M Stainless Steel body
- Approved by GOST-R (RU), Hygenic (RU), ROSTEKHNADZOR (RU)
- PTFE seats
- Dual sealing system allows valve to be operated in either direction making installation easier
- Blowout-proof Stainless Steel stem
- Handle stops on body to avoid stresses at stem
- Plastic coated Stainless Steel lockable handle
- Handle clearly shows ball position
- NPT taper ANSI B.1.20.1 Female by Female threads
- Test standard API 598
- Silicone-free lubricant on all seals
- 1000 PSI non-shock cold working pressure
- 2x10⁻² Torr Vacuum rating
- 150 PSI WSP steam rating
- Range: -50°F +400°F temperature
- NACE compliance MR-01-75



***150 psig non-shock Working Steam Pressure.
Not suitable for throttling steam.
Ask our service center for specific suitability.**

Approved By:



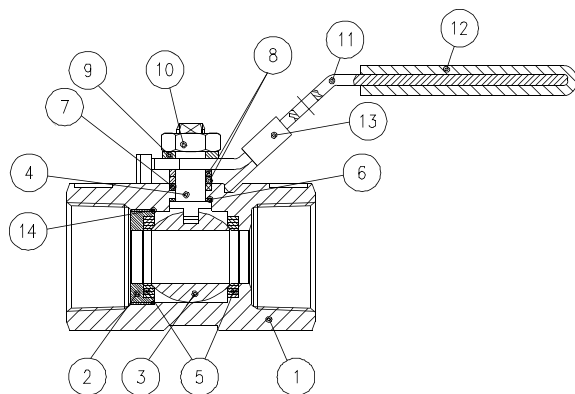
NOTE: Approvals apply to specific configurations only.



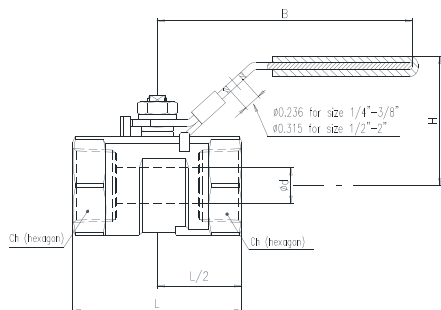
s.131 Stainless Steel reduced port 1/4" - 2" NPT ball valves



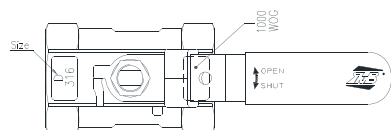
Technical Specifications:



PART DESCRIPTION		Material	Qty
1	Body	A351-CF8M	1
2	Insert	AISI 316	1
3	Ball	AISI 316 or A351-CF8M	1
4	Stem	A276 Gr.316	1
5	Seat	PTFE	2
6	Thrust washer	PTFE	1
7	Packing	PTFE	1
8	Washer	A240 SS304	2
9	Lock washer	A493 SS304	1
10	Stem nut	A194 Gr.8	1
11	Lockable handle	A240 SS304	1
12	Handle sleeve	VINYL GRIP	1
13	Locking plate	A240 SS304	1
14	Gasket	PTFE - ONLY 1.1/4"-2"	1



Code	131B41	131C41	131D41	131E41	131F41	131G41	131H41	131I41
D (Size)	1/4"	3/8"	1/2"	3/4"	1"	1.1/4"	1.1/2"	2"
d (inch)	0.197	0.276	0.362	0.492	0.591	0.787	0.965	1.260
L (inch)	1.535	1.732	2.205	2.323	2.795	3.110	3.268	3.937
H (inch)	1.370	1.390	1.807	1.846	1.862	2.189	2.280	2.547
B (inch)	2.756	3.110	3.661	3.661	4.409	4.409	5.315	5.315
Ch (inch)	0.669	0.827	0.984	1.260	1.496	1.929	2.087	2.559

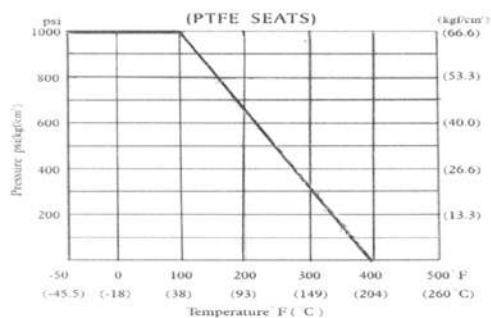


Ask for additional information on the whole range of RuB valves and consult with your supplier for special applications.

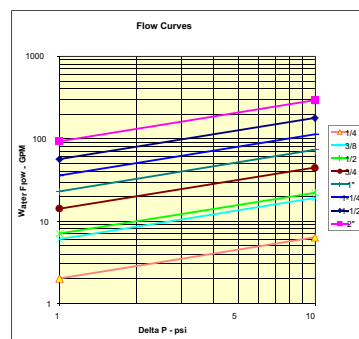
Water Flow Ratings

Size	1/4"	3/8"	1/2"	3/4"	1"	1.1/4"	1.1/2"	2"
CV	2	6	7	14	23	36	56	92

Pressure - Temperature Chart



Pressure Drop Chart



The company reserves all rights for the information contained herein. Products may be changed at any time without notice. Any undated reference to a code or standard shall be interpreted as referring to the latest edition. RuB and logo are registered trademark of RuB-Produktions GmbH. Other logos are property of respective owners.

s.132 Stainless Steel full port 1/4"-2" NPT ball valves



Features and Specifications:

- Design specification ANSI B16.34 CLASS 900
- CF8M Stainless Steel body and cap
- Approved by GOST-R (RU), Hygenic (RU), ROSTEKHNADZOR (RU)
- Molecularly enhanced PTFE seats (*)
- 100% full port for maximum flow
- Dual sealing system allows valve to be operated in either direction making installation easier
- Blowout-proof Stainless Steel stem
- Handle stops on body to avoid stresses at stem
- Handle removable with valve in service
- Plastic coated Stainless Steel lockable handle,
- Handle clearly shows ball position
- NPT taper ANSI B.1.20.1 Female by Female threads
- Test standard API 598
- Silicone-free lubricant on all seals
- 1/4" to 1" 2000 PSI 1.1/4" to 2" 1500 PSI non-shock cold working pressure
- 2x10⁻² Torr Vacuum rating
- 150 PSI WSP steam rating
- Range: -50°F +475°F temperature
- NACE compliance MR-01-75

(*) Molecular Enhanced-PTFE (ME-PTFE) is virgin PTFE (no glass or carbon fillers are used) which, due to its improved molecular structure, surpasses the mechanical properties of conventional filled PTFE materials.

Used in fluid sealing applications it provides superior performance in terms of high temperature strength, reduced creep distortion, and resistance to chemical attack.



***150 psig non-shock Working Steam Pressure.
Not suitable for throttling steam.
Ask our service center for specific suitability.**

Approved By:



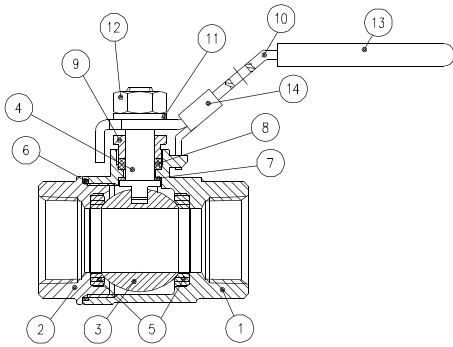
NOTE: Approvals apply to specific configurations only.



s.132 Stainless Steel full port 1/4"-2" NPT ball valves

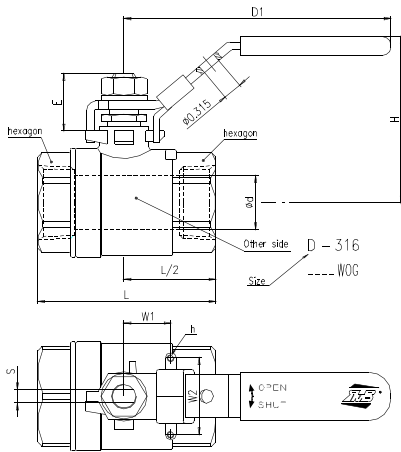


Technical Specifications:



PART DESCRIPTION		Material	Qty
1	Body	A351-CF8M	1
2	Cap	A351-CF8M	1
3	Ball	A351-CF8M	1
4	Stem	A276 Gr.316	1
5	Seat	ME-PTFE*	2
6	Gasket	ME-PTFE*	1
7	Thrust washer	ME-PTFE*	1
8	Packing	ME-PTFE*	1
9	Gland	A194 Gr.8	1
10	Lockable handle	A240 SS304	1
11	Lock washer	A493 SS304	1
12	Handle nut	A194 Gr.8	1
13	Handle sleeve	VINYL GRIP	1
14	Locking plate	A240 SS304	1

* ME-PTFE is Molecularly Enhanced PTFE



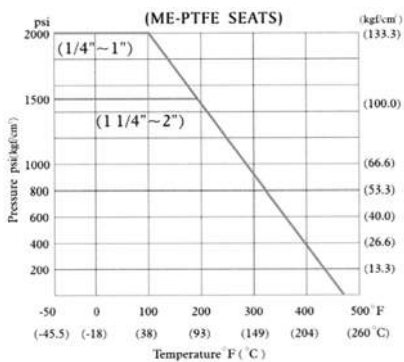
Code	132B41	132C41	132D41	132E41	132F41	132G41	132H41	132I41
D (Size)	1/4"	3/8"	1/2"	3/4"	1"	1.1/4"	1.1/2"	2"
d (inch)	0.433	0.492	0.591	0.787	0.984	1.26	1.575	2
L (inch)	2.343	2.343	2.539	3.031	3.563	3.917	4.646	5.374
E (inch)	0.61	0.61	0.571	0.799	0.748	1.098	1.051	1.051
S (inch)	0.215	0.215	0.215	0.244	0.244	0.37	0.37	0.37
H (inch)	2.244	2.244	2.268	2.697	2.862	3.453	3.661	4.106
D1 (inch)	4.055	4.055	4.055	5	5	6.142	7.598	7.598
W1 (inch)	0.5	0.5	0.5	0.882	0.882	1	1	1
W2 (inch)	1.122	1.122	1.122	1.378	1.378	1.5	1.5	1.5
h	M5x0.8	M5x0.8	M5x0.8	M6x1	M6x1	M6x1	M6x1	M6x1
---- WOG	2000	2000	2000	2000	2000	1500	1500	1500

Ask for additional information on the whole range of RUB valves and consult with your supplier for special applications.

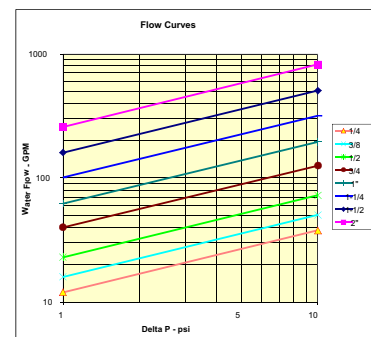
Water Flow Ratings

Size	1/4"	3/8"	1/2"	3/4"	1"	1.1/4"	1.1/2"	2"
CV	12	16	23	40	62	101	160	258

Pressure - Temperature Chart



Pressure Drop Chart



The company reserves all rights for the information contained herein. Products may be changed at any time without notice. Any undated reference to a code or standard shall be interpreted as referring to the latest edition. RUB and logo are registered trademarks of RUB-Rubertechnik idemstern Bismarck. Others logos are property of respective owners.



s.134 Actuable 1000 psi Stainless Steel Full Port 1/2"-2" NPT ball valves



Features and Specifications:

- Designed and tested per ANSI B16.34
- CF8M Stainless Steel housing
- Approved by GOST-R (RU), Hygenic (RU), ROSTEKHNADZOR (RU)
- AISI 316 Stainless trim
- Reinforced PTFE seats
- ISO 5211 actuator mounting pad allows direct mounting of RuB electric and pneumatic actuators, with no bracket or coupling required
- 100% full port for maximum flow
- Dual sealing system allows valve to be operated in either direction making installation easier
- No metal-to-metal moving parts
- Blowout-proof stem,
- Convertible for manual or actuated operation
- NPT taper ANSI B.1.20.1 Female by Female threads
- Silicone-free lubricant on all seals
- 1000 PSI CWP cold working pressure
- 150 PSI WSP steam rating
- 2x10⁻² Torr Vacuum rating
- Range: -50°F +450°F temperature
- NACE compliance MR-01-75



***150 psig non-shock Working Steam Pressure.
Not suitable for throttling steam.
Ask our service center for specific suitability.**

Options:

- Stainless steel lockable handle

Approved By:



NOTE: Approvals apply to specific configurations only.

S134 TORQS FOR SIZING ACTUATORS - in-lb.

Media lubricity clean water or similar fluids

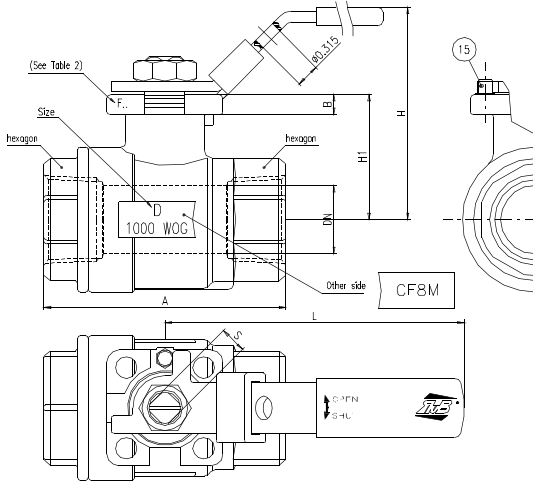
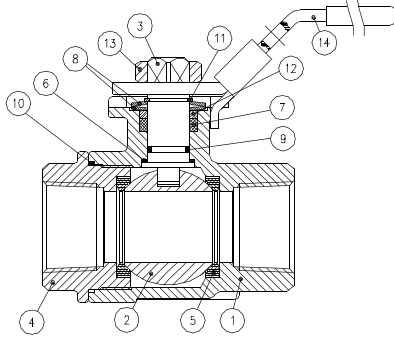
	ΔP 0~200 psi		ΔP 1000 psi	
	to open	to close	to open	to close
1/2"	50	28	50	28
3/4"	98	59	98	59
1"	242	158	266	174
1 1/4"	310	175	422	238
1"	400	250	608	380
2"	765	644	1492	1256



s.134 Actuable 1000 psi Stainless Steel Full Port 1/2"-2" NPT ball valves



Technical Specifications:



	PART DESCRIPTION	Material	Qty
1	Body	A351-CF8M	1
2	Ball	A351-CF8M	1
3	Stem	AISI 316	1
4	Cap	A351-CF8M	1
5	Seat	RTFE	2
6	Seat	RTFE	1
7	Packing	TFE	set
8	Bellville	SK5	2
9	O-ring	FPM	1
10	Gasket	RTFE	1
11	Snapping	AISI 304	1
12	Follower	AISI 316	1
13	Nut	AISI 304	1
14	Lockable handle	AISI 304	1
15	Stop pin	AISI 304	1

Code	134D41	134E41	134F41	134G41	134H41	134I41
D (Size)	1/2"	3/4"	1"	1.1/4"	1.1/2"	2"
DN (inch)	0.56	0.81	1	1.25	1.5	1.97
H1 (inch)	1.40	1.56	1.84	2	2.3	2.8
A (inch)	2.60	2.99	3.54	3.94	4.41	5
B (inch)	0.26	0.28	0.319	0.319	0.319	0.382
S (inch)	0.35	0.35	0.43	0.43	0.43	0.55
F.. (ISO 5211)	F03	F03	F04/F05	F04/F05	F04/F05	F05

Code	134D41L*	134E41L*	134F41L*	134G41L*	134H41L*	134I41L*
L (inch)	4.40	4.40	5.87	5.87	5.87	7.5
H (inch)	2.50	2.66	3.14	3.3	3.6	4.5

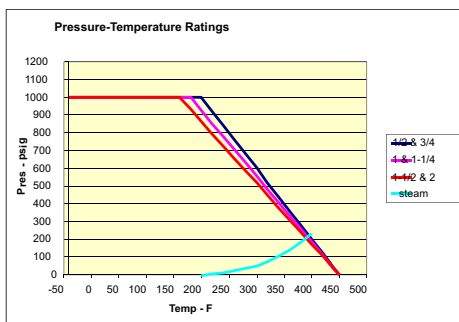
* Ball valves fitted with stainless steel lock lever handle

Ask for additional information on the whole range of RuB valves and consult with your supplier for special applications.

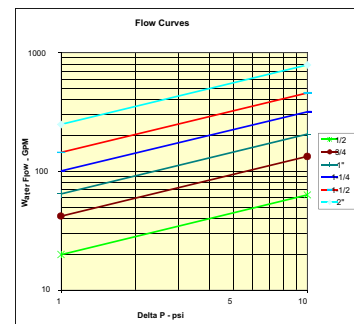
Water Flow Ratings

Size	1/2"	3/4"	1"	1.1/4"	1.1/2"	2"
CV	20	42	65	101	145	250

Pressure - Temperature Chart



Flow Curves



The company reserves all rights for the information contained herein. Products may be changed at any time without notice. Any undated reference to a code or standard shall be interpreted as referring to the latest edition. RuB and logo are registered trademark of RuB-Produktions GmbH. Other logos are property of respective owners.

Instrumentation Package

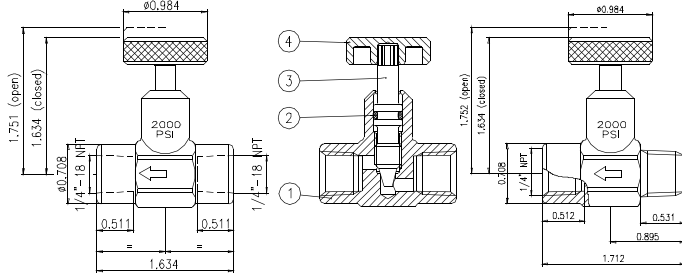


- 1/4" Needle Valve (2000 psi), #SNI7352
- 3 1/2" Thermometer Well (1000 psi), #PNI34F2
- 1/4" Snubber (1000 psi), #SNI8722

For descriptions, applications and drawings see reverse.



Instrumentation Package

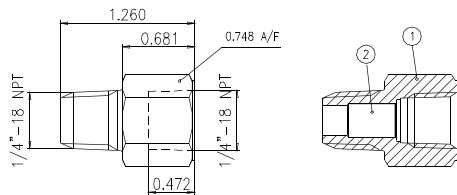


NEEDLE VALVE PART DESCRIPTION	Material	Q.ty
1 Unplated valve body	CW617N	1
2 O-Ring	FPM	1
3 Retainer	CW617N	1
4 Handwheel	CW617N	1

Needle Valve:

- 2000 psi (CWP)
- One piece body construction
- Forged brass body
- Fip x Fip NPT threads
- Temp range 40 F to + 350 F
- FPM stem seal design

Applications include shut off and throttling for pressure gauges and instruments



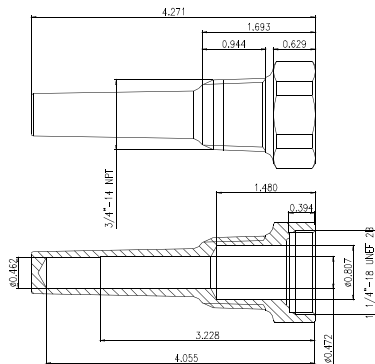
SNUBBER PART DESCRIPTION	Material	Q.ty
1 Unplated body	CW617N	1
2 Bronze core	Bronze	1

Snubber:

- 1000 psi (CWP)
- Forged brass with bronze core
- Temp range 40 F to +350 F

Installed on gauges and instruments where pressure pulsations are present.

The snubber is used to damp the pulsations, giving more stable readings and reducing instrument wear.



WELL PART DESCRIPTION	Material	Q.ty
1 Unplated body	CW617N	1

Thermometer Well:

- 1000 psi (CWP)
- Forged brass construction
- Meets Fed. Spec GG-T-321
- Meets SAMA RC-17-10

Thermometer wells are used to protect the thermometer stem and allow removal of the thermometer from pipelines or vessels without draining.

The company reserves all rights for the information contained herein. Products may be changed at any time without notice. Any unlisted references to a code or standard shall be interpreted as referring to the latest edition. RUB and logo are registered trademarks of RUB-Instrumentation. Other logos are property of respective owners.



SNI7352

1/4" Needle Valve



The new **RuB** needle valve proves the state of the art of **RuB** innovation capabilities.

This inexpensive valve is designed to ease flow regulation in all applications where drops are counted like gold!

The flow chart on reverse compares the **RuB** linear curve performance with competition and it is obvious how by counting the number of turns, the operator can easily adjust flow.

All details of the **RuB** needle valve have been optimized to provide utmost performance, reliability and no maintenance.

Another "Install and Forget" **RuB** product.

Features and Specifications:

- Approved by Underwriters Laboratories (UL), Canadian Underwriters Laboratories (cUL)
- Innovative design
- Tamper proof
- Maintenance-free
- Performance guaranteed
- Travel stop on stem prevents stem blow-out
- Easy flow regulation
- One piece body construction
- Hot forged brass body
- FPM stem seal design
- Fip x Fip NPT threads
- 2000 psi (CWP)
- Temp range 40° F to + 350° F (Warning: freezing of the fluid in the installation may severely damage the valve).



Options:

- Mip x Fip NPT threads

Upon Request:

- 1/8" NPT threads

Applications include shut off and throttling for pressure gauges and instruments

Approved By:



NOTE: Approvals apply to specific configurations only.

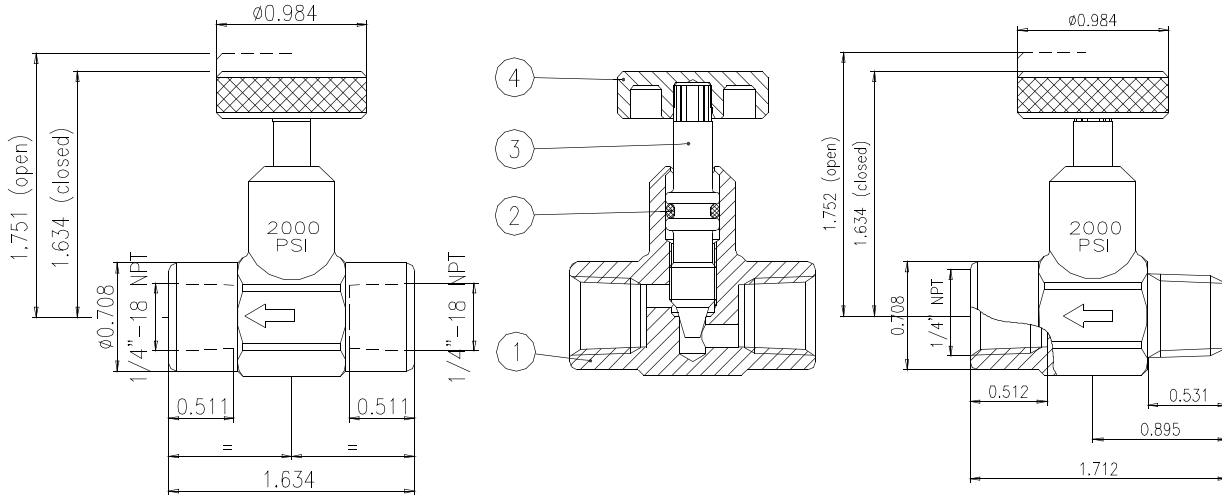


SNI7352

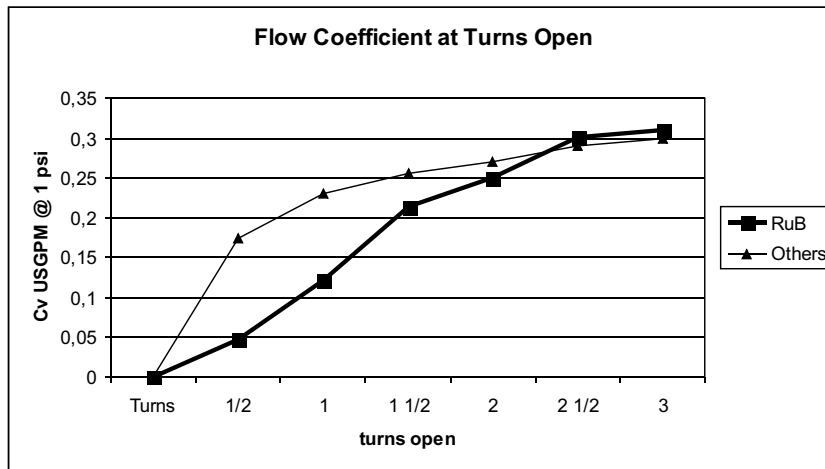
1/4" Needle Valve



Technical Specifications:



NEEDLE VALVE PART DESCRIPTION		Material	Q.ty
1	Unplated valve body	CW617N	1
2	O-Ring	FPM	1
3	Retainer	CW614N	1
4	Handwheel	CW614N	1



Ask for additional information on the whole range of RuB valves and consult with your supplier for special applications.

The company reserves all rights for the information contained herein. Products may be changed at any time without notice. Any undated reference to a code or standard shall be interpreted as referring to the latest edition. RuB and logo are registered trademarks of RuB-Produktionsvertriebsunternehmen Bremen. Other logos are property of respective owners.



s.7441 3 Way Diverting standard port 1/2" - 1" hot forged brass ball valves



RuB s.7441 range is the right choice for fluid diversion.

It is designed with robust maintenance-free components ensuring ease of operation and safety. With a simple 90° turn, one can divert flow from one downstream outlet to the other. It combines traditional manual operation with modern automation.

In fact, it is very easy to convert from its steady lever handle to actuator ISO 5211 flange assembly. It features low operating torque and a special self-compensating seat design that successfully passed 100,000 cycle life tests.

You can purchase the valve alone or with a RuB actuator already mounted..

Features and Specifications:

- 3-way L design for flow diversions
- Hot forged sand blasted, unplated brass body and cap sealed with Loctite or equivalent thread sealant
- Finest brass according to EN 12165 and EN 12164 (formerly DIN 17660 and UNI 5705-65) specifications
- ISO 5211 and DIN 3337 mounting flange for universal connection to actuator, Standard port for compact design
- Electronic 100% seal test guaranteed
- Reinforced PTFE self-lubricating seats with flexible-lip and wear compensation design
- Chrome plated solid brass ball
- No metal-to-metal moving parts
- Nickel plated blowout-proof brass stem
- Two FPM O-rings at the stem for maximum safety
- No maintenance ever required
- NPT taper ANSI B.1.20.1 Female threads
- Silicone-free lubricant on all seals
- 450 PSI non-shock cold working pressure
- Range: -4°F +350°F temperature (Warning: freezing of the fluid in the installation may severely damage the valve).

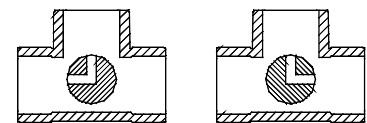


Options:

- Electric and pneumatic actuator
- Direct actuator mounting ISO 5211
- Lockable handle with stop
- Adapter flange kit with screws
- Stainless trim,
- Special valve configurations available upon request.



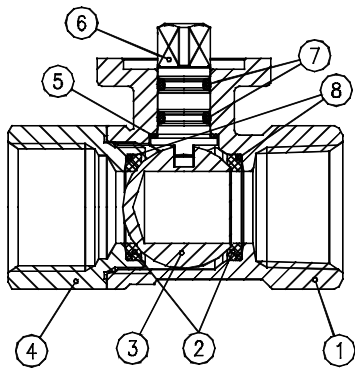
S.74 3-way "L" port mounting plan



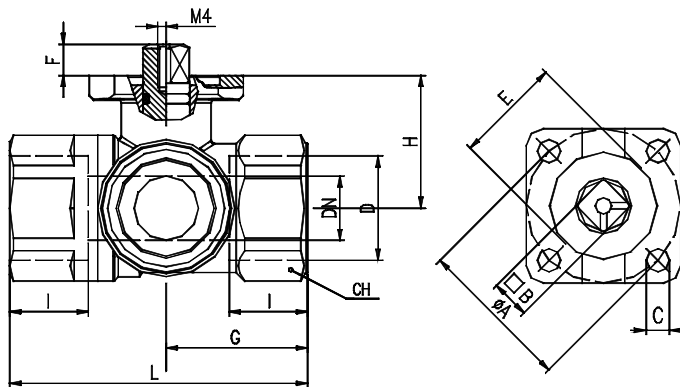
RuB Electric and Pneumatic Actuator



Technical Specifications:



PART DESCRIPTION	Q.ty	Material
1 Unplated body	1	CW617N
2 Ball seat	2	Pife graphite filled 15%
3 Chrome plated ball	1	CW617N
4 Unplated end cap	1	CW617N
5 Washer	1	Pife carbon filled 25%
6 Nickel plated stem O-Ring design	1	CW617N
7 O-Ring	2	FPM
8 O-Ring	2	FPM



Valve code	S74D41	S74E41	S74F41
D (Inch)	1/2	3/4	1
DN(inch)	0.590	0.590	0.787
I (inch)	0.610	0.709	0.826
L (inch)	2.638	2.736	3.228
G (inch)	1.299	1.299	1.614
H (inch)	1.220	1.220	1.516
CH (inch)	1.220	1.220	1.496
ØA(inch)	1.417	1.417	1.417
□ B(inch)	0.354	0.354	0.354
C (inch)	0.220	0.220	0.220
øE(inch)	0.984	0.984	0.984
F(inch)	0.295	0.295	0.335
Flange connection DIN ISO 5211 DIN 3337	F03	F03	F03

Ask for additional information on the whole range of RuB valves and consult with your supplier for special applications.

Torque for Actuator Sizing N.m

Delta P →	0 = 450 PSI	
Valve size	To open	To close
1/2"	27	16
3/4"	27	16
1"	36	20

Torque correction factors

Valve torque can vary according to operating frequency, temperature, and friction characteristics of the media.

If media has more or less friction than water, multiply torque by the following factors.

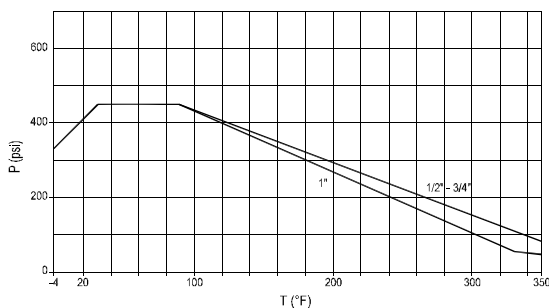
Lubricating oils or liquids 0.8

Dry gases, superheated steam 1.5

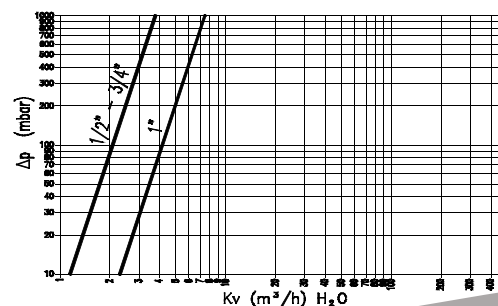
Slurries or liquids bearing abrasive particles 1.5÷2.5

For other conditions please inquire of your RuB representative or distributor

Pressure - Temperature Chart



Pressure Drop Chart



s.95 NPT spring return full port 1/4"-2" hot forged brass ball valves



Access to fluid systems in public places could potentially convert into costs and safety problems.

In order to avoid unattended valves being left open with negative economic or environmental consequences, RuB developed the automatic self-closing valve.

The valve can be opened normally by rotating the handle 90° and when the user releases the handle, the valve shuts off automatically.

Best solution for service stations, trucks, public areas, gardens. The same features are also useful in industrial applications, where a valve must not be left open unattended.

Features and Specifications:

- Hot forged sand blasted, unplated brass body and cap sealed with Loctite or equivalent thread sealant
- Approved by CSA International, Underwriters Laboratories (UL), Canadian Underwriters Laboratories (cUL), Factory Mutual (FM). UkrSepro (U)
- Finest brass according to EN 12165 and EN 12164 (formerly DIN 17660 and UNI 5705-65) specifications
- Robust spring ensures auto shut-off with max pressure in valve
- Full port to DIN 3357 for maximum flow
- 24h 100% seal test guaranteed
- Pure PTFE self-lubricating seats with flexible-lip design
- Dual sealing system allows valve to be operated in either direction making installation easier
- Chrome plated brass ball for longer life
- No metal-to-metal moving parts
- Blowout-proof nickel plated brass stem, Two FPM O-rings at the stem for maximum safety
- No maintenance ever required
- Handle stops on body to avoid stresses at stem
- Geomet® carbon steel handle with thick PVC dip coating
- Handle clearly shows ball position
- NPT taper ANSI B.1.20.1 Female by Female threads
- Silicone-free lubricant on all seals
- 600 PSI non-shock cold working pressure
- Range: -40°F +350°F temperature (Warning: freezing of the fluid in the installation may severely damage the valve).



Options:

- AISI 430 stainless steel handle.

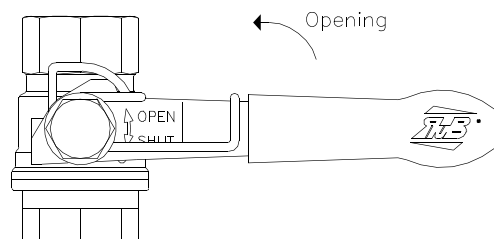
Upon request:

- AISI 316 stainless steel ball and/or stem,
- Custom design.

Approved By:



NOTE: Approvals apply to specific configurations/sizes only.



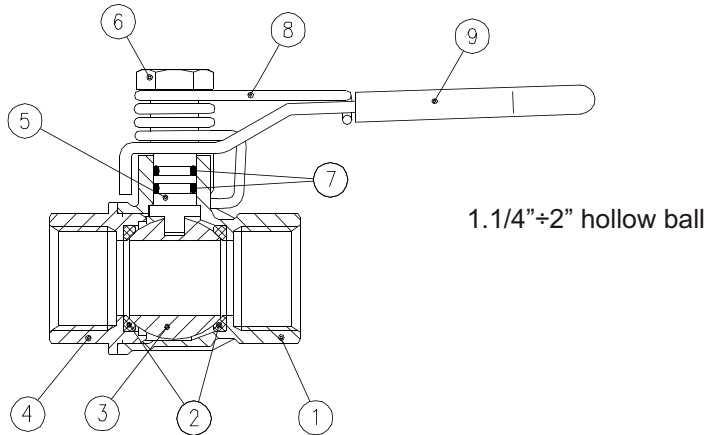
Ball valve is normally closed.



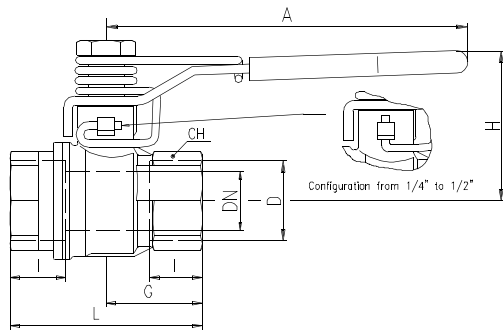
s.95 NPT spring return full port 1/4"-2" hot forged brass ball valves



Technical Specifications:



PART DESCRIPTION	Q.ty	Material
1 Unplated NPT body	1	CW617N
2 Seat	2	Ptfe
3 Chrome plated ball	1	CW617N
4 Unplated NPT end cap	1	CW617N
5 Nickel plated stem O-ring design	1	CW617N
6 Unplated spring nut	1	CW617N
7 O-ring	2	FPM
8 Spring return	1	AISI302
9 Yellow PVC coated geomet [®] steel handle	1	DD11

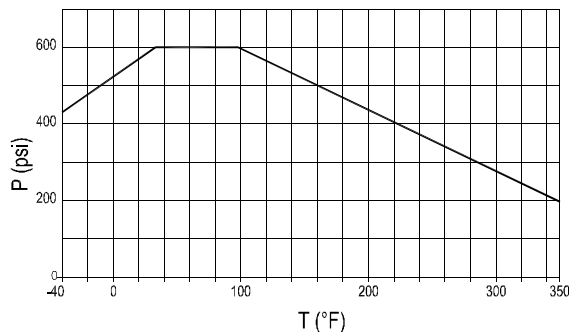


DN shows the nominal flow diameter.
Actual flow diameter complies with full port DIN 3357 part 4.

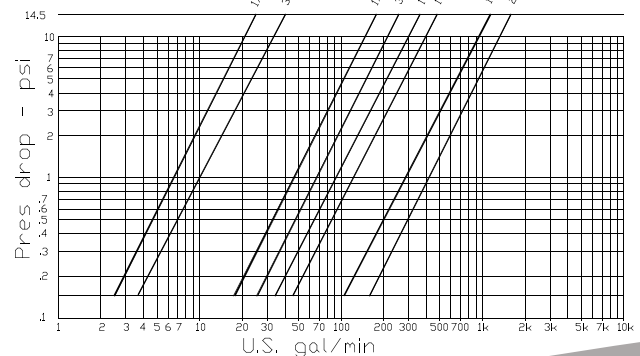
Code	S95B41MR	S95C41MR	S95D41MR	S95E41MR	S95F41MR	S95G41MR	S95H41MR	S95I41MR
D (inch)	1/4	3/8	1/2	3/4	1	1 1/4	1 1/2	2
DN (inch)	0.314	0.393	0.590	0.787	0.984	1.259	1.574	1.968
I (inch)	0.472	0.472	0.610	0.669	0.826	0.905	0.905	1.043
L (inch)	1.771	1.771	2.322	2.519	3.188	3.661	4.015	4.763
G (inch)	0.885	0.885	1.161	1.259	1.594	1.830	2.007	2.381
A (inch)	3.937	3.937	3.937	4.724	4.724	6.220	6.220	6.220
H (inch)	1.504	1.504	1.679	1.956	2.114	2.858	3.094	3.370
CH (inch)	0.787	0.787	0.984	1.220	1.574	1.929	2.125	2.696

Ask for additional information on the whole range of RuB valves
and consult with your supplier for special applications.

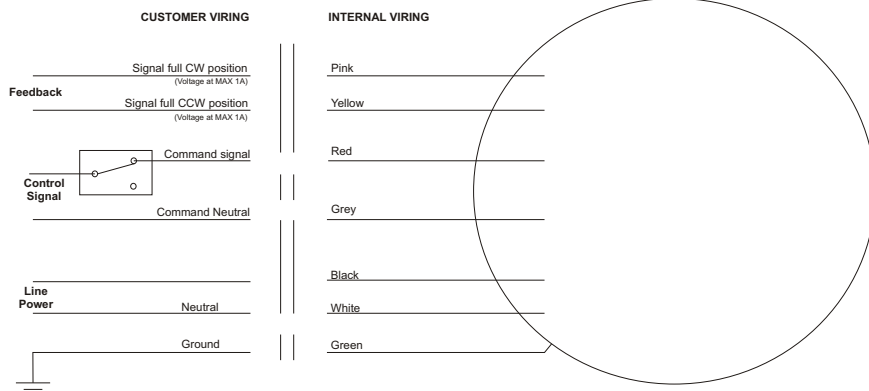
Pressure - Temperature Chart



Pressure Drop Chart



SIMPLIFIED DIAGRAM FOR 2-WIRE CONTROL



“2 point command : the command is made by a simple switch or button (manually or automatically operated e.g. Traditional thermostat). Closing the control switch will cause the actuator to travel to the full CCW position. Opening the control switch will cause the actuator to travel to the full CW position. If the actuator is mounted on a ball valve, closing the control switch will open the ball valve, and vice versa. Upon request, the command voltage may differ from the motor power voltage.”

DIAGRAM FOR 3-WIRE CONTROL (CW CLOSING)

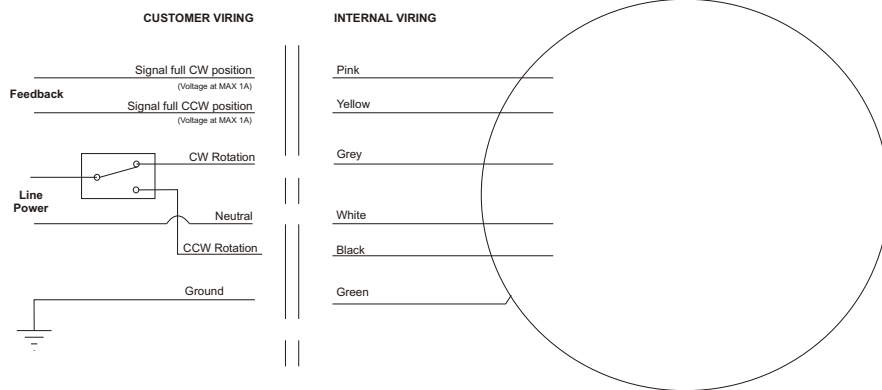
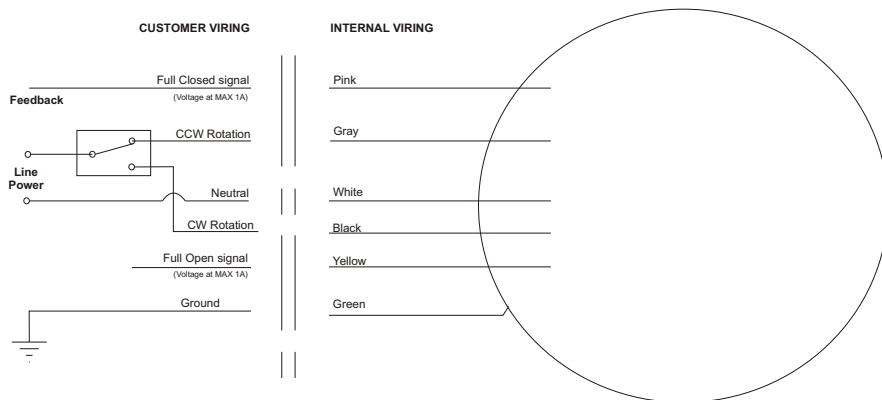


DIAGRAM FOR 3-WIRE CONTROL (CCW CLOSING)

Note: affix label to highlight the new position indicator OPEN-SHUT



Note: If the limit switch signals are not to be used the yellow and pink wires must be capped to prevent accidental short circuits

3 point command: the command is made by a switch (manually or automatically operated e.g. 3 points thermostat), which diverts the voltage to the opening wire or to the closing wire reaching the actuator; the switch may be on open or on closed position; using a specific control, engine can stop in any intermediate position.

The company reserves all rights for the information contained herein. Products may be changed at any time without notice. Any undated reference to a code or standard shall be interpreted as referring to the latest edition. RuB and logo are registered trademark of RuB-Rubinetteria utensilerie Bonomi. Others logos are property of respective owners.



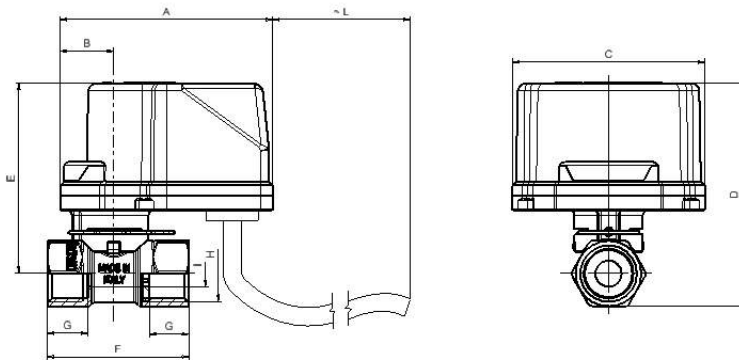
CP Electric Actuator & s.31 mini Compact Power



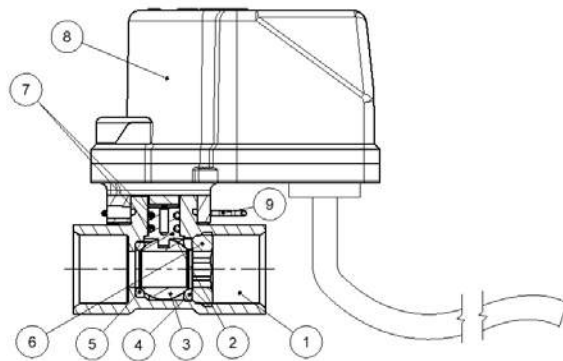
This newly engineered valve features all the good characteristics of the s35 RuB mini valve, in particular:

Features and Specifications:

- Dual sealing system allows valve to be operated in either direction making installation easier
- Pure PTFE self-lubricating seats
- Two FPM O-rings at the stem
- Compatible with most industrial fluids including those too viscous for pilot operated valves
- 100% seal test guaranteed in according to EN12266-1 RATE A in either direction
- Working ΔP 0 to 230 psi, can operate also in vacuum lines
- Silicone-free lubricant
- Strong one piece body construction



Code	1/4 NPT	3/8 NPT	1/2 NPT	3/4 NPT
A[inch]	3,189	3,189	3,189	3,189
B[inch]	0,807	0,807	0,807	0,807
C[inch]	2,894	2,894	2,894	2,894
D[inch]	3,346	3,346	3,346	3,583
E[inch]	2,854	2,854	2,854	2,972
F[inch]	1,799	1,799	2,126	2,417
G[inch]	0,472	0,472	0,610	0,669
H	1/4"	3/8"	1/2"	3/4"
I[inch]	0,315	0,394	0,394	0,500
L[inch]	31,496	31,496	31,496	31,496
Threads standard	ANSI B1.20.1			



PART DESCRIPTION		Q.ty	Material
1	Sand blasted unplated body	1	CW617N
2	Unplated stem	1	CW617N
3	Chrome plated ball	1	CW617N
4	Retainer seat	1	PTFE
5	Body seat	1	PTFE
6	Unplated retainer nut	1	CW617N
7	O-ring	2	FPM
8	Compact power electro actuator	1	-
9	Spring clip	1	AISI 304

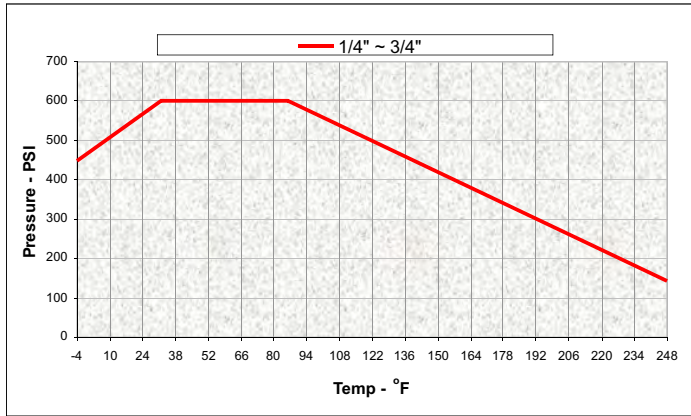
The company reserves all rights for the information contained herein. Products may be changed at any time without notice. Any undated reference to a code or standard shall be interpreted as referring to the latest edition. RuB and logo are registered trademark of RuB-Rubinerletterie utensilerie Bonomi. Others logos are property of respective owners.



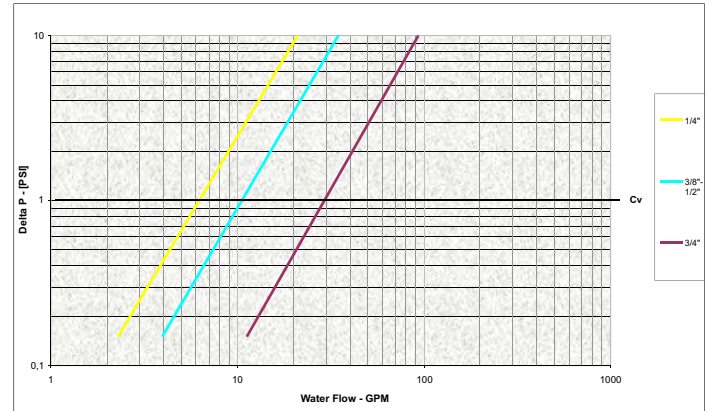
CP Electric Actuator & s.31 mini Compact Power



Pressure -Temperature chart*



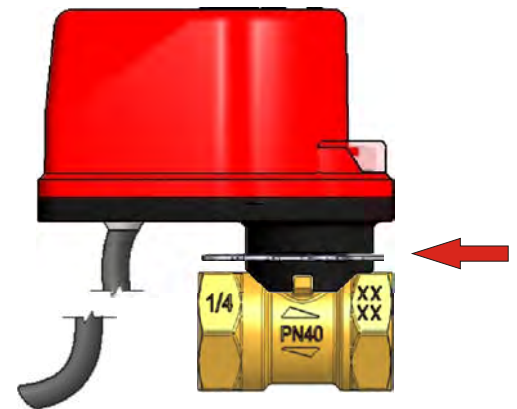
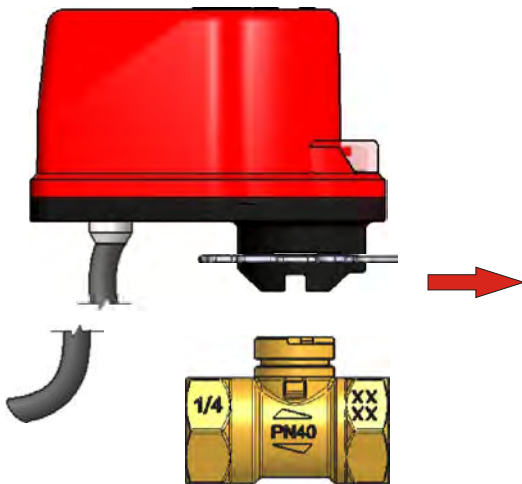
Pressure drop chart



*DELTA P MAX PERMISSIBLE 230 PSI

Quick Direct Assembly on RuB s.31 mini valve:

1. Set the actuator with spring clip slide to the right (open position)
2. Assemble the actuator on top of valve
3. Move spring clip to the left to lock actuator on valve



The company reserves all rights for the information contained herein. Products may be changed at any time without notice. Any undated reference to a code or standard shall be interpreted as referring to the latest edition. RuB and logo are registered trademark of RuB-Rubinetteria utensileria Bonomi. Others logos are property of respective owners.



CP Electric Actuator & s.64LT Full Port Compact Power



This RuB ball valve is specifically designed for heavy duty actuation and offers utmost reliability and performance, in particular:

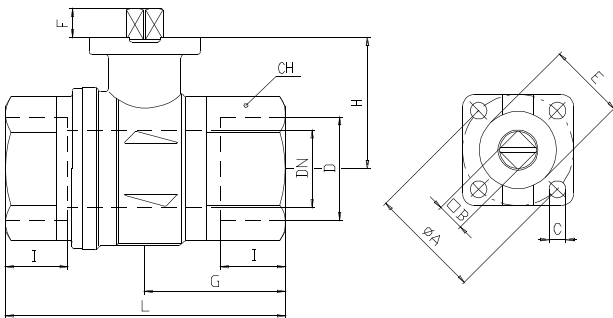
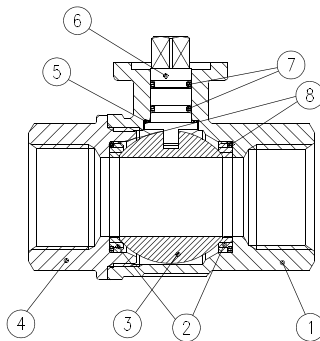
Features and Specifications:

- Dual sealing system allows valve to be operated in either direction making installation easier
- Reinforced PTFE self-lubricating seats with flexible-lip and wear compensation design
- Two FPM O-rings at the stem
- Compatible with most industrial fluids including those too viscous for pilot operated valves
- 100% seal test guaranteed in according to EN12266-1 RATE A in either direction
- Working ΔP 0 to 230 psi, can operate also in vacuum lines
- Silicone-free lubricant on all seals
- 100% full port for maximum flow
- No metal-to-metal moving parts
- No maintenance ever required



Options:

- Stainless trim
- s.64LT ball valves are available through 2" size
- Special valve configurations available upon request



PART DESCRIPTION	Q.ty	Material
1 Unplated body	1	CW617N
2 Ball seat	2	Ptfe graphite * filled 15%
3 Chrome plated ball	1	CW617N
4 Unplated end cap	1	CW617N
5 Washer	1	Ptfe carbon filled 25%
6 Nickel plated stem O-Ring design	1	CW617N
7 O-Ring	2	FPM
8 O-Ring	2	FPM

*For 1" size material seats is carbographtite

Code	S64D41	S64E41	S64F41A
D (inch)	1/2	3/4	1
DN(inch)	0.590	0.787	0.984
I (inch)	0.610	0.708	0.826
L (inch)	2.598	2.933	3.562
G (inch)	1.201	1.456	1.791
H (inch)	1.220	1.515	1.673
CH(inch)	1.063	1.259	1.614
ØA(inch)	1.417	1.417	1.417
□B(inch)	0.354	0.354	0.354
C (inch)	0.220	0.220	0.220
E(inch)	0.984	0.984	0.984
F(inch)	0.295	0.334	0.334
Flange connection DN 150-3211 EN 3337	F03	F03	F03

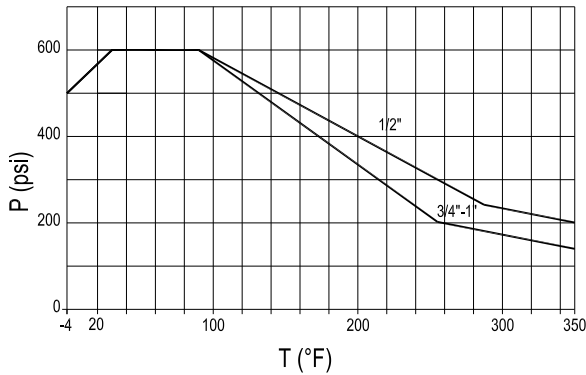
The company reserves all rights for the information contained herein. Products may be changed at any time without notice. Any undated reference to a code or standard shall be interpreted as referring to the latest edition. RuB and logo are registered trademark of RuB-Rubinetteria utensilerie Bonomi. Others logos are property of respective owners.



CP Electric Actuator & s.64LT Full Port Compact Power

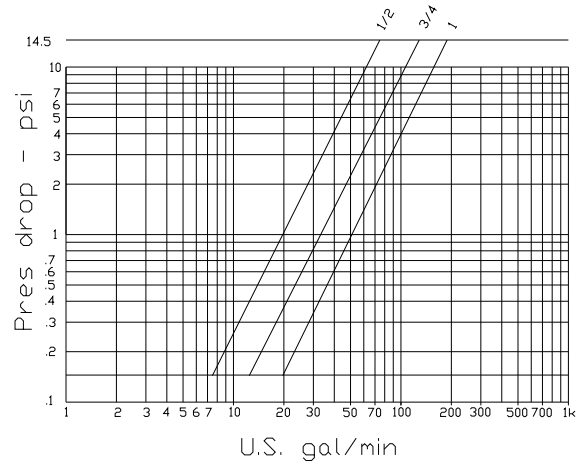


Pressure -Temperature chart*



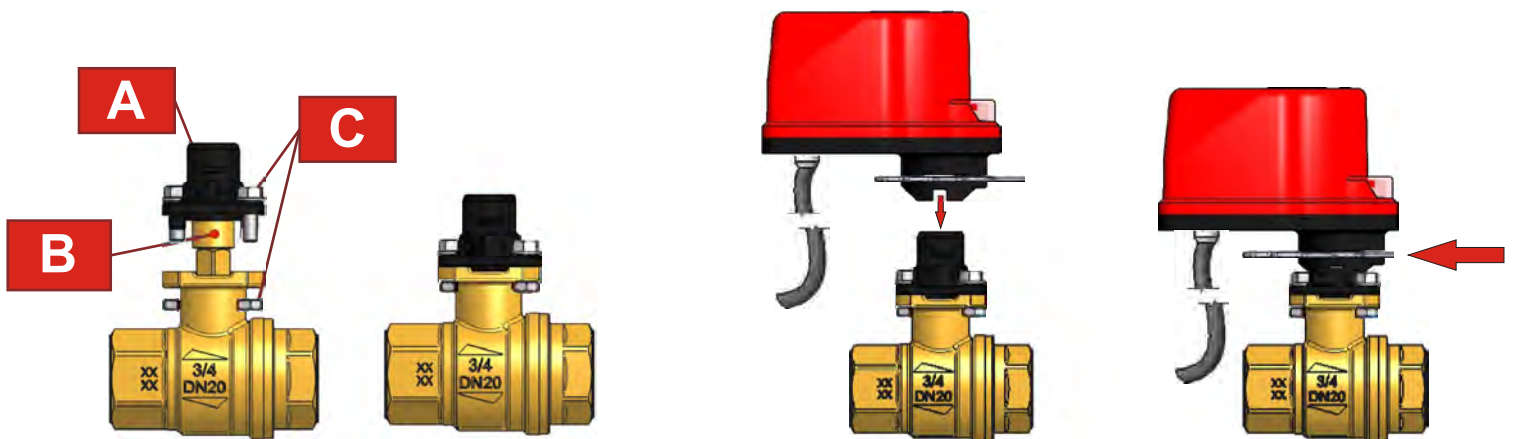
*DELTA P MAX PERMISSIBLE 230 PSI

Pressure drop chart



Assembly on RuB s.64 valve:

1. Position the ball of the valve to match the position (open / closed) of the actuator
2. Mount stem adaptor (A) and F03 adaptor (B) on top of valve flange and fix it with two screws and nuts (C)
3. Set the actuator with spring clip slide to the right (open position)
4. Assemble the actuator on top of adaptor
5. Move spring clip to the left to lock actuator on valve



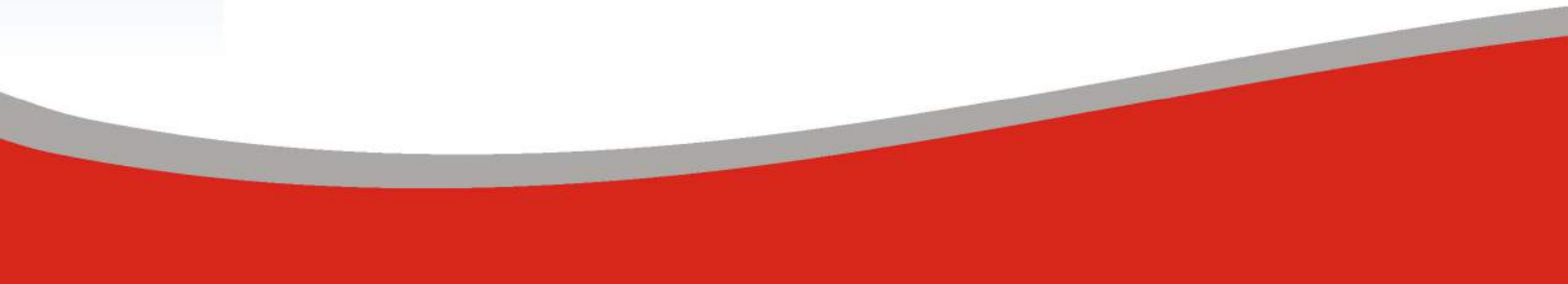
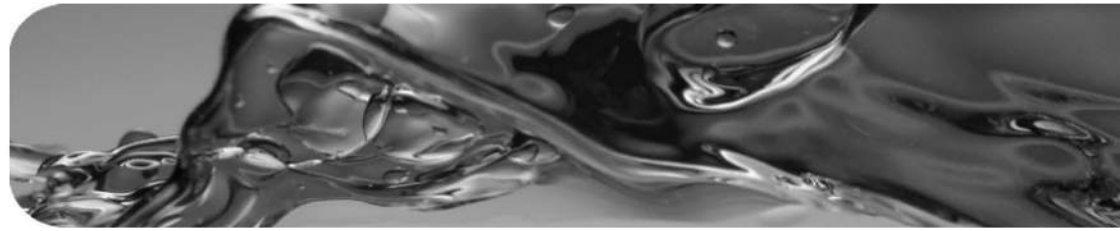
The company reserves all rights for the information contained herein. Products may be changed at any time without notice. Any undated reference to a code or standard shall be interpreted as referring to the latest edition. RuB and logo are registered trademark of RuB-Rubinetteria utensilerie Bonomi. Others logos are property of respective owners.





PNEUMATIC





s.93 NPT downstream exhaust full port 1/4" - 2" hot forged brass ball valves



RuB s.93 range exhausts automatically and continuously downstream air pressure as soon as turned in the closed position.

Valve is lockable in the closed position only, according to Part. 1910.147 safety OSHA (USA) requirements allowing safe maintenance of the air-supplied equipment; when valve is open, one simple 90° turn of the handle shuts flow immediately.

We care for those you care for.

Features and Specifications:

- Hot forged sand blasted nickel plated brass body and cap sealed with Loctite,
- Approved by GOST-R (RU), Hygenic (RU), ROSTEKHNADZOR (RU),
- The valve body includes a tapped downstream depressurization venting outlet to direct exhaust air and assemble mufflers for noise control,
- Finest brass according to EN 12165 and EN 12164 (formerly DIN 17660 and UNI 5705-65) specifications,
- Full port to DIN 3357 for maximum flow,
- Glass filled PTFE self-lubricating seats with flexible-lip design,
- Chrome plated brass ball for longer life,
- No metal-to-metal moving parts,
- Blowout-proof brass stem,
- Pure PTFE adjustable packing gland and washer for lower torque and easy maintenance,
- Handle stops on body to avoid stresses at stem,
- Handle removable with valve in service,
- Geomet® carbon steel lockable handle patent n. 7074-B/90 with thick PVC deep coating,
- Handle clearly shows ball position,
- NPT taper ANSI B.1.20.1 Female by Female threads
- Silicone-free lubricant on all seals,
- 200 PSI non-shock cold working pressure
- Range:+15°F +210°F temperature (Warning: freezing of the fluid in the installation may severely damage the valve).



Options:

- EN 10226-1, ISO 228 Female by Female parallel threads
- ISO 7/1 BSPT Taper Female by Female threads
- Non-locking Geomet® carbon steel lever handle
- AISI 430 stainless steel handle

Upon request:

- AISI 316 stainless steel ball and/or stem
- Custom design

Approved By:



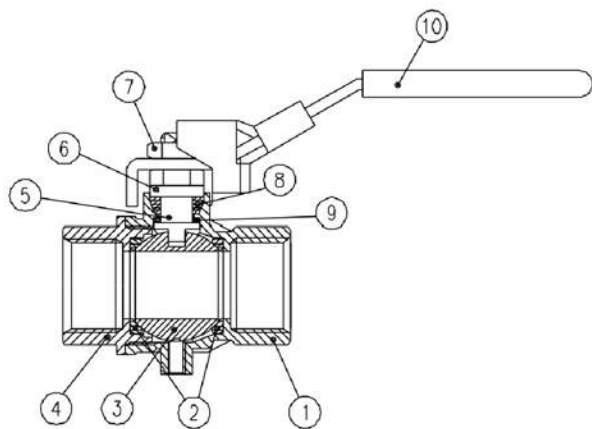
NOTE: Approvals apply to specific configurations only.



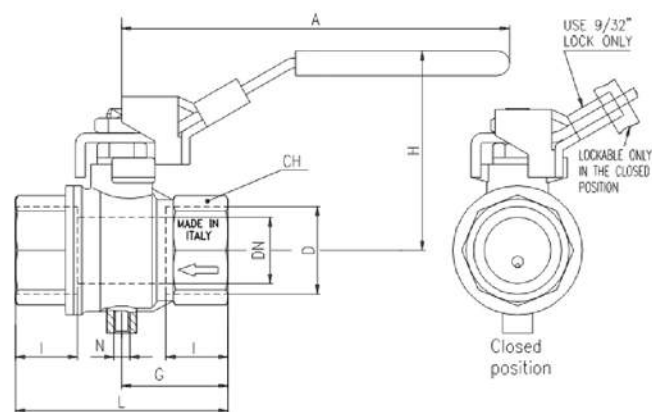
s.93 NPT downstream exhaust full port 1/4" - 2" hot forged brass ball valves



Technical Specifications:



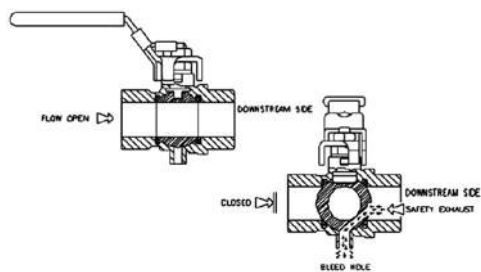
	PART DESCRIPTION	Q.ty	Material
1	Nickel plated body	1	CW617N
2	Seat	2	Ptfe glass filled 5-15%
3	Chrome plated ball	1	CW617N
4	Nickel plated end cap	1	CW617N
5	Nickel plated stem packing gland design	1	CW617N
6	Nickel plated gland nut	1	CW617N
7	Geomet® nut	1	CB4FF
8	Packing gland seal	1	Ptfe
9	Washer	1	Ptfe carbon filled 25%
10	Light blue PVC coated geomet® steel lockable handle	1	DD11



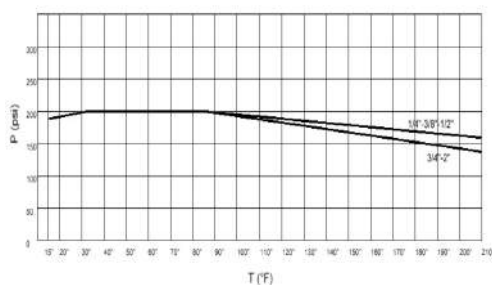
Code	S93B41	S93C41	S93D41	S93E41	S93F41	S93G41	S93H41	S93I41
D (inch)	1/4	3/8	1/2	3/4	1	1 1/4	1 1/2	2
DN(inch)	0.314	0.393	0.590	0.787	0.984	1.260	1.575	1.969
I (inch)	0.472	0.472	0.610	0.669	0.826	0.906	0.906	1.043
L (inch)	1.771	1.771	2.322	2.519	3.188	3.661	4.016	4.764
G (inch)	0.885	0.885	1.161	1.259	1.594	1.831	2.008	2.382
A (inch)	3.759	3.759	3.759	4.574	4.574	6.161	6.161	6.161
H (inch)	1.906	1.906	2.014	2.364	2.530	3.148	3.396	3.661
CH(inch)	0.787	0.787	0.984	1.220	1.574	1.929	2.126	2.697
N	10-32 UNF					1/4" NPT		

DN shows the nominal flow diameter.
Actual flow diameter complies with full port DIN 3357 part 4.

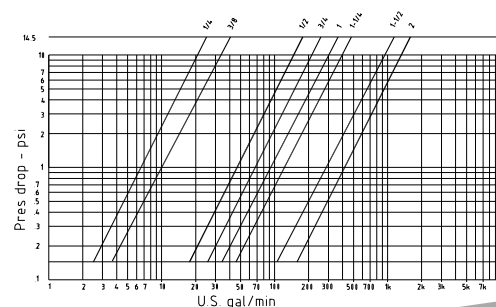
Ask for additional information on the whole range of RuB valves
and consult with your supplier for special applications.



Pressure - Temperature Chart



Pressure Drop Chart



The company reserves all rights for the information contained herein. Products may be changed at any time without notice. Any undated reference to a code or standard shall be interpreted as referring to the latest edition. RuB and logo are registered trademarks of RuB-Produktions GmbH. Other logos are property of respective owners.

s.35 NPT high pressure 1/8"-1/2" drawn brass ball valves



Features and Specifications:

- Patent n. 7011-B/89
- One piece drawn sand blasted brass body with extremely compact design
- Approved by UkrSepro (U)
- Finest brass according to EN 12164 specification
- Each valve is seal tested for maximum safety
- Pure PTFE self-lubricating seats with flexible-lip design
- Dual sealing system allows valve to be operated in either direction making installation easier
- Chrome plated brass ball for longer life
- No metal-to-metal moving parts
- No maintenance ever required
- Blowout-proof brass stem with FPM O-ring
- Reinforced nylon black wedge handle removable with valve in service
- Handle/stem clearly show ball position
- NPT taper ANSI B.1.20.1 Female by Female threads
- Silicone-free lubricant
- Up to 450 PSI non-shock cold working pressure
- Range: -4°F +200°F C temperature (+250°F screw driver version and metal wedge handle)



Options:

- Male by Female threads
- ISO 7/1 BSPT Taper threads
- ISO 228 parallel threads
- Dezincification Resistant brass CW602N
- Aluminum body
- Nylon wedge handle yellow, red or green
- Metal wedge handle available in colours red, black, yellow, green, light blue, chrome plated
- Grey wedge handle in Grivory® - high performing polymer
- Screw driver or wrench operated
- Additional connection options on demand.

Approved By:



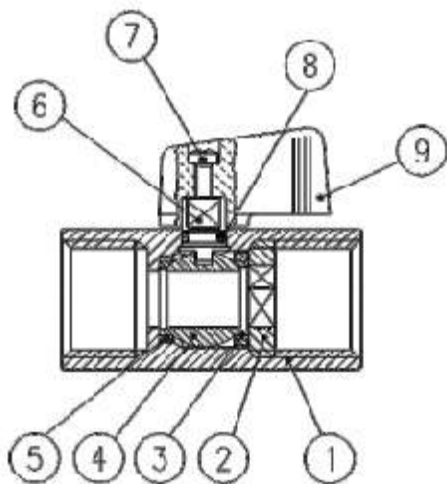
The product described in this document meets the requirements of PED Directive 97/23 and according to art.3 par.3, it does not require CE marking.



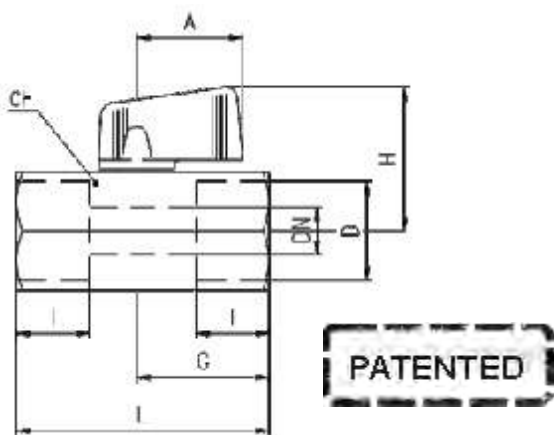
s.35 NPT high pressure 1/8"-1/2" drawn brass ball valves



Technical Specifications:



	PART DESCRIPTION	Q.ty	Material
1	Chrome plated body	1	CW617N
2	Retainer nut	1	CW617N
3	Retainer seat	1	Ptfe
4	Chrome plated ball	1	CW617N
5	Body seat	1	Ptfe
6	Unplated stem	1	CW617N
7	Zinc plated screw	1	CB4FF
8	O-Ring	1	FPM
9	Black handle	1	Nylon glass filled 30%

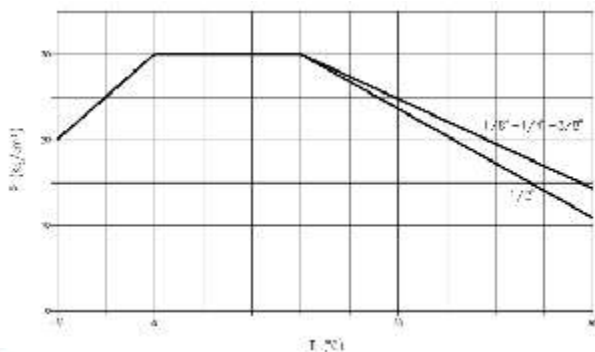


DN shows the nominal flow diameter.
For details on other configurations, ask our Service Center.

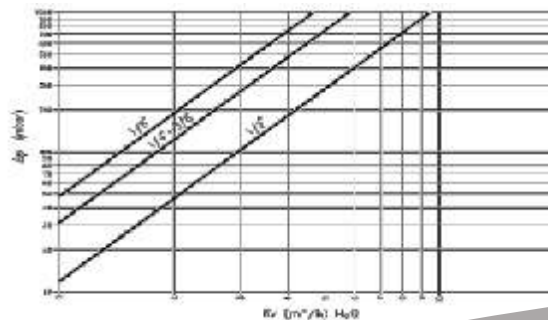
Code	S35AX0	S35BX0	S35CX0	S35DX0
D (inch)	1/8	1/4	3/8	1/2
DN(inch)	0.236	0.314	0.314	0.393
I (inch)	0.354	0.472	0.472	0.610
L (inch)	1.712	1.712	1.712	2.106
G (inch)	0.905	0.905	0.905	1.102
A (inch)	0.885	0.885	0.885	0.885
H (inch)	1.220	1.220	1.220	1.299
CH(inch)	0.826	0.826	0.826	0.984

Ask for additional information on the whole range of *RuB* valves and consult with your supplier for special applications.

Pressure - Temperature Chart



Pressure Drop Chart



The company reserves all rights for the information contained herein. Products may be changed at any time without notice. Any unlisted reference to a code or standard shall be interpreted as referring to the latest edition. RUB and logo are registered trademark of RUB-Industrieunternehmen Bremen. Other logos are property of respective owners.

s.34 NPT 1/8"-1/2" drawn brass ball valves



Features and Specifications:

- One piece drawn sand blasted brass body incorporating stem neck which provides excellent guidance of the stem
- Approved by: UkrSepro (U)
- Finest brass according to EN 12164 specification,
- 24h 100% seal test guaranteed,
- Pure PTFE self-lubricating seats with flexible-lip design,
- Dual sealing system allows valve to be operated in either direction making installation easier,
- Chrome plated brass ball for longer life,
- No metal-to-metal moving parts,
- Two FPM O-rings at the stem for maximum safety, No maintenance ever required,
- Reinforced nylon black lever or T-handle removable with valve in service,
- Lever and T-handle clearly show ball position,
- NPT taper ANSI B.1.20.1 Female by Female threads,
- Silicone-free lubricant,
- Up to 200 PSI non-shock cold working pressure,
- Range: -4°F +200°F temperature.



Options:

- Male by Female threads
- ISO 228 parallel threads
- Yellow lever or T-handle
- Screw driver or wrench operated

Upon request:

- Custom design

Approved By:



NOTE: Approvals apply to specific configurations only.

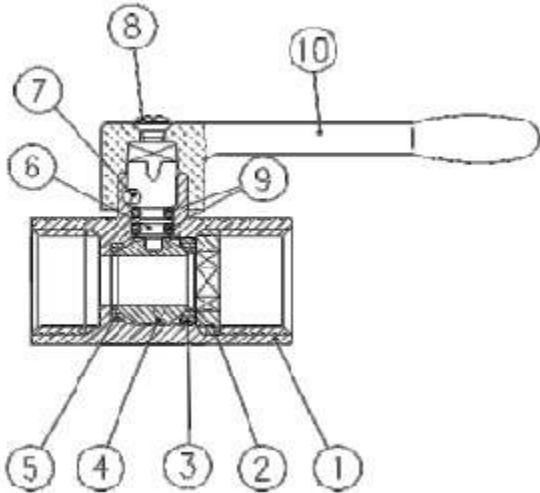
The product described in this document meets the requirements of PED Directive 97/23 and according to art.3 par.3, it does not require CE marking.



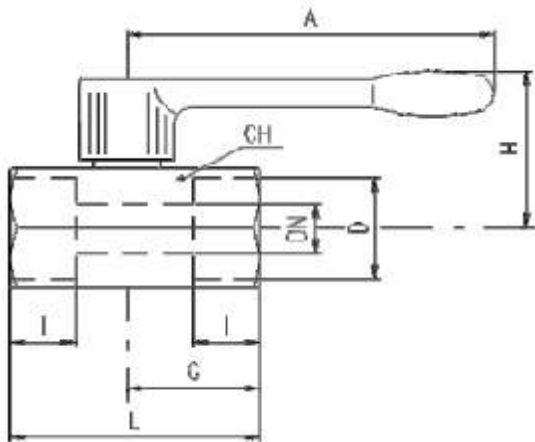
s.34 NPT 1/8"-1/2" drawn brass ball valves



Technical Specifications:



PART DESCRIPTION		Q.ty	Material
1	Chrome plated body	1	CW617N
2	Retainer nut	1	CW617N
3	Retainer seat	1	Ptfe
4	Chrome plated ball	1	CW617N
5	Body seat	1	Ptfe
6	Unplated stem	1	CW617N
7	Pin	1	AISI304
8	Chrome plated screw	1	CW617N
9	O-Ring	2	FPM
10	Black handle	1	Nylon glass filled 30%

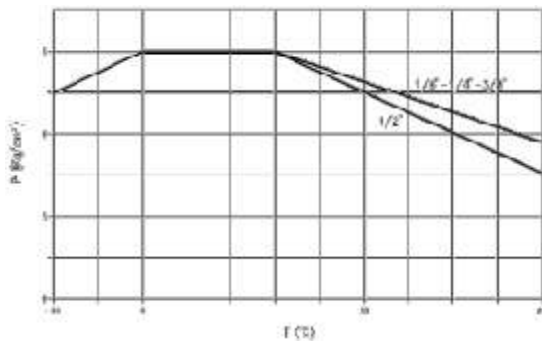


Code	S34AX0	S34BX0	S34CX0	S34DX0
D (inch)	1/8	1/4	3/8	1/2
DN(inch)	0.238	0.314	0.314	0.393
I (inch)	0.354	0.472	0.472	0.610
L (inch)	1.712	1.712	1.712	2.106
G (inch)	0.905	0.905	0.905	1.102
A (inch)	2.834	2.834	2.834	2.834
H (inch)	1.200	1.200	1.200	1.279
CH(inch)	0.826	0.826	0.826	0.984

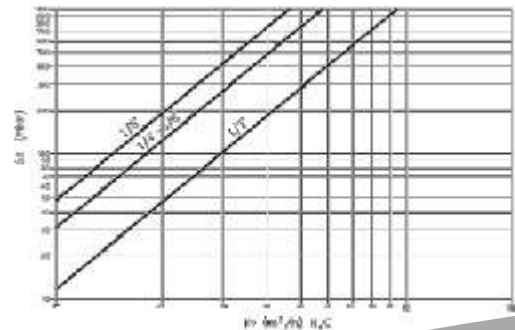
DN shows the nominal flow diameter.
For details on other configurations, ask our Service Center.

Ask for additional information on the whole range of RuB valves and consult with your supplier for special applications.

Pressure - Temperature Chart



Pressure Drop Chart



Panel Mount Kit for s.35 RuB mini valves



RuB has developed this kit that allows the installation of the s.35 valves on control panels in an easy way. Only 5 simple holes are necessary to fix the valve, in this way there is no waste of time for the panel cutting.

This solution improves also the esthetic feature because it gives the opportunity to leave the valve and the tubes behind the panel while the control handle is easily accessible in the front of the panel.
A customizable label affixed on the panel clearly shows the ball position.



Assembly of valves on panels becomes extremely rapid because all one has to do is to drill a central hole to allow insertion of the operating stem extension and drill 4 smaller holes in correspondence of the crosses on the label to assemble the valve brackets which hold the valve on the back of the panel.

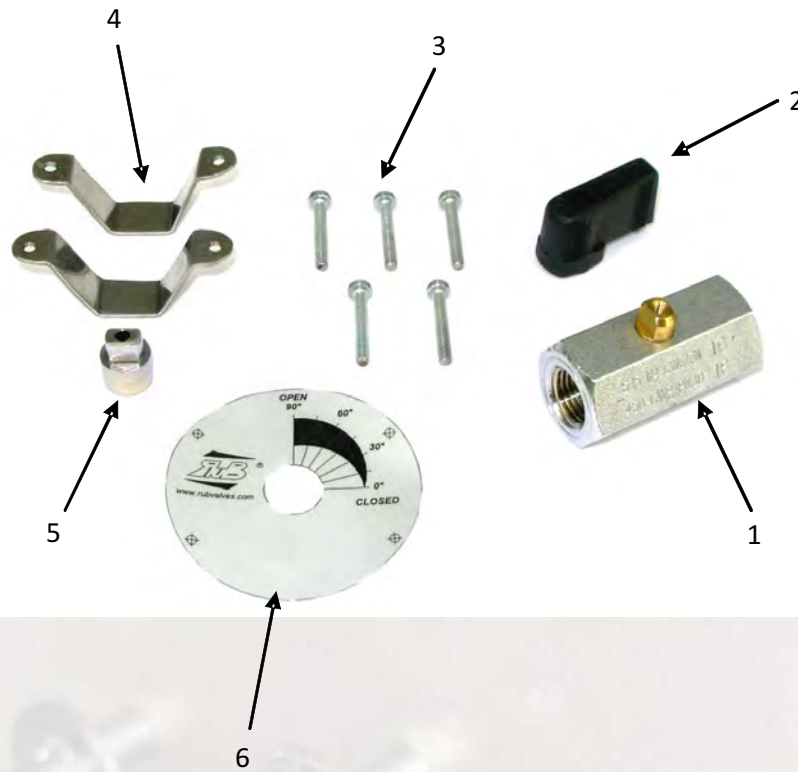
The control handle mounting screw and the bracket fixing screws are the same. All one needs is hand drill with $\varnothing 12$ and a $\varnothing 4$ mm bits and a common star screwdriver



Panel Mount Kit for s.35 RuB mini valves



Kit Sections:

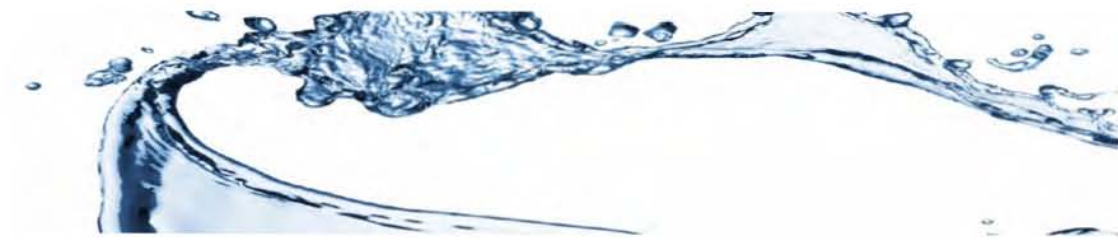


PART DESCRIPTION		Q.TY
1	Ball valve S.35 mini – not included	1
2	Black handle – not included	1
3	Screws	5
4	Fixing brackets	2
5	Stem extension	1
6	Labels (one vertical, one horizontal)	2



OPTIONS





Lockable Handle for most RuB ball valves in sizes 1/4"÷4"



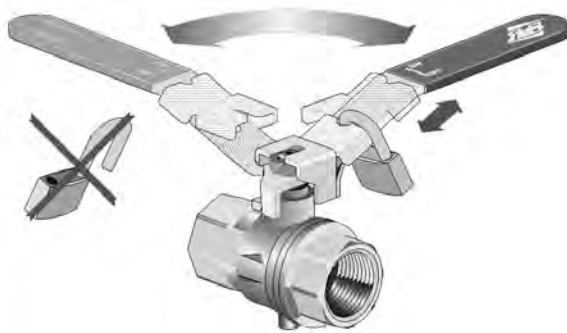
The RuB lockable handle is made of strong Geomet® carbon steel and designed to discourage tampering.

The RuB locking device covers the top nut of the valve making removal impossible without a key.

Easy to install on valves in the field, the RuB lockable handle will lock s.93 RuB valve the closed position only in compliance with OSHA (USA) safety requirements, while other RuB valves can be locked in both the open and closed positions



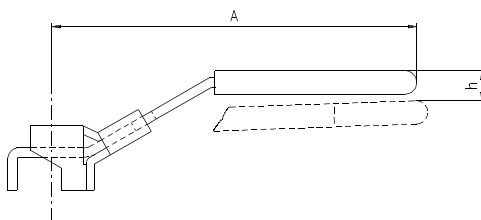
in sizes 1/4" - 4"



Lockable only in closed position when assembled on s.93 1/4"- 1" RuB range



Lockable in both open and closed positions when assembled on any other 1/4"- 4" RuB range



Code	PBFA13	PFBA16	PFBA19	PFBA20
A (mm)	96	117	156.5	255
h (mm)	8.5	9.5	4	0
FULL PORT(inch)	1/4-3/8-1/2	3/4-1	1 1/4 - 1 1/2 - 2	2 1/2 - 3 - 4
REDUCED PORT(inch)	1/2-3/4	1-1 1/4	1 1/2-2 1/2	3 - 4

Code	PBFA13	PFBA16	PFBA19	PFBA20
A (inch)	3.779	4.606	6.16	10.039
h (inch)	0.334	0.374	0.157	0
FULL PORT(inch)	1/4-3/8-1/2	3/4-1	1 1/4 - 1 1/2 - 2	2 1/2 - 3 - 4
REDUCED PORT(inch)	1/2-3/4	1-1 1/4	1 1/2-2	3 - 4

Dimension A shows handle length from center of stem; dimension h shows height of handle compared to standard handle assembled on valves. Two bottom lines show size of valve to fit with each size of lockable handle. Use 9/32" size shackle padlock up to 2", and 5/16" over.



Oval lockable handle To RuB forged valves*



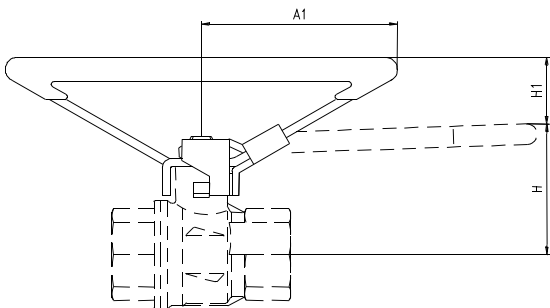
The RuB oval / round lockable handle is for service where there isn't enough space for levers or T-handles, or where lever handles might be moved unintentionally.

It is made of steady carbon steel and it features the patented RuB lockable device.

The RuB oval lockable handle is available for all sizes of forged RuB valves up to 2" and in round shape for sizes 2.1/2" thru 4"; it is easy to install on valves in the field or you can simply order your RuB valves with this option.



*please apply to our office for details



Size	1/4 - 3/8	1/2	3/4 - 1	1 1/4 - 1 1/2 - 2	2 1/2 - 3 - 4
A1 (mm)	58	58	70	70	155
H1 (mm)	20	19.5	22	15	3.2

Size	1/4 - 3/8	1/2	3/4 - 1	1 1/4 - 1 1/2 - 2	2 1/2 - 3 - 4
A1 (inch)	2.283	2.283	2.756	2.756	6.102
H1 (inch)	0.787	0.768	0.866	0.590	0.126

Size	1/4 to 2	2 1/2 to 4
Locker shackle	9/32"	5/16"

Dimension A1 shows handle dimension from centre of stem.
Dimension H1 shows height of handle compared to standard handle assembled on valves.

Ask for additional information on the whole range of RuB valves and consult with your supplier for special applications.

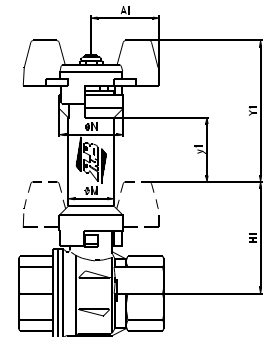
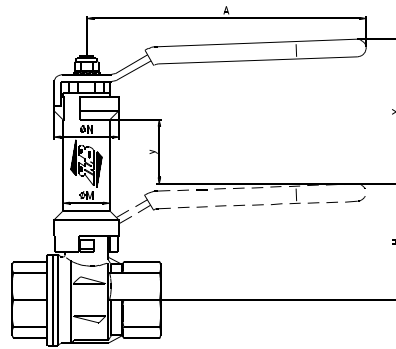


Stem Extension for most RuB ball valves in sizes 1/4" - 2"

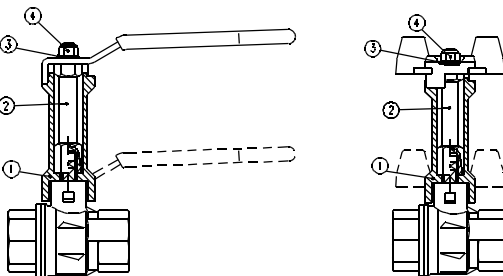


Today's world is conscious of the energy savings required to maintain resources for the future. To avoid heat loss from insulated pipes RuB offers stem extensions which provide easy actuation with minimum disturbance of the insulated

RuB stem extensions are made of strong hot forged brass and are designed for low heat losses from the pipe to the ambient environment. They are easy to install on RuB valves even while valves are in service.



Dimensions Y, y, Y1 and y1 are additional to dimension H on the relevant valve drawing



Valve size full port	1/4-3/8	1/2	3/4-1	1 1/4 - 1 1/2 - 2
Valve size reduced port		1/2-3/4	1-1 1/4	1 1/2 - 2
M (mm)	17	17	20	28
N (mm)	25	25	28	36
A (mm)	82	100	120	158
Y (mm)	56.5	56.5	62.5	67.5
y (mm)	26.5	26.5	27.5	20.5
A1 (mm)	25	25	30	
Y1 (mm)	56.5	56.5	62.5	
y1 (mm)	25.5	26	30.5	

Valve size full port	1/4-3/8	1/2	3/4-1	1 1/4 - 1 1/2 - 2
Valve size reduced port		1/2-3/4	1-1 1/4	1 1/2 - 2
M (inch)	0.669	0.669	0.787	1.023
N (inch)	0.984	0.984	1.102	1.417
A (inch)	3.228	3.937	4.724	6.220
Y (inch)	2.224	2.224	2.460	2.657
y (inch)	1.043	1.043	1.082	0.807
A1 (inch)	0.984	0.984	1.181	
Y1 (inch)	2.224	2.224	2.460	
y1 (inch)	1.003	1.023	1.200	

	PART DESCRIPTION	QTY.	Material
1	Body	1	CW617N
2	Connection	1	CW617N
3	Tab washer	1	Steel
4	Self-Locking nut	1	Steel

Ask for additional information on the whole range of RuB valves and consult with your supplier for special applications.





RUBINETTERIE UTENSILERIE BONOMI

Via Padana Superiore 27/29 25080 Ciliverghe di Mazzano (Bs) Italy
Ph: +39 030 212441 - Fax: +39 030 2629498
sales@rubvalves.com - www.rubvalves.com



RuB, Inc.

5371 12th Avenue East Shakopee, MN 55379-1896
Phone: +1 (952) 857 1114 - Fax: +1 (952) 857 1118
info@rubinc.com - www.rubinc.com



RuB, k.k.

NK Uchi-Kanda Building, 3rd Floor 1-14-5 Uchi-Kanda, Chiyoda-ku
101-0047 Tokyo Japan
Phone: +81 (80) 68003030 - Fax: +81 (3) 5966 9982
info@rubkk.jp - www.rubkk.jp



WARNING:

The company reserves all rights for the information contained herein. Products may be changed at any time without notice. Any undated reference to a code or standard shall be interpreted as referring to the latest edition.

RuB and logo are registered trademark of RuB-Rubinetteria utensilerie Bonomi. Others logos are property of respective owners.

You can download the latest version of this products Catalogue by our website



MEETING STANDARDS IS OUR STANDARD

