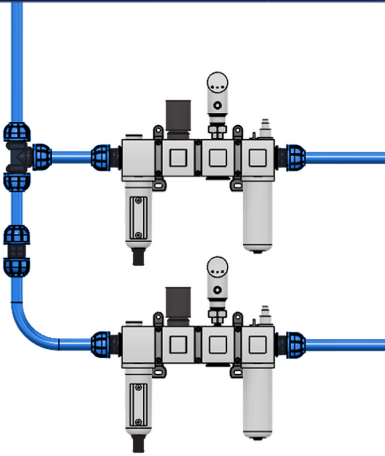


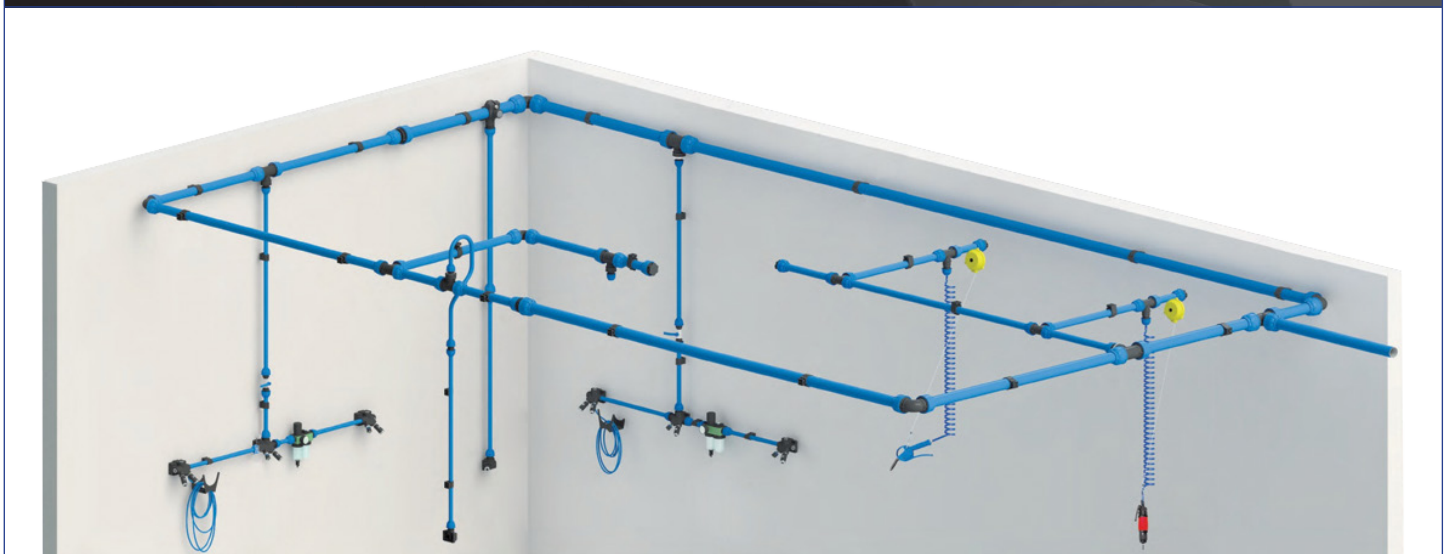
FEATURED PRODUCTS

					
25-PIPE-BLU Aluminum Pipe 25MM OD Straight	25-DROP-BLU Aluminum Pipe 25MM OD Drop Bend	25-ELB-BLU Aluminum Pipe 25MM OD 90° Bend	25-UPIPE-BLU Aluminum Pipe 25MM OD 180° Bend	25-SPIPE-BLU Aluminum Pipe 25MM OD "S" Bend	25-ZPIPE-BLU Aluminum Pipe 25MM OD "Z" Bend
					
25-U-25 Equal Union Fitting 25MM OD	25-U-20 Unequal Union Fitting 25MM OD X 20MM OD	25-ELB-25 90° Elbow Fitting 25MM OD X 25MM OD	25-45ELB-25 45° Elbow Fitting 25MM OD X 25MM OD	25-TEE-25 Equal Tee Fitting 25MM OD	25-TEE-20 Reducing Tee Fitting (2) 25MM OD x (1) 20MM OD
					
40-DRYTEE-25 Dry Air Reducing Tee Fitting (2) 40MM OD x (1) 25MM OD	25-CAP End Cap Fitting 25MM OD	25-STR-1BSPT Straight Male Fitting 25MM OD x 1 IN. Male BSPT	25-STR-1NPT Straight Male Fitting 25MM OD x 1 IN. Male NPT	25-FEMSTR-1BSPP Straight Female Fitting - 25MM OD x 1 IN. Female BSPP	25-FEMSTR-1NPT Straight Female Fitting - 25MM OD x 1 IN. Female NPT
					
25-3/4USWIV-25 Equal Union Swivel Joint Fitting 25MM OD - 3/4 Swivel	25-3/4BLV-25 Straight Connection W/ Ball Valve 25MM OD x 25MM OD	25-VENTCAP End Cap W/ Manual Vent Valve 25MM OD	25-DRAINCAP End Cap W/ Ball Valve - 25MM OD 1/4 Fem BSPP	25-COUP Coupling Ring Fitting 25MM OD	25-Grip Gripping Ring Fitting 25MM OD
					
653-08FRL FRL Assembly P-Filt, Reg, Lubricator 1" NPT W/ Mounts	25-WMPC Wall Mount Pipe Clips For 25MM OD Pipe	MPT-PC-15-40 Pipe Cutter For 20-40MM OD Pipe	MPT-DEBUR-15-40 Outer Chamfering Tool For 20-40MM OD Pipe	MPT-DEBUR-HT Inner De-burring Tool All Pipe Sizes	25-CRW Pipe Fitting Body Wrench W/ Depth Gauge For 25MM OD Pipe

FEATURES





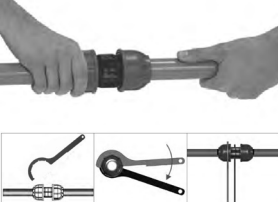
	The System	Specifications	Certifications
	<ul style="list-style-type: none"> • Easy & Rapid Installation • Reduced Pressure Drop • Corrosion Resistance • Reusable • Fire-Resistant • UV-Resistant • Good Shock Resistance • No Welding 	<ul style="list-style-type: none"> • Fluid Medium: Compressed Air / Vacuum • Max. Operating pressure: 180 PSI (12.5 BAR) • Max. Vacuum: -17.76in. Hg (-0.6 BAR) • Operating temp. Range: -4 ~ 158°F (-20 ~70°C) • Pipe Treatment: Fluotitanation • Pipe Finish: Powder coat • Pipe Max Length: 4 Meter • Fitting Body: Black Nylon • Fitting Coupling: Blue Nylon • Fitting Ring: Aisi 301 Stainless Steel • Fitting Sealing Ring: NBR O-Ring 	<ul style="list-style-type: none"> • ASME B31.3 • CRN • Qualicoat • ISO 9001:2008 • TÜV

COST EFFECTIVE



Our Modular Pipe Systems do not only save you time; They are also a fraction of the cost of similar systems, Saving you Money as Well.

CUTTING & ASSEMBLY

				
<p>Measure & Cut Measure, mark & cut pipe to needed length</p>	<p>Chamfer & Debur Chamfer outside edge & debur inside edge of pipe</p>	<p>Measure Measure & mark correct length to insert into fitting</p>	<p>Lubricate Using neutral grease or Vaseline lubricate fitting seal(s) and end of pipe</p>	<p>Assemble & Tighten When pipe is properly inserted, tighten fitting nut(s) - First by hand then with wrench</p>