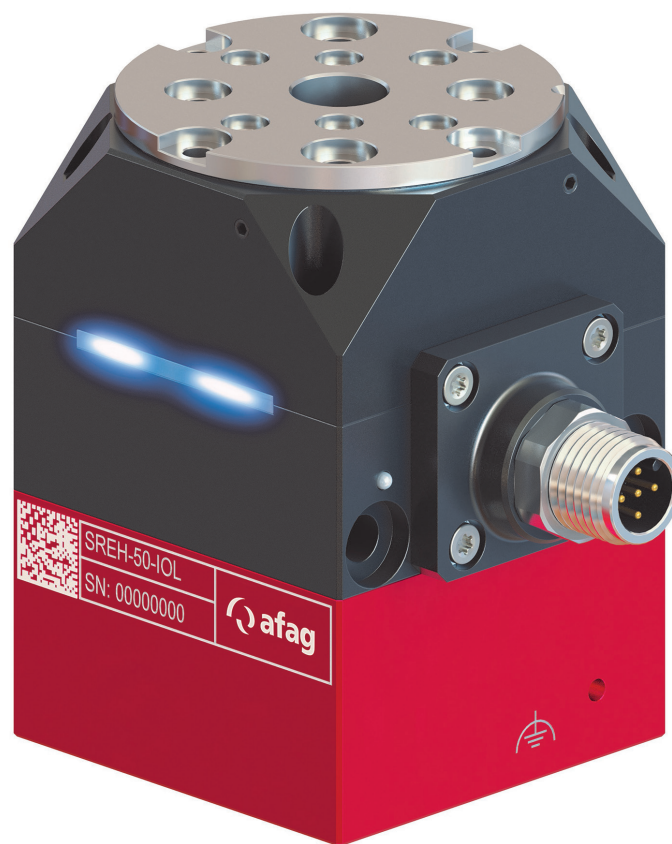


Smart rotary module SREH

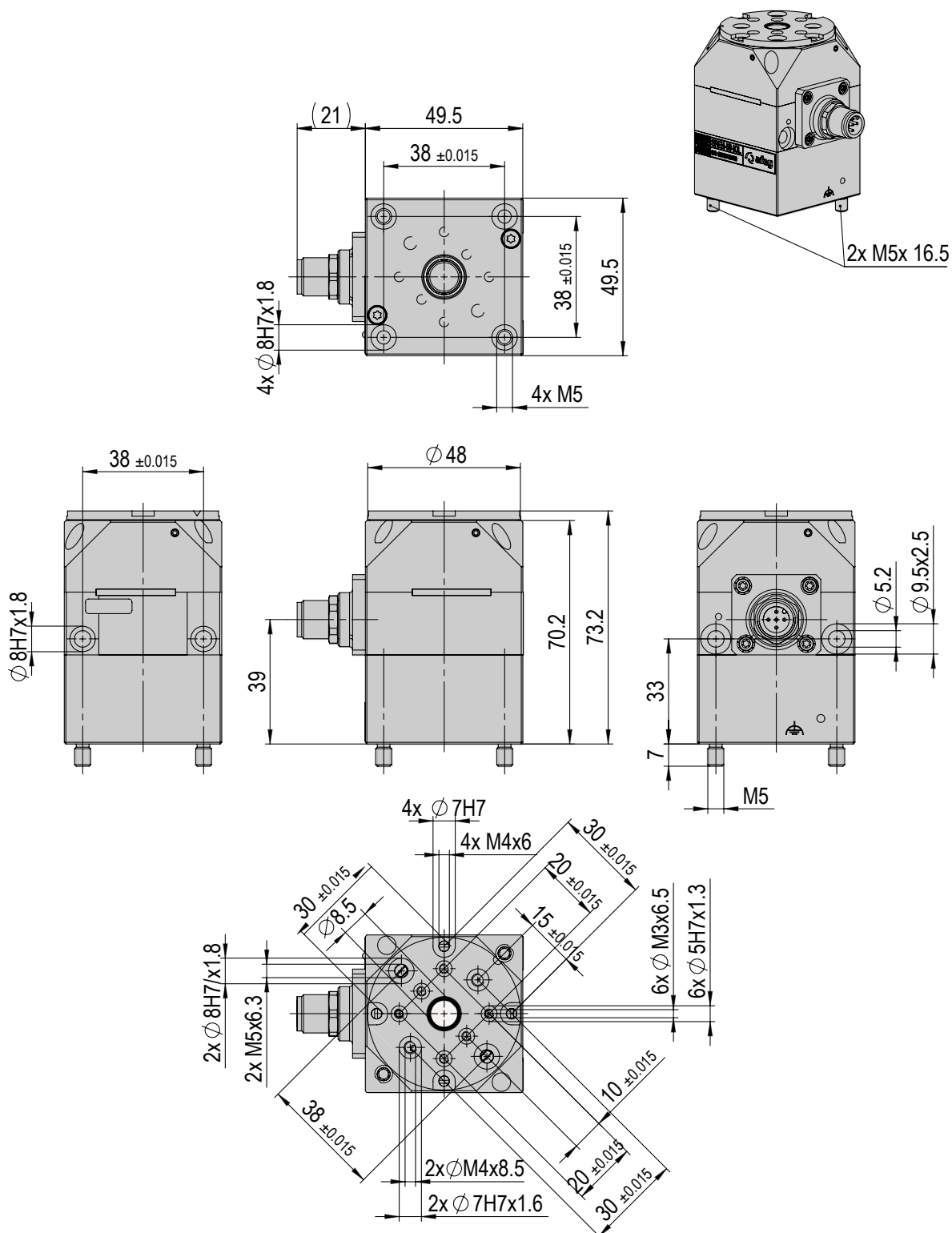
SREH-50-IOL

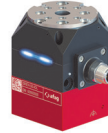


- Extremely compact due to integrated controller
- Dynamic, electric rotary axis with single-cable technology and IO-Link communication interface
- Freely programmable with absolute encoder and hollow shaft

Table of contents SREH

Smart rotary module SREH	Page
SREH-50-IOL	222





SREH-50-IOL	
Attachment grid (rear)	38 x 38 mm
Attachment grid (flange)	20 x 20, 30 x 30 and 38 mm
Attachment grid (lateral)	38 mm
Fastening screw thread	M3 / M4 / M5 mm
Operating temperature	10 - 35 °C
Ambient temperature	0 - 50 °C
Storage temperature	5 - 50 °C
Humidity	< 90 %
Type	
Order number	50503985
Net weight	0.6 kg
Maximum axial payload**	1350 N
Maximum radial payload**	790 N
Idling speed (continuous - maximum)	640 min ⁻¹ / 716 min ⁻¹
Torque (continuous - maximum)	0.45 Nm / 0.90 Nm
Rotation angle	∞
Nominal speed	***480 min ⁻¹
Rated torque	***0.17 Nm
Max. mass moment of inertia	15 x 10 ⁻⁴ kgm ²
Max. dynamic tilting moment	9 Nm
Hollow shaft	Ø 8.5 mm
Repeatability	*± 0,015°
Radial concentricity	0.009 mm
Axial concentricity	0.023 mm
Supply voltage	24 VDC
Rated current	3 A
Max. current input	5 A
Communication interface	IO Link, Portkl. B, COM 3
Currentless multiturn	fourfold
Status display	LED-Ring
Noise level	< 65 dB(A)
Protection class	IP 50
Clean room class	ISO 14644-1 Class 6
Product conformity	RoHS-Directive 2011/65/EU and REACH Regulation (EG) 1907/2006
Mounting position	

The technical data refer to Afag standard test conditions.

* Achieved with centric load after appropriate settling time.

** The above maximum values depend on the application and must not be combined. In case of doubt, contact your Afag partner.

*** Nominal values apply at nominal voltage, at 22°C ambient temperature and without reduction of thermal resistance

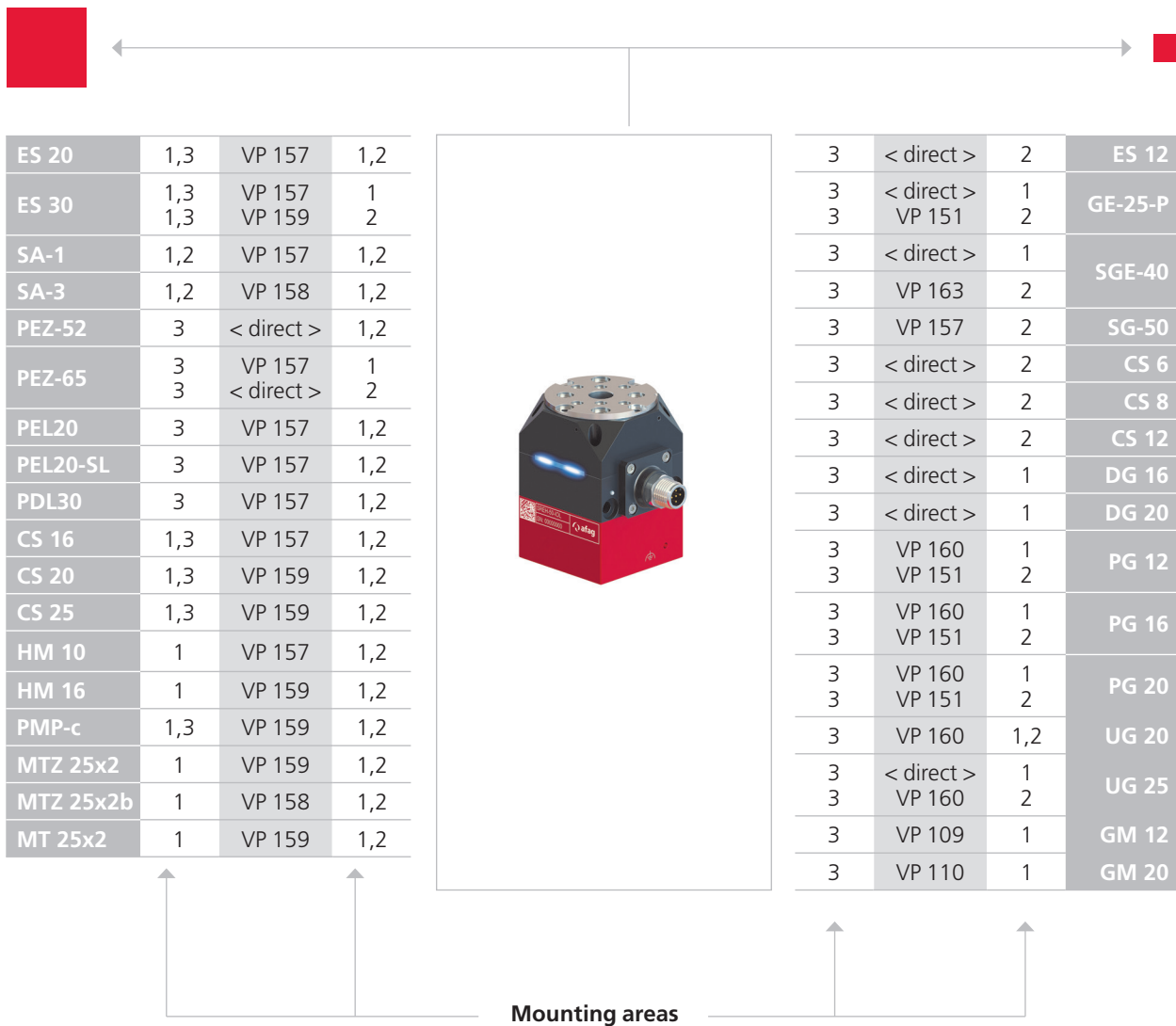
Included in the delivery (Catalogue HT accessories)

- 2x Mounting screw M5x55
- 2x Centering sleeve Ø8x3.5
- 2x Countersunk screw M4x5
- 2x Rotation limitation SREH-50
- 2 x Set screw M5x16

Accessories (Catalogue HT accessories)

- Sensor actuator cable

Warranty: 24 months following commissioning, but a maximum of 27 months following delivery

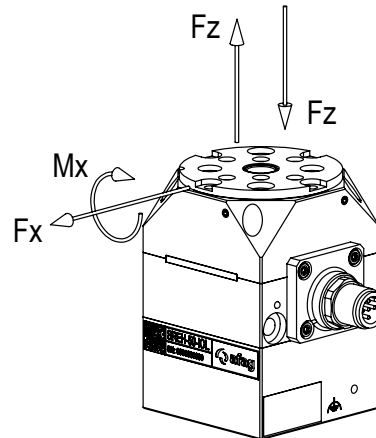


CS, ES	LM	HM	SA	UG, GM, SG, DG, PG, GE, SGE
PMP, PMP-c	PEZ, PDZ	PEL, PDL	RM, RE	CR, RM 32, RE, SREH, RA

Note that there might be different mounting positions from one module to another one.

The required connection elements and the range of support columns are depicted in the catalogue HT accessories.

Type	SREH-50-IOL
Max. axial traction force (Fz dynamic)	1350 N
Max. axial press-in force (Fz dynamic)	1350 N
Max. radial force (Fx dynamic)	790 N
Max. tilting moment (Mx dynamic)	9 Nm



9

Positioning time

18

