

Vacuum Filter

GVF Series



Symbol



Product feature

1. Unique diversion structure spins the air flowing through to effectively separate the liquid from the air and reliably filter the solid grain.
2. It has low pressure loss, high efficiency in separating water and large drain bowl capacity.
3. Filtering grade includes 5 μ m and 40 μ m (Optional).
4. Three material of bowl are available: PC, Nylon and metal.
5. The bracket can be selected for installation.

Specification

Model	GVF200-06	GVF200-08	GVF300-08	GVF300-10	GVF300-15
Fluid	Air				
Port size [Note1]	1/8"	1/4"	1/4"	3/8"	1/2"
Filtering grade	40 μ m or 5 μ m				
Pressure range	-100~0KPa				
Proof pressure	0,5MPa				
Temperature range	-5~70°C(Unfreeze)				
Capacity of drain bowl	25CC		45CC		
Material of bowl	PC bowl、Nylon bowl、Metal bowl				
Weight(Plastic bowl/Metal bowl)	220g/225g	210g/215g	370g/380g	360g/375g	350g/360g
Flow capacity [Note2] (L/min ANR)	5 μ m	80	100	150	200
	40 μ m	100	160	200	280

[Note1] PT thread, G thread and NPT thread are available. [Note2] The flow capacity at the inlet pressure loss of 4 Kpa.

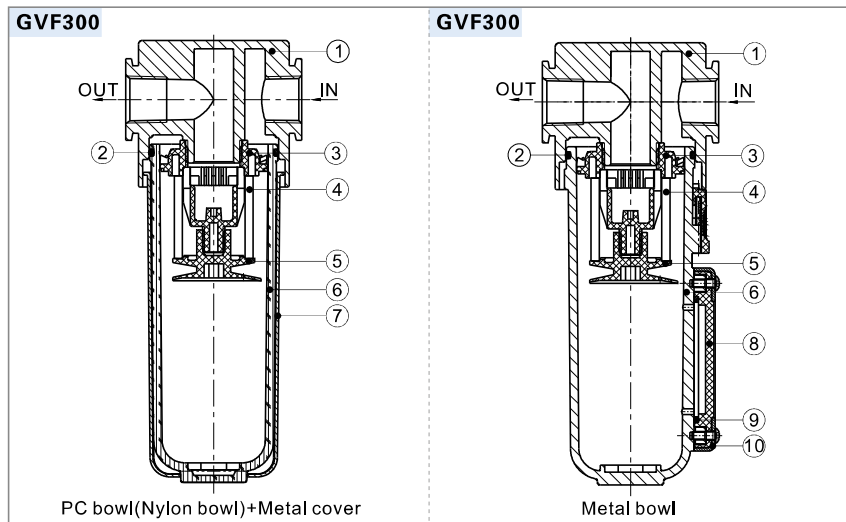
Ordering code

GVF 300 10 W G



① Model	② Bowl material	③ Port size	④ Accessories	⑤ Filtering grade	⑥ Thread type
GVF200: GVF200 Series Vacuum Filter	Blank: PC bowl C: Metal bowl N: Nylon bowl	06: 1/8" 08: 1/4" 08: 1/4" 10: 3/8" 15: 1/2"	Blank: Bracket J: No bracket	Blank: 40 μ m W: 5 μ m	G: G Thread
GVF300: GVF300 Series Vacuum Filter					

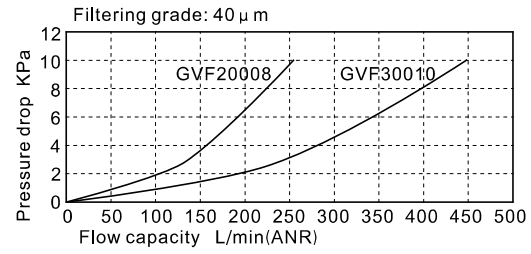
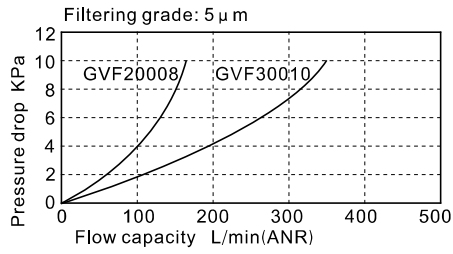
Inner structure



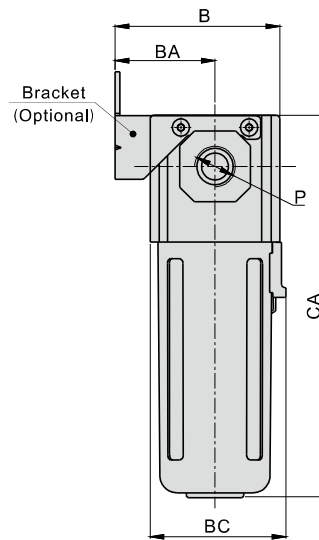
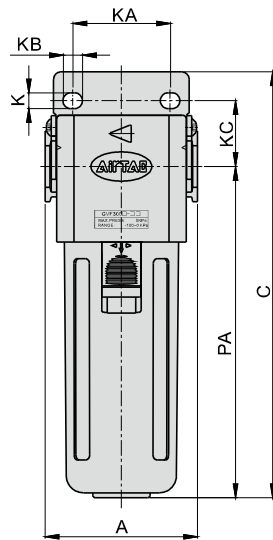
No.	Item	Material
1	Body	Aluminum alloy
2	O-ring	NBR
3	Air guide	High viscosity POM
4	Filter core	HDPE
5	Umbrella baffle	High viscosity POM
6	Drain bowl	Aluminum alloy\PC\Nylon
7	Meter cover	SPCC
8	Liquid meter inside cover	PC
9	Liquid meter seal	NBR
10	Liquid meter cover	SPCC

GVF Series

Flow chart

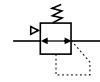


Dimensions



Model\Item	A	B	BA	C	CA	K	KA	KB	KC	P	PA
GVF200-06	52.5	54.5	33	136.5	123.5	5.4	27	8.4	23	1/8"	106.5
GVF200-08	52.5	54.5	33	136.5	123.5	5.4	27	8.4	23	1/4"	106.5
GVF300-08	62.5	67.5	41	174.5	156.5	6.5	40	8	27	1/4"	135.5
GVF300-10	62.5	67.5	41	174.5	156.5	6.5	40	8	27	3/8"	135.5
GVF300-15	62.5	67.5	41	174.5	156.5	6.5	40	8	27	1/2"	135.5

GVR Series



Ordering code

GVR 300 10 □ □ **T**

① ② ③ ④ ⑤ ⑥

① Model	② Series code	③ Port size	④ Accessories	⑤ Pressure gauge	⑥ Thread type
GVR: GVR series vacuum regulator	200: 200 series	06: 1/8" 08: 1/4"	Blank: Bracket J: No bracket	Blank: Pressure gauge N: No pressure gauge	T: NPT (kPa / psi)
	300: 300 series	08: 1/4" 10: 3/8"			

Specification

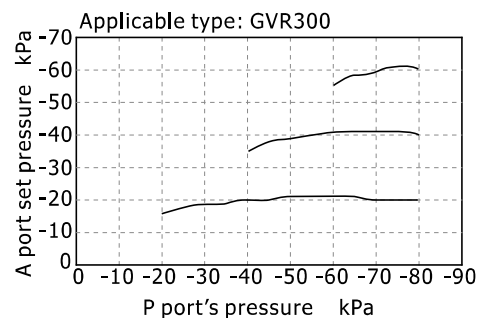
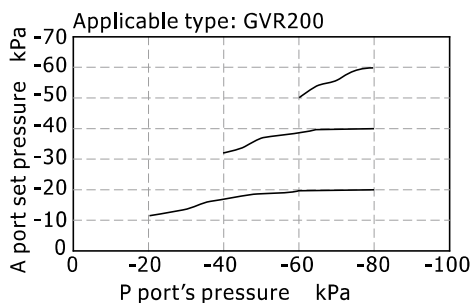
Model	GVR20006	GVR20008	GVR30008	GVR30010
Fluid	Air			
Port size [Note1]	1/8"	1/4"	1/4"	3/8"
Pressure range	-100~-1.3kPa			
Max. pressure	-1.0kPa			
Air inhalation consumption	0.6 L/min(ANR) and below			
Temperature range	-20~70°C			
Weight g	204	198	342	336

[Note1] NPT thread is available.

Product feature

1. The pressed-in self-locking mechanism can prevent the abnormal movement of the set pressure caused by external interfere.
2. The pressure regulation is stable, the drift is small and the pressure characteristic is good.
3. In addition to panel installation, the bracket is optional for installation.

Pressure chart

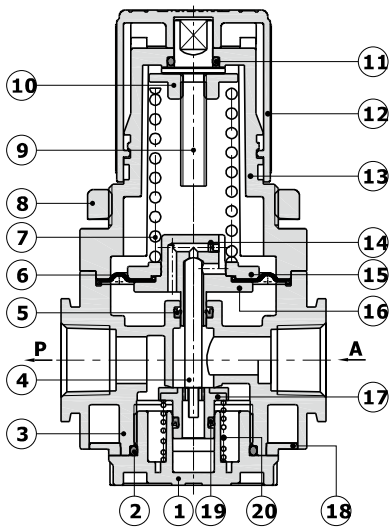


GVR Series

Installation and Application

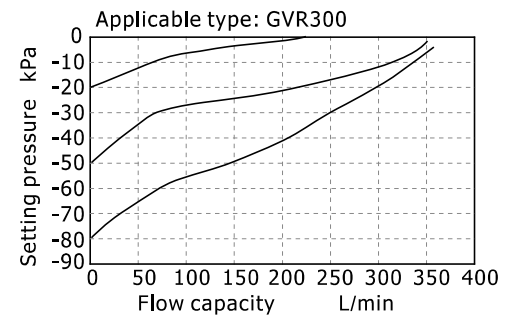
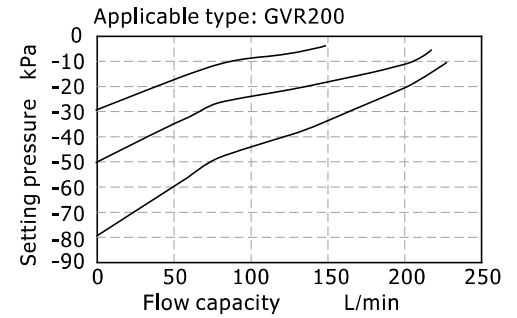
1. Please be used with safety circuit to avoid accidents when power failure, vacuum pump and vacuum regulator fail.
2. When checking, please set the pressure to 0 (atmospheric pressure) and completely cut off the pressure of the vacuum pump before pulling down the tube of the regulator.
3. The vacuum regulator can not be used to regulate the pressure of the vacuum pump, if the flow capacity of the vacuum generator is less than the flow capacity of the vacuum regulator, it is not suitable as a vacuum source.
4. The regulating knob rotates clockwise, the atmospheric pressure changes to the vacuum pressure, turns counterclockwise, the vacuum pressure changes to atmospheric pressure.
5. After setting the pressure, press the button on the pressure adjusting button until you hear the click.
6. The vacuum regulator is used for negative pressure, and no positive pressure should be applied.

Inner structure

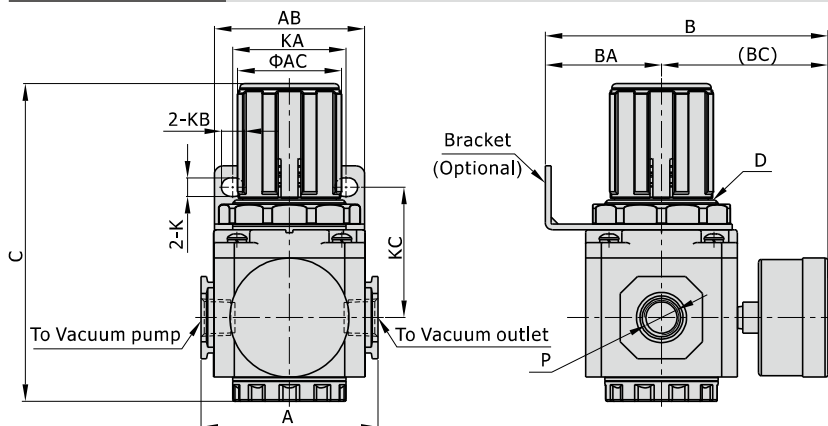


No.	Item
1	Valve cap
2	O-ring
3	Body
4	Spool
5	O-ring
6	Diaphragm
7	Spring
8	Fixed ring
9	Adjusting spindle
10	Regulator nut
11	O-ring
12	Pressure knob
13	Adjusting seat
14	Gas resistance
15	Diaphragm up core
16	Diaphragm down core
17	Pressure plug
18	Bottom cover
19	O-ring
20	Spring

Flow chart



Dimensions



[Unit: mm]

Model\Item	A	AB	AC	B	BA	BC	C
GVR20006	52.5	55	31	83	30	53	89
GVR20008	52.5	55	31	83	30	53	89
GVR30008	62.5	53	38	99.5	41	58.5	112
GVR30010	62.5	53	38	99.5	41	58.5	112

Model\Item	D	K	KA	KB	KC	P
GVR20006	M33X1.5	5.4	34	15.4	43	1/8"
GVR20008	M33X1.5	5.4	34	15.4	43	1/4"
GVR30008	M40X1.5	6.5	40	8	46	1/4"
GVR30010	M40X1.5	6.5	40	8	46	3/8"