

FDA Approved Materials  
& Components

Fast, Simple to Use  
Online Configurator

Rapid Deliveries

BISSC  
Certified Conveyors



*Aqua***Gard**<sup>®</sup>

## LP & 7350 SERIES CONVEYORS

Stainless Steel Conveyors for Dry, Wipe Down  
and Wet Applications

**DORNER**<sup>®</sup>

### Dorner AquaGard Conveyors are Best for:

- Baking
- Packaged Foods
- Pet Foods
- Secondary Packaging
- Snack Foods
- Tight Transfers
- Confectionary
- Elevation Changes
- And More!

### LP Series Specifications

- Belted and Cleated Belt Models
- Loads up to 22.7 kg (50 lbs)
- Widths: 70 mm (2.75 in) to 457 mm (18 in)
- Lengths: 500 mm (19.1 in) to 8,485 mm (18 ft)
- Robust welded 304 Stainless Steel frame
- Available in straights only



### 7350 Series Specifications

- Belted, Cleated Belt, Modular Belt, Modular Cleated Belt Models and Positive Drive Options
- Loads up to 341 kg (750 lbs)
- Widths: 152 mm (6 in) to 914 mm (36 in)
- Lengths: 914 mm (3 ft) to 25,000 mm (82 ft)
- FDA approved belting and plastic components
- 304 stainless steel frame
- Available in straights, curves or Z-Frame configurations



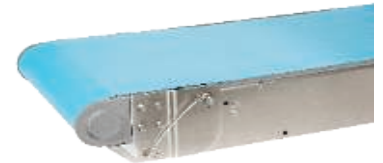
Straights



Curves  
(Modular Belt Only)



LPZ (Z-Frames), Nose Over  
& Horizontal to Incline



Positive Drive

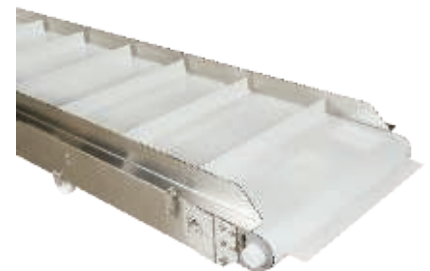
### Options



Nose Bar Transfers



Powered Transfers



Variety of Guiding Options

Other options available including Roller Transfers, Chutes, Drip Pans, Formed Angle Stands, Hoppers and more.

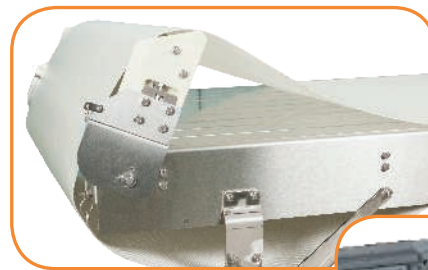
## Sleek, Low Profile Design - LP Series

- Quick, five-minute belt change for increased uptime
- Bolt slider mechanism for fast, single point belt tensioning
- V-Groove frame with V-Guided belt ensures accurate tracking
- Streamlined design fits where other conveyors do not
- Low profile, robust welded frame design, for easy cleaning
- Small 31.75 mm (1-1/4 in) diameter end rollers for transfer of small products



## Rugged and Durable Design - 7350 Series

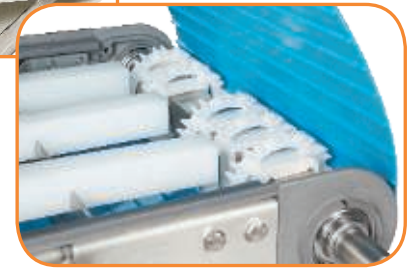
- 304 Stainless Steel frame features open design with minimal horizontal surfaces
- Designed for wipe down and low pressure wash-down with non-caustic chemicals
- V-guided belt tracking on belted models
- Tip-up tails for access inside the conveyor for cleaning and maintenance
- Safest chain in the industry with chain openings less than 4 mm even on curves
- Unique chain design virtually eliminates friction providing capacity for up to 4 curves on a single conveyor



Tip-Up Tails



Innovative Chain Design



Positive Drive Belt

## Engineered Solutions

- Dorner's Engineered Solutions Group can tailor fit AquaGard Conveyors for specific applications and product handling requirements
- With a custom-designed conveyor system in place and the help of highly specialized engineering, your products are processed faster, your services are delivered quicker, and your profits are increased
- Solutions include: chicaning, retracting tails, depositing and rejects, merging, product flow, and more!



## The Benefits of Dorner AquaGard Conveyors

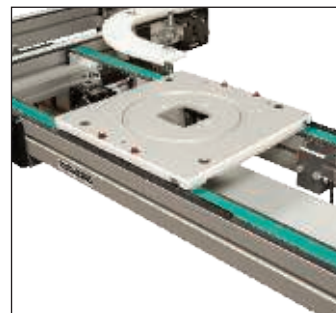
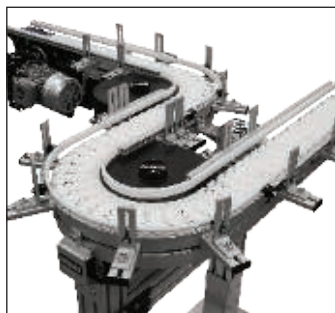
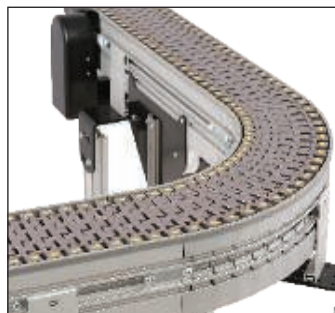
### Industry Ready

- Designed and manufactured to food equipment standards
- BISSC certified conveyors
- FDA approved materials and components
- Washdown rated gearmotors and controls

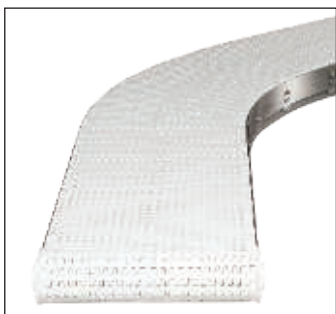
### A Focus on Speed

- Dorner sets the industry standard for rapid delivery
- Sanitary conveyors ship in as little as 10 business days
- Fast and effective design reduces cleaning preparation time

## Industrial & Automation Conveyors



## Sanitary Conveyors



## Engineered Solutions



Parts

Service

Online Configurator

Warranty

## Transforming Conveyor Automation

### Dorner – North & South America

#### Dorner – U.S.A. Headquarters

975 Cottonwood Ave  
Hartland, WI 53029, USA  
(800) 397-8664  
(262) 367-7600  
info@dorner.com

#### Dorner – Canada

100-5515 North Service Road  
Burlington, Ontario L7L 6G6  
Canada  
(289) 208-7306  
info@dorner.com

#### Dorner – Latin America

Carretera a Nogales #5297,  
Nave 11. Parque Industrial Nogales  
Zapopan, Jalisco C.P. 45222  
Mexico  
+52.33.30037400  
info.latinamerica@dorner.com

# DORNER®



### Dorner – Europe

#### Dorner – Germany

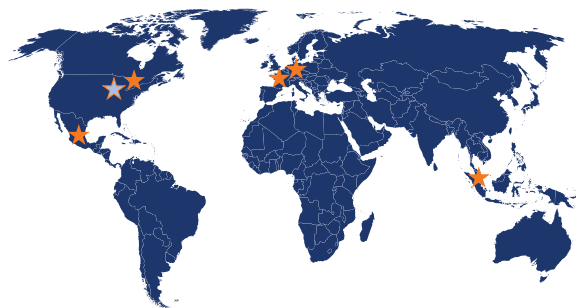
Karl-Heinz-Beckurts-Straße 7  
52428 Jülich,  
Germany  
+49 (0) 2461/93767-0  
info.europe@dorner.com

#### Dorner – France

8 rue des Frères Caudron  
78140 Velizy-Villacoublay  
France  
+33 (0)1 84 73 24 27  
info.france@dorner.com

### Dorner – Asia

128 Jalan Permatang Damar Laut, Bayan Lepas 11960  
Penang, Malaysia  
+604-626-2948 | info.asia@dorner.com



[dornerconveyors.com](http://dornerconveyors.com)