

FULL PORT - NON-LOCKING - LEVER HANDLE - LEAD FREE BALL VALVES

BVFF-__



PORT SIZE

| 1/4" NPT | 3/8" NPT | 1/2" NPT | 3/4" NPT | 1" NPT |
|----------|----------|----------|------------|------------|
| BVFF-4-4 | BVFF-6-6 | BVFF-8-8 | BVFF-12-12 | BVFF-16-16 |

ADDITIONAL INFORMATION

SPECIFICATIONS

MATERIAL

- Lead-Free Brass

MAX OPERATING PRESSURE

- 290 PSI (20 Bar)

OPERATING TEMP:

- 4° F – 248° F (-20° C - 120° C)

USES:

- Made for Air, Vacuum, Gas, Chemicals*, Water & Steam
- Contact us for chemical compatibility

APPLICATIONS & INDUSTRIES

APPLICATIONS:

- Fluid Power
- Plumbing*
- Heating & Cooling
- Air Tools & Air Compressors
- Sprinklers & Irrigation Equipment
- Slurry Lines
- Welding Equipment
- Air Brakes

INDUSTRIES SERVED:

- Industrial Automation
- Pipefitting
- HVAC*
- Agriculture
- Transportation

FULL PORT - NON-LOCKING - LEVER HANDLE - LEAD FREE DRAIN VALVE

BVFM-__

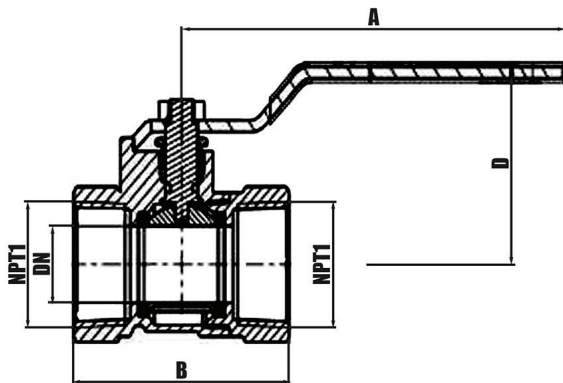


PORT SIZE

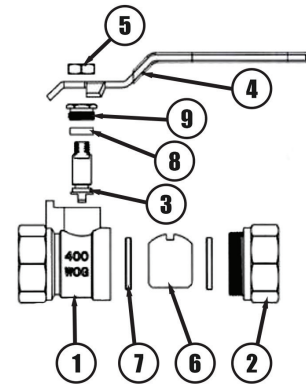
3/8" NPT

BVFF-6-6

DIMENSIONS (BALL VALVES)



COMPONENTS (BALL VALVES)



| SIZE | A | B | D | DN | PORT THREAD |
|------|--------------|-----------|----------|--------|-------------|
| 1/4" | 2.87" (73MM) | (35.6 MM) | (35MM) | (7MM) | 1/4" NPT |
| 3/8" | (80MM) | (40.1MM) | (36MM) | (9MM) | 3/8" NPT |
| 1/2" | (86.5MM) | (48.5MM) | (41.5MM) | (12MM) | 1/2" NPT |
| 3/4" | (86.5MM) | (52.5MM) | (43.5MM) | (15MM) | 3/4" NPT |
| 1" | (117MM) | (67MM) | (60.5MM) | (20MM) | 1" NPT |

| NO. | COMPONENT | QTY | MATERIAL |
|-----|-----------|-----|----------|
| 1 | BODY | 1 | BRASS |
| 2 | BONNET | 1 | BRASS |
| 3 | STEM | 1 | BRASS |
| 4 | HANDLE | 1 | SUS304 |
| 5 | SCREW | 1 | SUS304 |
| 6 | BALL | 1 | BRASS |
| 7 | STEATRING | 2 | PTFE |
| 8 | PADDING | 1 | PTFE |
| 9 | PRESS NUT | 1 | BRASS |

REFERENCE ONLY - WE DO NOT OFFER REPLACEMENT PARTS

Visit Our Website For More Information:

www.FLOFLEXinc.com