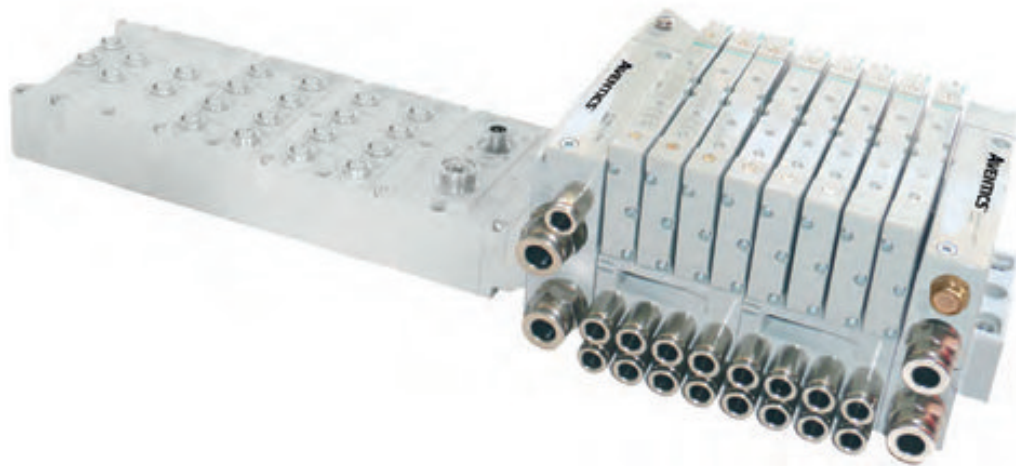


Series 503



AVENTICS™ Series 503



Series 503

- System overview



Technical information

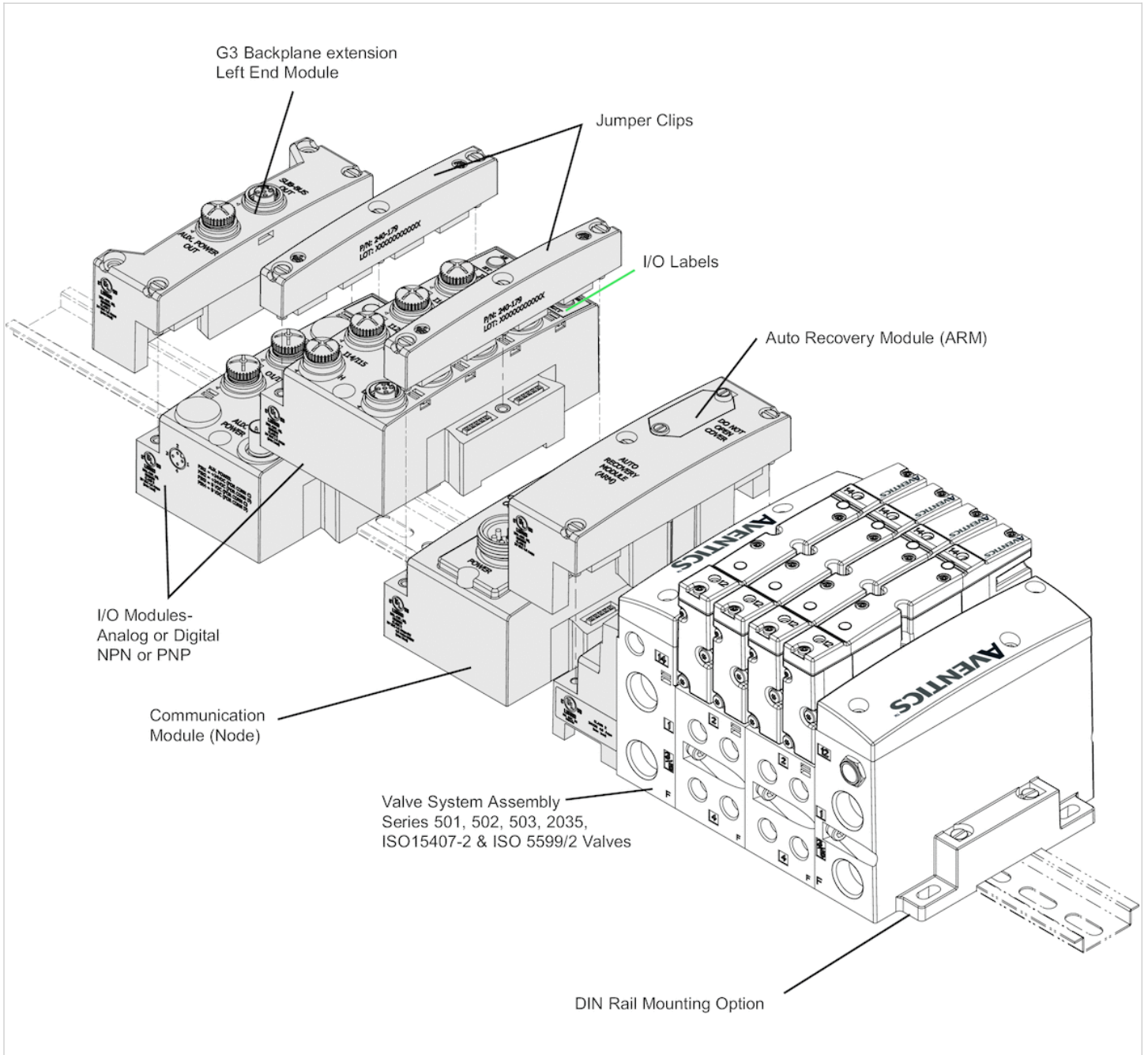
The min. control pressure must be adhered to, since otherwise faulty switching and valve failure may result!

The pressure dew point must be at least 15 °C under ambient and medium temperature and may not exceed 3 °C .

The oil content of compressed air must remain constant during the life cycle.

Use only the approved oils from AVENTICS. Further information can be found in the "Technical information" document (available in the MediaCentre).

Accessories overview




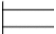






2x3/2-directional valve, Series 503

- 2x3/2
- Qn = 950-1000 l/min
- NC/NC NO/NO
- Plate connection
- Can be assembled into blocks
- double solenoid
- With spring/air spring return
- Pilot : External



| | |
|----------------------------------|---|
| Type | Spool valve, positive overlapping |
| Activation | Electrically |
| Pilot | External |
| Sealing principle | Soft sealing |
| Blocking principle | Single base plate principle, can be assembled into blocks |
| Working pressure min./max. | -0.95 ... 8 bar |
| Control pressure min./max. | 2 ... 8 bar |
| Ambient temperature min./max. | -10 ... 50 °C |
| Medium temperature min./max. | -10 ... 50 °C |
| Medium | Compressed air |
| Max. particle size | 50 µm |
| Oil content of compressed air | 0 ... 5 mg/m ³ |
| Nominal flow Qn | See table below |
| Pilot control exhaust | with directional pilot air exhaust |
| Protection class with connection | IP65 |
| Protective circuit | Z-diode |
| Reverse polarity protection | Protected against polarity reversal |
| LED status display | Yellow |
| Duty cycle | 100 % |
| Typ. switch-on time | 15 ms |
| Typ. switch-off time | 20 ms |
| mounting screws | with hexagon socket |
| Mounting screw tightening torque | 2.9 Nm |
| Weight | 0.236 kg |

Technical data

| Part No. | | MO | | Voltage tolerance | Power consumption |
|-----------------|---|---|-------|-------------------|-------------------|
| | | | | DC | DC |
| R503A2BD0MA00F1 |  |  | NC/NC | -15% / +10% | 1.4 W |
| R503A2BA0MA00F1 |  |  | NO/NO | -15% / +10% | 1.4 W |
| R503A2BD0M11BF1 |  |  | NC/NC | -15% / +10% | 1.4 W |
| R503A2BA0M11BF1 |  |  | NO/NO | -15% / +10% | 1.4 W |

| Part No. | Nominal flow Qn |
|-----------------|-----------------|
| R503A2BD0MA00F1 | 1000 l/min |
| R503A2BA0MA00F1 | 950 l/min |
| R503A2BD0M11BF1 | 1000 l/min |

| Part No. | Nominal flow Qn |
|-----------------|-----------------|
| R503A2BA0M11BF1 | 950 l/min |

Technical information

The min. control pressure must be adhered to, since otherwise faulty switching and valve failure may result!

The pressure dew point must be at least 15 °C under ambient and medium temperature and may not exceed 3 °C .

The oil content of compressed air must remain constant during the life cycle.

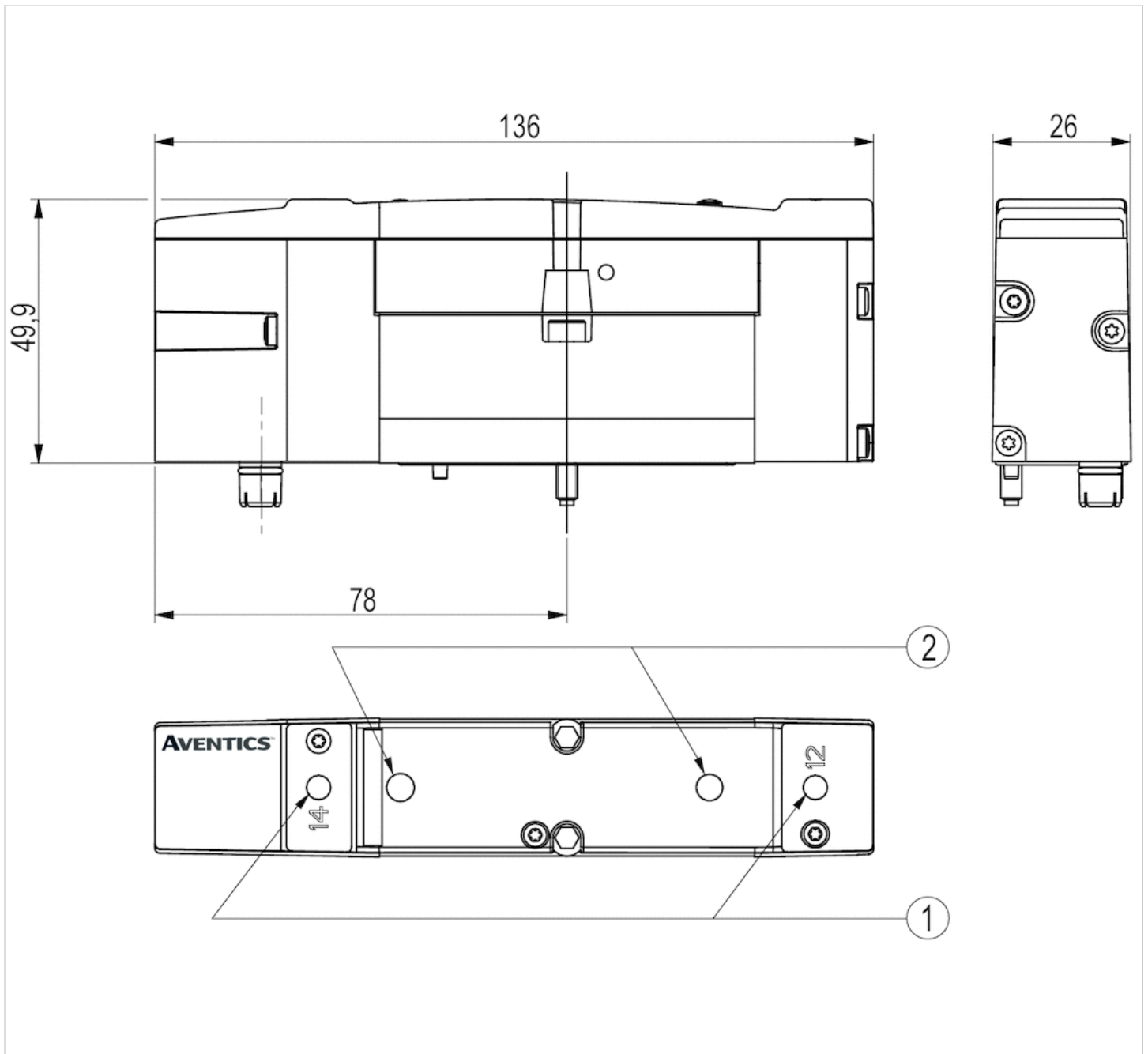
Use only the approved oils from AVENTICS. Further information can be found in the "Technical information" document (available in the MediaCentre).

Technical information

| Material | |
|-------------|---------------------------------------|
| Housing | Die cast zinc |
| Seals | Nitrile butadiene rubber Polyurethane |
| Front plate | Polyamide |
| End plate | Polyamide |

Dimensions

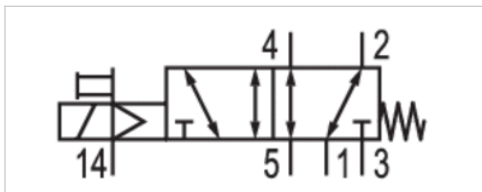
Dimensions



- 1) Manual override
- 2) LED

5/2-directional valve, Series 503

- 5/2
- Qn = 1200-1400 l/min
- Plate connection
- Can be assembled into blocks
- single solenoid
- Pilot : External



| | |
|----------------------------------|---|
| Type | Spool valve, positive overlapping |
| Activation | Electrically |
| Pilot | External |
| Blocking principle | Single base plate principle, can be assembled into blocks |
| Working pressure min./max. | -0.95 ... 8 bar |
| Control pressure min./max. | 2 ... 8 bar |
| Ambient temperature min./max. | -10 ... 50 °C |
| Medium temperature min./max. | -10 ... 50 °C |
| Medium | Compressed air |
| Max. particle size | 50 µm |
| Oil content of compressed air | 0 ... 5 mg/m³ |
| Nominal flow Qn | See table below |
| Pilot control exhaust | with directional pilot air exhaust |
| Protection class with connection | IP65 |
| Protective circuit | Z-diode |
| Reverse polarity protection | Protected against polarity reversal |
| LED status display | Yellow |
| Duty cycle | 100 % |
| mounting screws | with hexagon socket |
| Mounting screw tightening torque | 2.9 Nm |
| Weight | 0.236 kg |

Technical data

| Part No. | MO | Voltage tolerance | Power consumption | Nominal flow Qn |
|-----------------|----|-------------------|-------------------|-----------------|
| | | DC | DC | |
| R503A1B10MA00F1 | | -15% / +10% | 1.4 W | 1200 l/min |
| R503A1B10M11BF1 | | -15% / +10% | 1.4 W | 1200 l/min |
| R503A2B10MA00F1 | | -15% / +10% | 1.4 W | 1400 l/min |
| R503A2B10M11BF1 | | -15% / +10% | 1.4 W | 1400 l/min |
| R503A2BN0MA00F1 | | -15% / +10% | 1.4 W | 1400 l/min |
| R503A2BN0M11BF1 | | -15% / +10% | 1.4 W | 1400 l/min |

| Part No. | Typ. switch-on time | Typ. switch-off time |
|-----------------|---------------------|----------------------|
| R503A1B10MA00F1 | 20 ms | 60 ms |
| R503A1B10M11BF1 | 20 ms | 60 ms |
| R503A2B10MA00F1 | 20 ms | 60 ms |
| R503A2B10M11BF1 | 20 ms | 60 ms |
| R503A2BN0MA00F1 | 28 ms | 40 ms |
| R503A2BN0M11BF1 | 28 ms | 40 ms |

Technical information

The min. control pressure must be adhered to, since otherwise faulty switching and valve failure may result!

The pressure dew point must be at least 15 °C under ambient and medium temperature and may not exceed 3 °C .

The oil content of compressed air must remain constant during the life cycle.

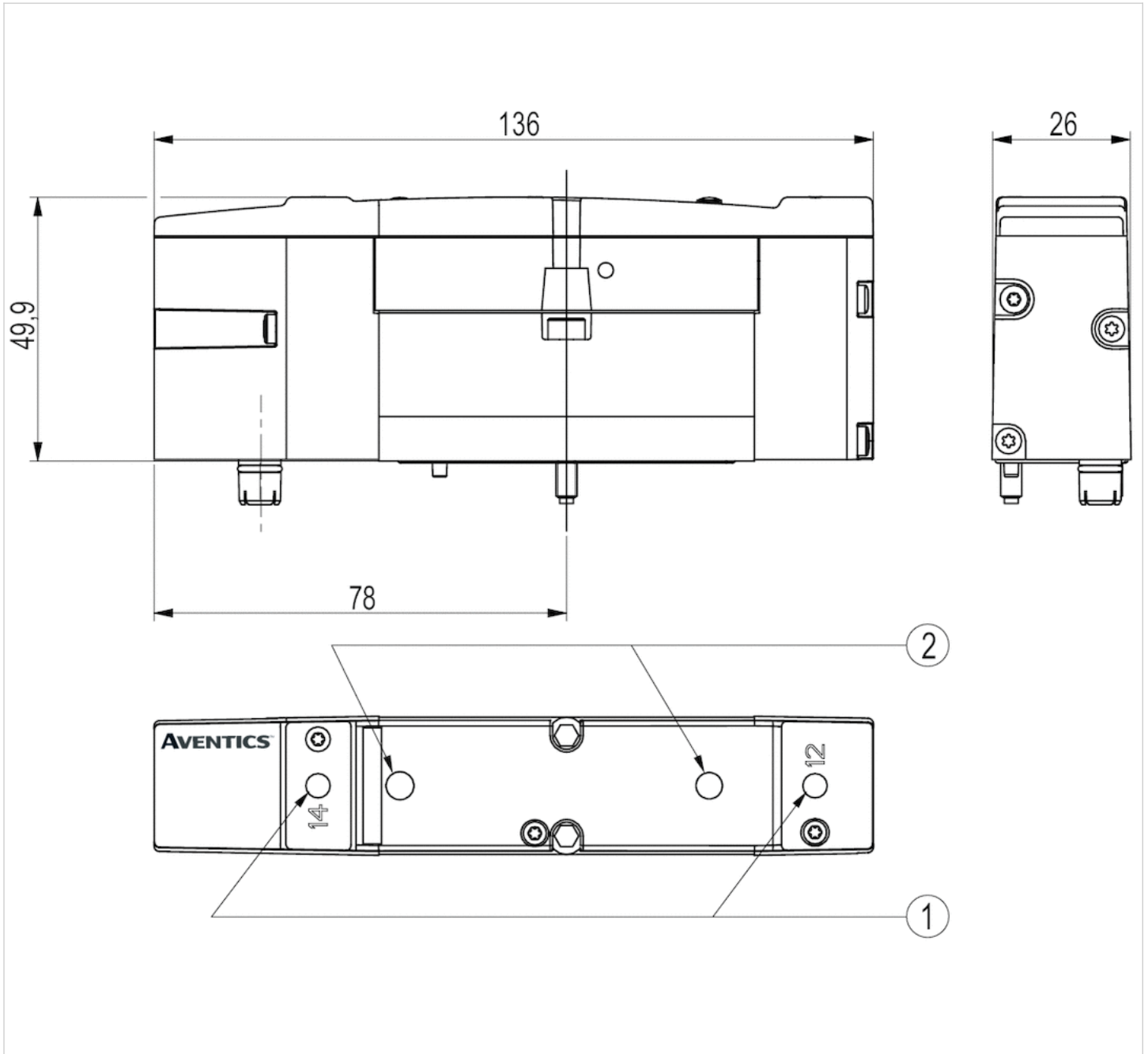
Use only the approved oils from AVENTICS. Further information can be found in the "Technical information" document (available in the MediaCentre).

Technical information

| Material | |
|-------------|---------------------------------------|
| Housing | Die cast zinc |
| Seals | Nitrile butadiene rubber Polyurethane |
| Front plate | Polyamide |
| End plate | Polyamide |

Dimensions

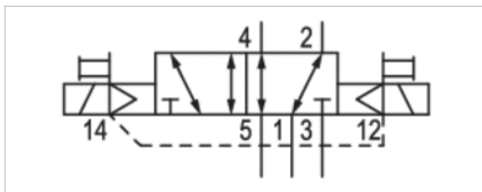
Dimensions



- 1) Manual override
- 2) LED

5/2-directional valve, Series 503

- 5/2
- Qn = 1200-1400 l/min
- Plate connection
- Can be assembled into blocks
- double solenoid
- Pilot : External



| | |
|----------------------------------|---|
| Type | Spool valve, positive overlapping |
| Activation | Electrically |
| Pilot | External |
| Blocking principle | Single base plate principle, can be assembled into blocks |
| Working pressure min./max. | -0.95 ... 8 bar |
| Control pressure min./max. | 2 ... 8 bar |
| Ambient temperature min./max. | -10 ... 50 °C |
| Medium temperature min./max. | -10 ... 50 °C |
| Medium | Compressed air |
| Max. particle size | 50 µm |
| Oil content of compressed air | 0 ... 5 mg/m ³ |
| Nominal flow Qn | See table below |
| Pilot control exhaust | with directional pilot air exhaust |
| Protection class with connection | IP65 |
| Protective circuit | Z-diode |
| Reverse polarity protection | Protected against polarity reversal |
| LED status display | Yellow |
| Duty cycle | 100 % |
| mounting screws | with hexagon socket |
| Mounting screw tightening torque | 2.9 Nm |
| Weight | 0.236 kg |

Technical data

| Part No. | MO | Voltage tolerance | Power consumption | Nominal flow Qn |
|-----------------|----|-------------------|-------------------|-----------------|
| | | DC | DC | |
| R503A1B40MA00F1 | | -15% / +10% | 1.4 W | 1200 l/min |
| R503A1B40M11BF1 | | -15% / +10% | 1.4 W | 1200 l/min |
| R503A2B40M11BF1 | | -15% / +10% | 1.4 W | 1400 l/min |
| R503A2B40MA00F1 | | -15% / +10% | 1.4 W | 1400 l/min |

| Part No. | Typ. switch-on time | Typ. switch-off time |
|-----------------|---------------------|----------------------|
| R503A1B40MA00F1 | 15 ms | 15 ms |
| R503A1B40M11BF1 | 15 ms | 15 ms |
| R503A2B40M11BF1 | 20 ms | 20 ms |
| R503A2B40MA00F1 | 20 ms | 20 ms |

Technical information

The min. control pressure must be adhered to, since otherwise faulty switching and valve failure may result!

The pressure dew point must be at least 15 °C under ambient and medium temperature and may not exceed 3 °C .

The oil content of compressed air must remain constant during the life cycle.

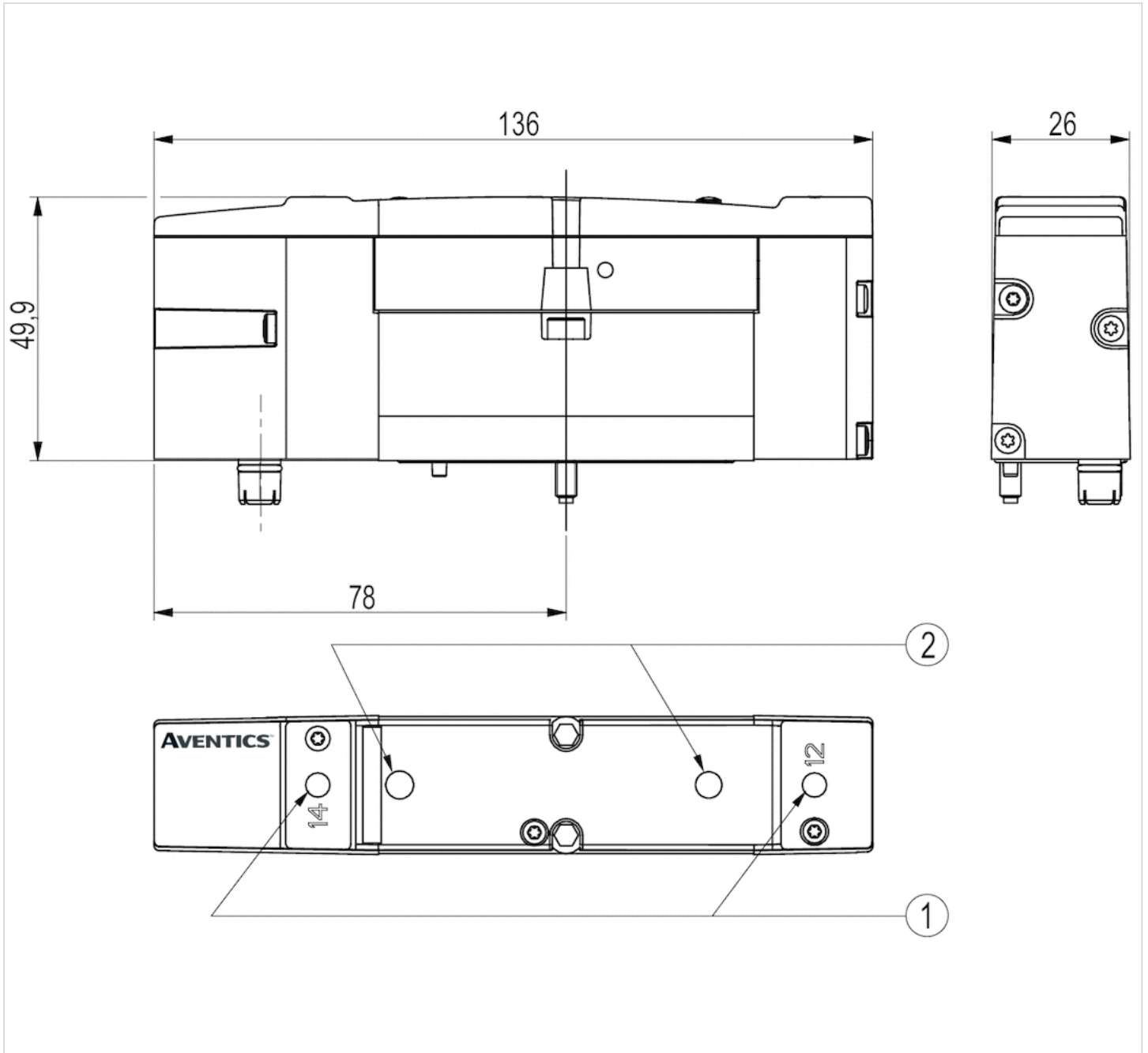
Use only the approved oils from AVENTICS. Further information can be found in the "Technical information" document (available in the MediaCentre).

Technical information

| Material | |
|-------------|---------------------------------------|
| Housing | Die cast zinc |
| Seals | Nitrile butadiene rubber Polyurethane |
| Front plate | Polyamide |
| End plate | Polyamide |

Dimensions

Dimensions



- 1) Manual override
- 2) LED



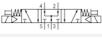





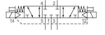
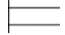
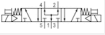

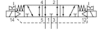

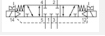




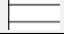
5/3-directional valve, Series 503

- 5/3
- $Q_n = 600-1400 \text{ l/min}$
- exhausted center pressurized center closed center
- Plate connection
- Can be assembled into blocks
- double solenoid
- Pilot : External



| | |
|----------------------------------|---|
| Type | Spool valve, positive overlapping |
| Activation | Electrically |
| Pilot | External |
| Blocking principle | Single base plate principle, can be assembled into blocks |
| Working pressure min./max. | -0.95 ... 8 bar |
| Control pressure min./max. | See table below |
| Ambient temperature min./max. | -10 ... 50 °C |
| Medium temperature min./max. | -10 ... 50 °C |
| Medium | Compressed air |
| Max. particle size | 50 μm |
| Oil content of compressed air | 0 ... 5 mg/m^3 |
| Nominal flow Q_n | See table below |
| Pilot control exhaust | with directional pilot air exhaust |
| Protection class with connection | IP65 |
| Protective circuit | Z-diode |
| Reverse polarity protection | Protected against polarity reversal |
| LED status display | Yellow |
| Duty cycle | 100 % |
| mounting screws | with hexagon socket |
| Mounting screw tightening torque | 2.9 Nm |
| Weight | 0.236 kg |

Technical data

| Part No. | | MO | | Voltage tolerance |
|-----------------|---|---|--------------------|-------------------|
| | | | | DC |
| R503A1B50MA00F1 |  |  | exhausted center | -15% / +10% |
| R503A1B70MA00F1 |  |  | pressurized center | -15% / +10% |
| R503A1B50M11BF1 |  |  | exhausted center | -15% / +10% |
| R503A1B70M11BF1 |  |  | pressurized center | -15% / +10% |
| R503A2B60MA00F1 |  |  | closed center | -15% / +10% |
| R503A2B70MA00F1 |  |  | pressurized center | -15% / +10% |
| R503A2B50M11BF1 |  |  | exhausted center | -15% / +10% |
| R503A2B60M11BF1 |  |  | closed center | -15% / +10% |
| R503A2B70M11BF1 |  |  | pressurized center | -15% / +10% |
| R503A2B50MA00F1 |  |  | exhausted center | -15% / +10% |

| Part No. | Power consumption | Nominal flow Q_n | Control pressure min./max. | Typ. switch-on time |
|-----------------|-------------------|--------------------|----------------------------|---------------------|
| | DC | | | |
| R503A1B50MA00F1 | 1.4 W | 1000 l/min | 2 ... 8 bar | 20 ms |

| Part No. | Power consumption | Nominal flow Q _n | Control pressure min./max. | Typ. switch-on time |
|-----------------|-------------------|-----------------------------|----------------------------|---------------------|
| | DC | | | |
| R503A1B70MA00F1 | 1.4 W | 1000 l/min | 2 ... 8 bar | 20 ms |
| R503A1B50M11BF1 | 1.4 W | 1000 l/min | 2 ... 8 bar | 20 ms |
| R503A1B70M11BF1 | 1.4 W | 1000 l/min | 2 ... 8 bar | 20 ms |
| R503A2B60MA00F1 | 1.4 W | 1400 l/min | 4 ... 8 bar | 15 ms |
| R503A2B70MA00F1 | 1.4 W | 1300 l/min | 3 ... 8 bar | 18 ms |
| R503A2B50M11BF1 | 1.4 W | 600 l/min | 3 ... 8 bar | 18 ms |
| R503A2B60M11BF1 | 1.4 W | 1400 l/min | 4 ... 8 bar | 15 ms |
| R503A2B70M11BF1 | 1.4 W | 1300 l/min | 3 ... 8 bar | 18 ms |
| R503A2B50MA00F1 | 1.4 W | 600 l/min | 3 ... 8 bar | 18 ms |

| Part No. | Typ. switch-off time |
|-----------------|----------------------|
| R503A1B50MA00F1 | 60 ms |
| R503A1B70MA00F1 | 60 ms |
| R503A1B50M11BF1 | 60 ms |
| R503A1B70M11BF1 | 60 ms |
| R503A2B60MA00F1 | 20 ms |
| R503A2B70MA00F1 | 45 ms |
| R503A2B50M11BF1 | 45 ms |
| R503A2B60M11BF1 | 20 ms |
| R503A2B70M11BF1 | 45 ms |
| R503A2B50MA00F1 | 45 ms |

Technical information

The min. control pressure must be adhered to, since otherwise faulty switching and valve failure may result!

The pressure dew point must be at least 15 °C under ambient and medium temperature and may not exceed 3 °C .

The oil content of compressed air must remain constant during the life cycle.

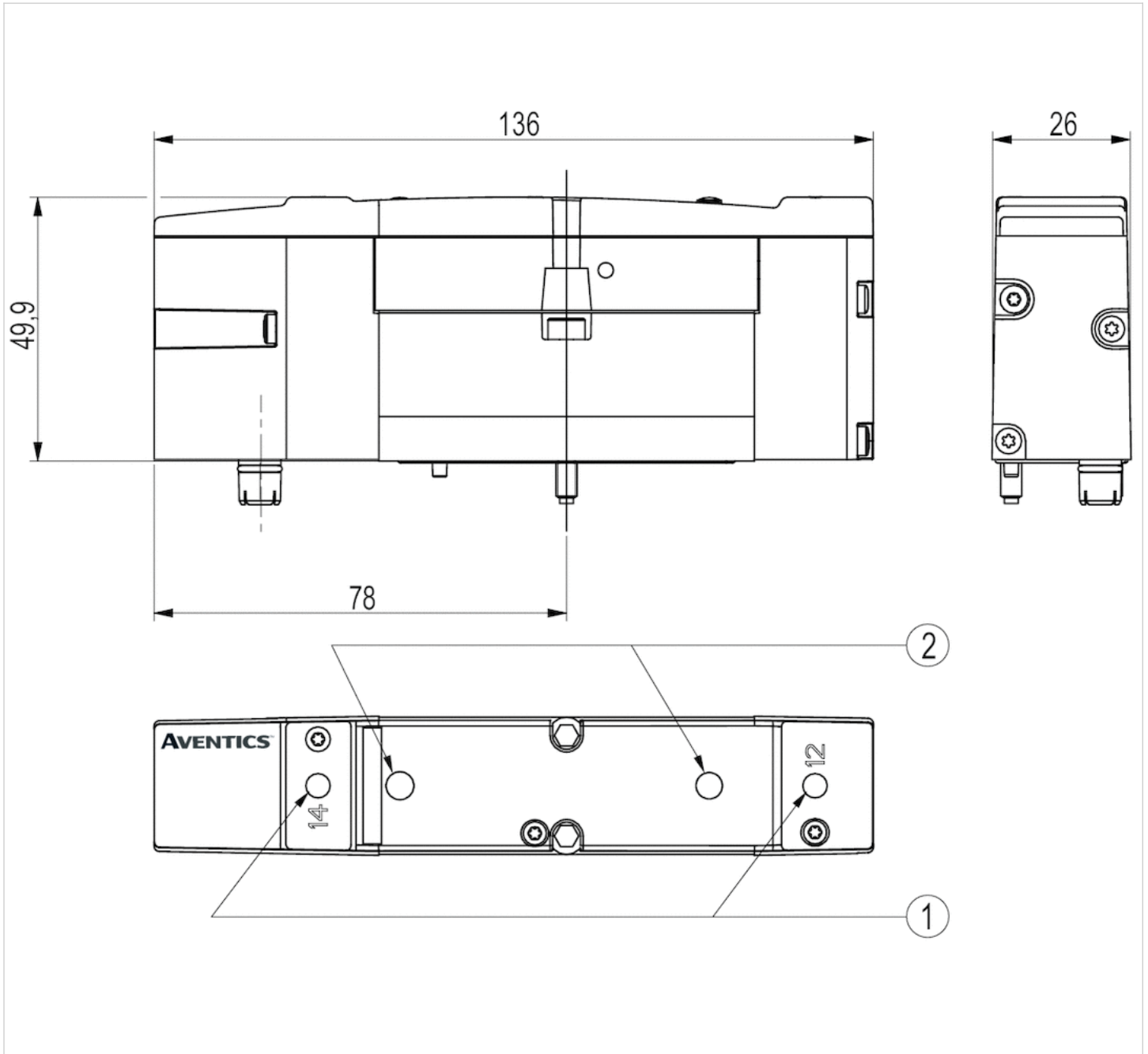
Use only the approved oils from AVENTICS. Further information can be found in the "Technical information" document (available in the MediaCentre).

Technical information

| Material | |
|-------------|---------------------------------------|
| Housing | Die cast zinc |
| Seals | Nitrile butadiene rubber Polyurethane |
| Front plate | Polyamide |
| End plate | Polyamide |

Dimensions

Dimensions



- 1) Manual override
- 2) LED

Bus coupler, Series G3

- Fieldbus connection with I/O functionality, power supply 7/8", 4-pin
- Bus coupler
- Fieldbus protocol DeviceNet



| | |
|---------------------------------|---------------|
| Version | Bus coupler |
| Ambient temperature min./max. | -10 ... 50 °C |
| Operational voltage electronics | 24 V DC |
| Electronics voltage tolerance | -10% / +10% |
| Power consumption electronics | 0.11 A |
| Operating voltage, actuators | 24 V DC |
| Total current for actuators | 4 A |
| Protection class | IP65 |
| Number of solenoid coils max. | 32 |
| Number of valve positions max. | 32 |
| Diagnosis | Undervoltage |
| I/O module extension max. | 16 |
| Weight | 0.252 kg |

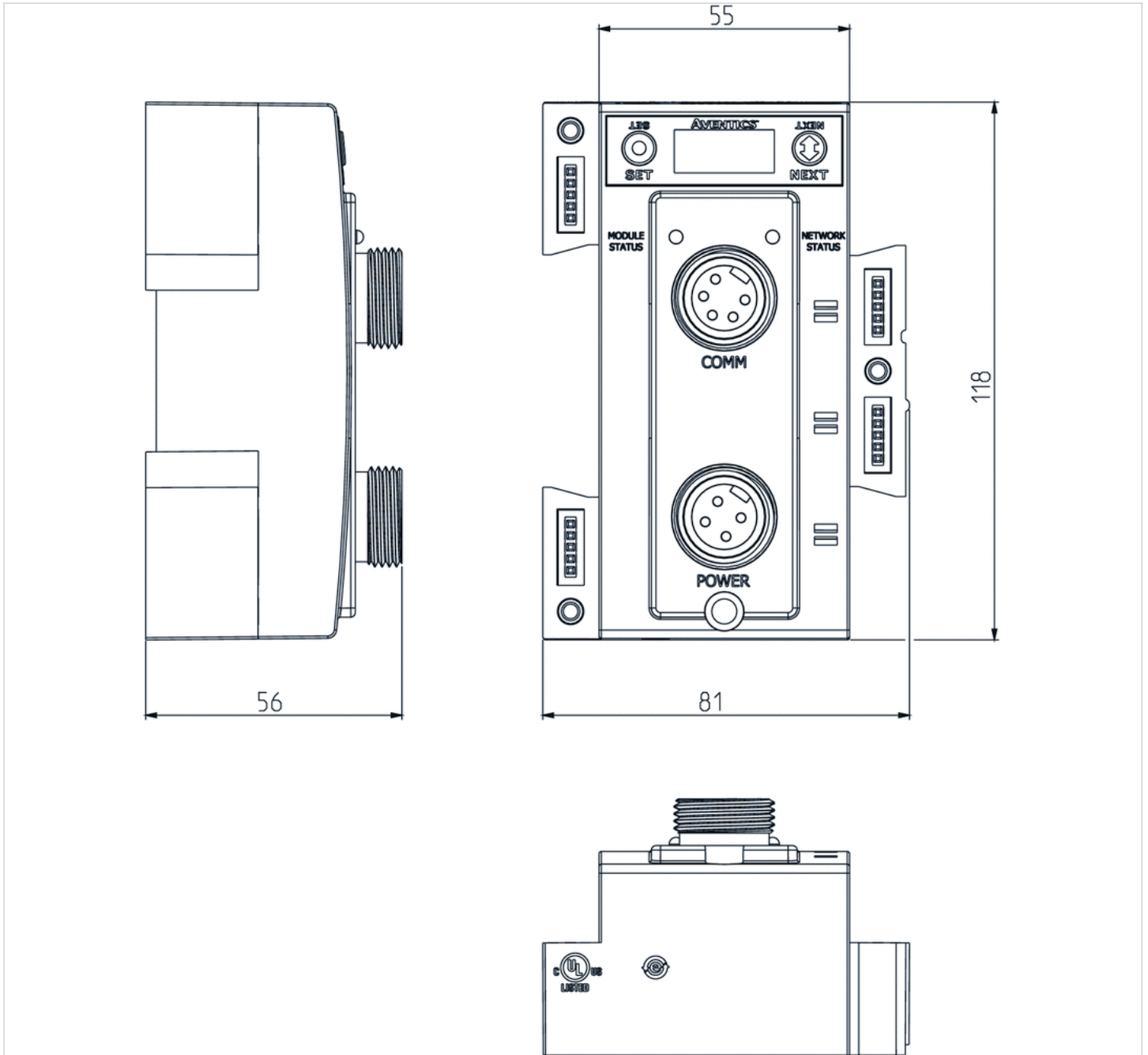
Technical data

| Part No. | Fieldbus protocol | power supply |
|----------|-------------------|--------------------------|
| 240-180 | DeviceNet | Plug (male), 7/8", 4-pin |

Technical information

| Material | |
|----------|---------------------------|
| Housing | Polybutyleneterephthalate |

Dimensions



Series G3

- Fieldbus connection with I/O functionality, power supply 7/8", 4-pin
- Bus coupler
- Fieldbus protocol MODBUS TCP



| | |
|---------------------------------|---------------|
| Version | Bus coupler |
| Ambient temperature min./max. | -10 ... 50 °C |
| Operational voltage electronics | 24 V DC |
| Electronics voltage tolerance | -10% / +10% |
| Power consumption electronics | 0.104 A |
| Operating voltage, actuators | 24 V DC |
| Total current for actuators | 4 A |
| Protection class | IP65 |
| Number of solenoid coils max. | 128 |
| Number of valve positions max. | 110 |
| Diagnosis | Undervoltage |
| I/O module extension max. | 16 |
| Weight | 0.255 kg |

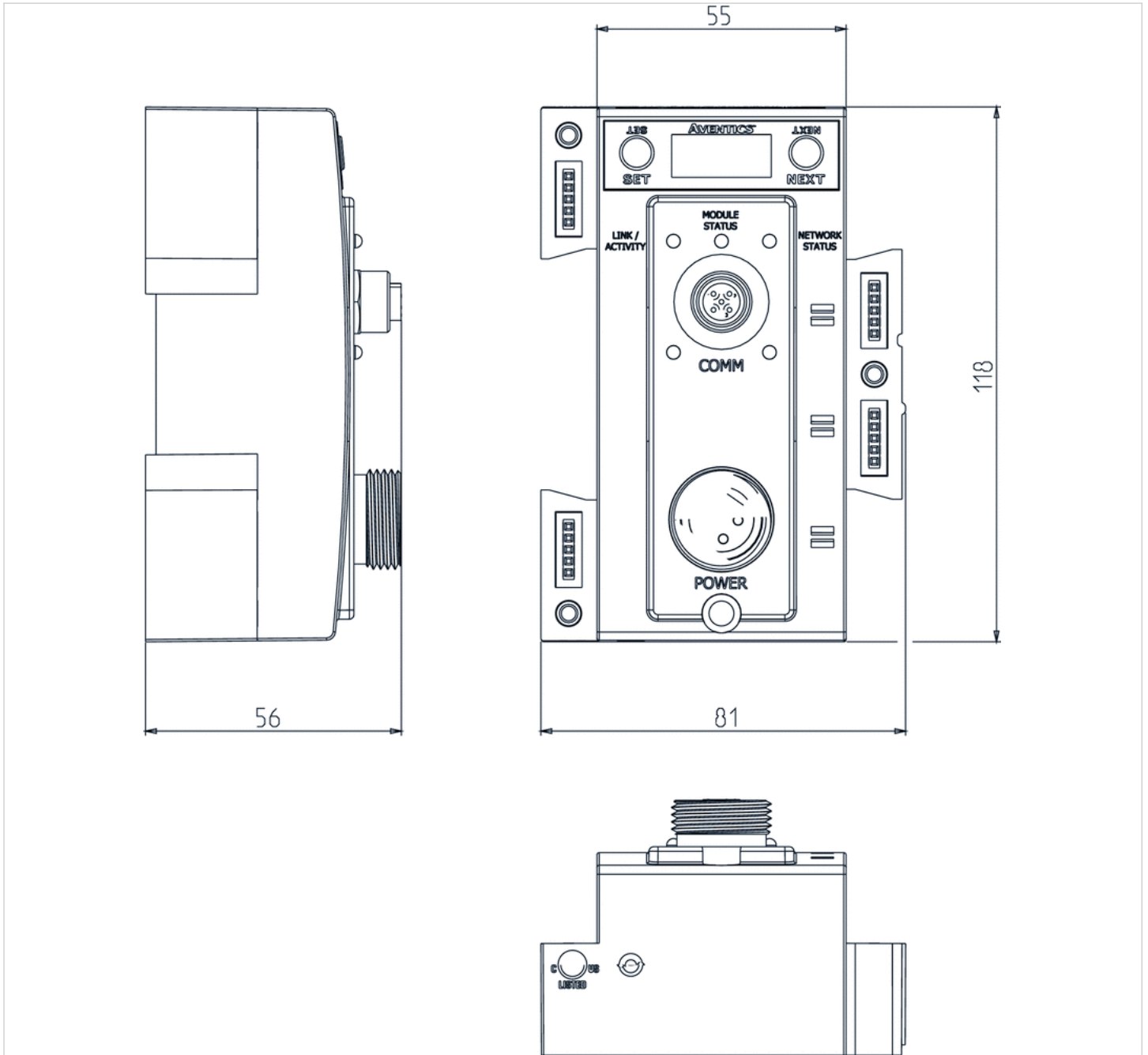
Technical data

| Part No. | Fieldbus protocol | power supply |
|----------|-------------------|--------------------------|
| 240-292 | MODBUS TCP | Plug (male), 7/8", 4-pin |

Technical information

| Material | |
|----------|---------------------------|
| Housing | Polybutyleneterephthalate |

Dimensions



Series G3

- Fieldbus connection with I/O functionality, power supply 7/8", 5-pin
- Bus coupler
- Fieldbus protocol PROFIBUS DP



| | |
|---------------------------------|---------------|
| Version | Bus coupler |
| Ambient temperature min./max. | -10 ... 50 °C |
| Operational voltage electronics | 24 V DC |
| Electronics voltage tolerance | -10% / +10% |
| Power consumption electronics | 0.104 A |
| Operating voltage, actuators | 24 V DC |
| Total current for actuators | 4 A |
| Protection class | IP65 |
| Number of solenoid coils max. | 128 |
| Number of valve positions max. | 110 |
| Diagnosis | Undervoltage |
| I/O module extension max. | 16 |
| Weight | 0.227 kg |

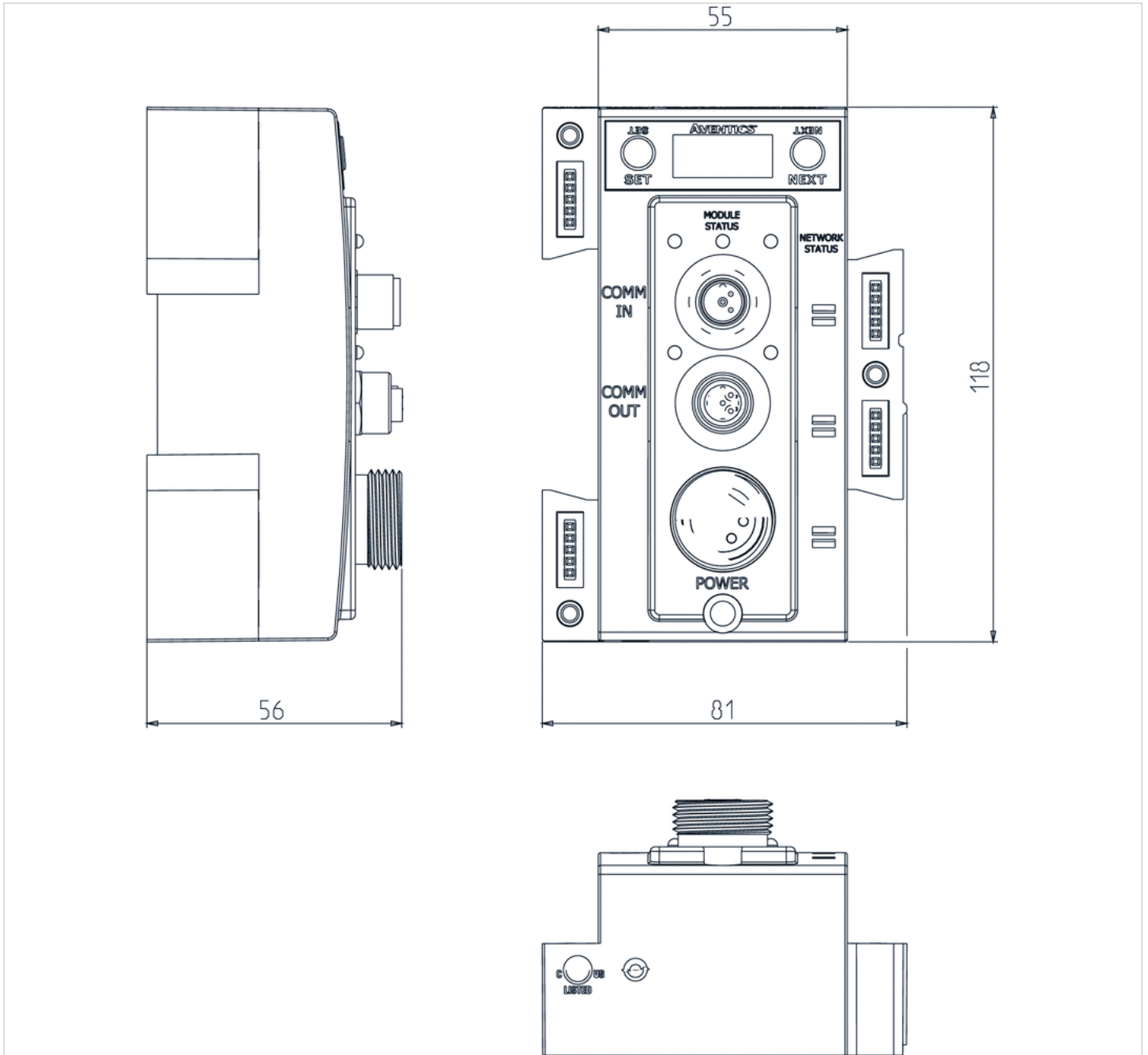
Technical data

| Part No. | Fieldbus protocol | power supply |
|----------|-------------------|--------------------------|
| 240-239 | PROFIBUS DP | Plug (male), 7/8", 5-pin |

Technical information

| Material | |
|----------|---------------------------|
| Housing | Polybutyleneterephthalate |

Dimensions



Series G3

- Fieldbus connection with I/O functionality, power supply 7/8", 5-pin
- Bus coupler
- Fieldbus protocol Profinet



| | |
|---------------------------------|---------------|
| Version | Bus coupler |
| Ambient temperature min./max. | -10 ... 50 °C |
| Operational voltage electronics | 24 V DC |
| Electronics voltage tolerance | -10% / +10% |
| Power consumption electronics | 0.104 A |
| Operating voltage, actuators | 24 V DC |
| Total current for actuators | 4 A |
| Protection class | IP65 |
| Number of solenoid coils max. | 128 |
| Number of valve positions max. | 110 |
| Diagnosis | Undervoltage |
| I/O module extension max. | 16 |
| Weight | 0.227 kg |

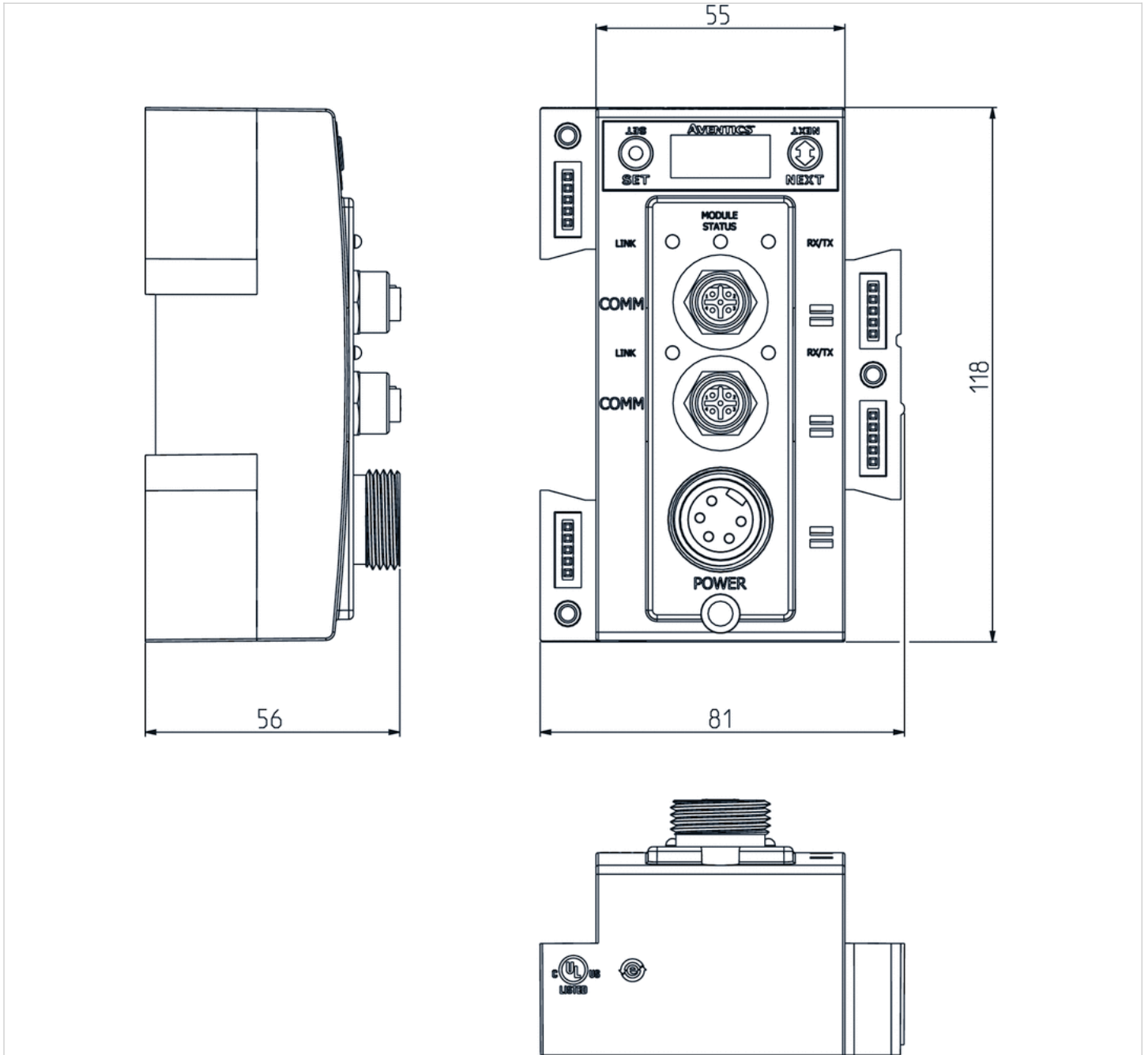
Technical data

| Part No. | Fieldbus protocol | power supply |
|----------|-------------------|--------------------------|
| 240-240 | Profinet | Plug (male), 7/8", 5-pin |

Technical information

| Material | |
|----------|---------------------------|
| Housing | Polybutyleneterephthalate |

Dimensions



Series G3

- Fieldbus connection with I/O functionality, power supply 7/8", 5-pin
- Bus coupler
- Fieldbus protocol POWERLINK



| | |
|---------------------------------|---------------|
| Version | Bus coupler |
| Ambient temperature min./max. | -10 ... 50 °C |
| Operational voltage electronics | 24 V DC |
| Electronics voltage tolerance | -10% / +10% |
| Power consumption electronics | 0.104 A |
| Operating voltage, actuators | 24 V DC |
| Total current for actuators | 4 A |
| Protection class | IP65 |
| Number of solenoid coils max. | 128 |
| Number of valve positions max. | 110 |
| Diagnosis | Undervoltage |
| I/O module extension max. | 16 |
| Weight | 0.227 kg |

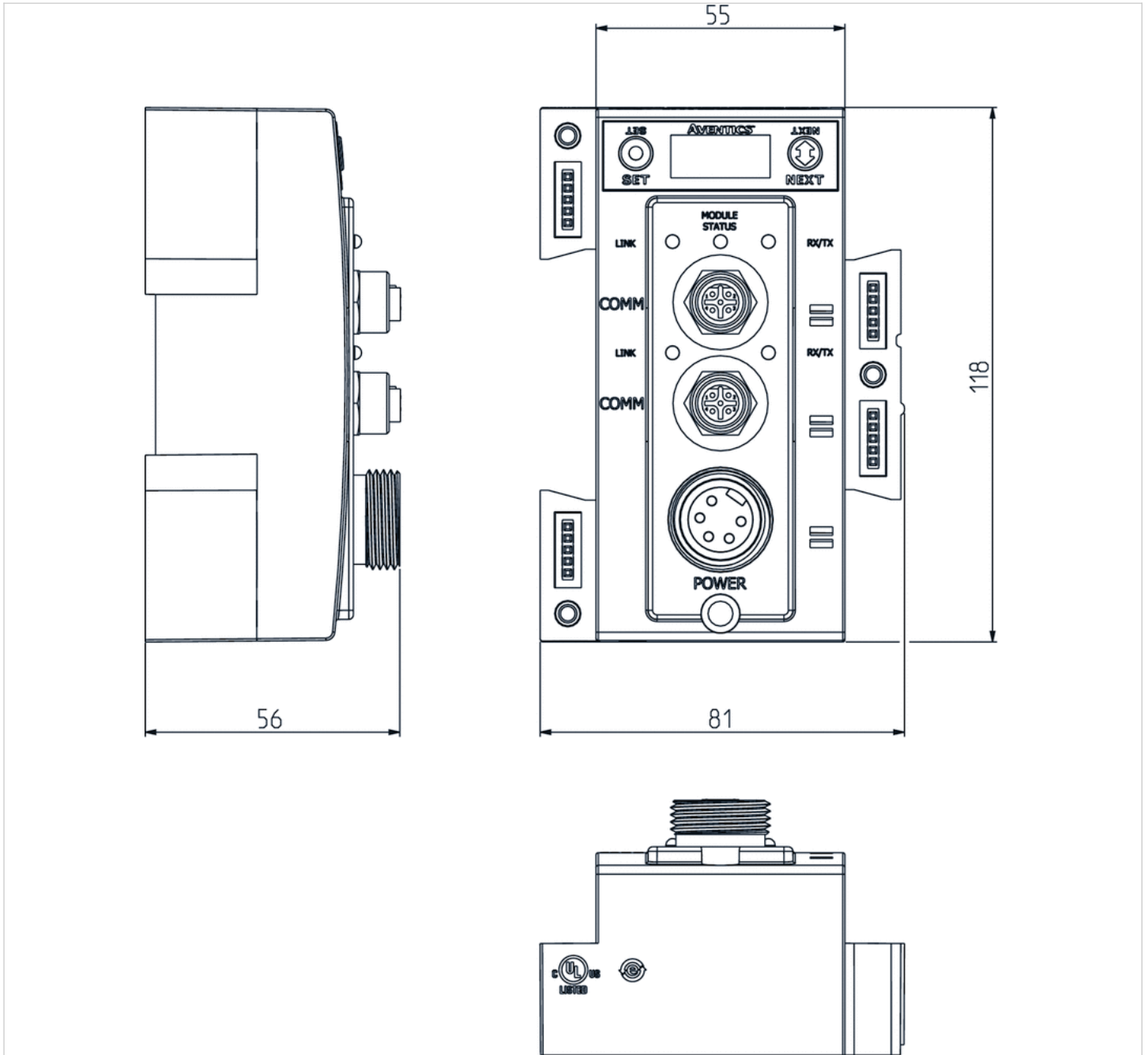
Technical data

| Part No. | Fieldbus protocol | power supply |
|----------|-------------------|--------------------------|
| 240-309 | POWERLINK | Plug (male), 7/8", 5-pin |

Technical information

| Material | |
|----------|---------------------------|
| Housing | Polybutyleneterephthalate |

Dimensions



Series G3

- Fieldbus connection with I/O functionality, power supply 7/8", 4-pin
- Bus coupler
- Fieldbus protocol CANopen



| | |
|---------------------------------|---------------|
| Version | Bus coupler |
| Ambient temperature min./max. | -10 ... 50 °C |
| Operational voltage electronics | 24 V DC |
| Electronics voltage tolerance | -10% / +10% |
| Power consumption electronics | 0.11 A |
| Operating voltage, actuators | 24 V DC |
| Total current for actuators | 4 A |
| Protection class | IP65 |
| Number of solenoid coils max. | 32 |
| Number of valve positions max. | 32 |
| Diagnosis | Undervoltage |
| I/O module extension max. | 16 |
| Weight | 0.252 kg |

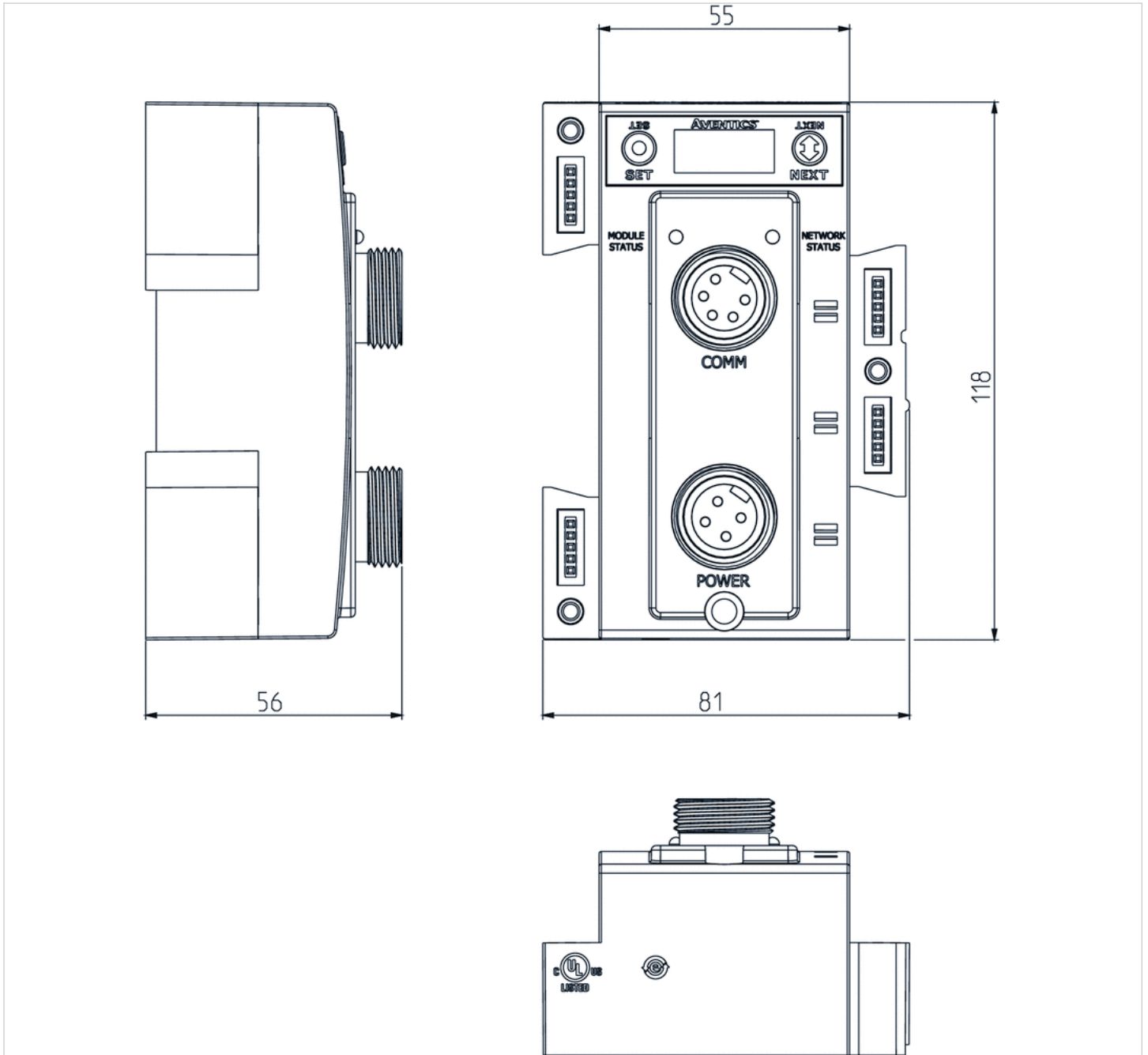
Technical data

| Part No. | Fieldbus protocol | power supply |
|----------|-------------------|--------------------------|
| 240-291 | CANopen | Plug (male), 7/8", 4-pin |

Technical information

| Material | |
|----------|---------------------------|
| Housing | Polybutyleneterephthalate |

Dimensions



Series G3

- Fieldbus connection with I/O functionality, power supply 7/8", 4-pin
- Bus coupler
- Fieldbus protocol EtherNET/IP



| | |
|---------------------------------|---------------|
| Version | Bus coupler |
| Ambient temperature min./max. | -10 ... 50 °C |
| Operational voltage electronics | 24 V DC |
| Electronics voltage tolerance | -10% / +10% |
| Power consumption electronics | 0.104 A |
| Operating voltage, actuators | 24 V DC |
| Total current for actuators | 4 A |
| Protection class | IP65 |
| Number of solenoid coils max. | 128 |
| Number of valve positions max. | 110 |
| Diagnosis | Undervoltage |
| I/O module extension max. | 16 |
| Weight | 0.227 kg |

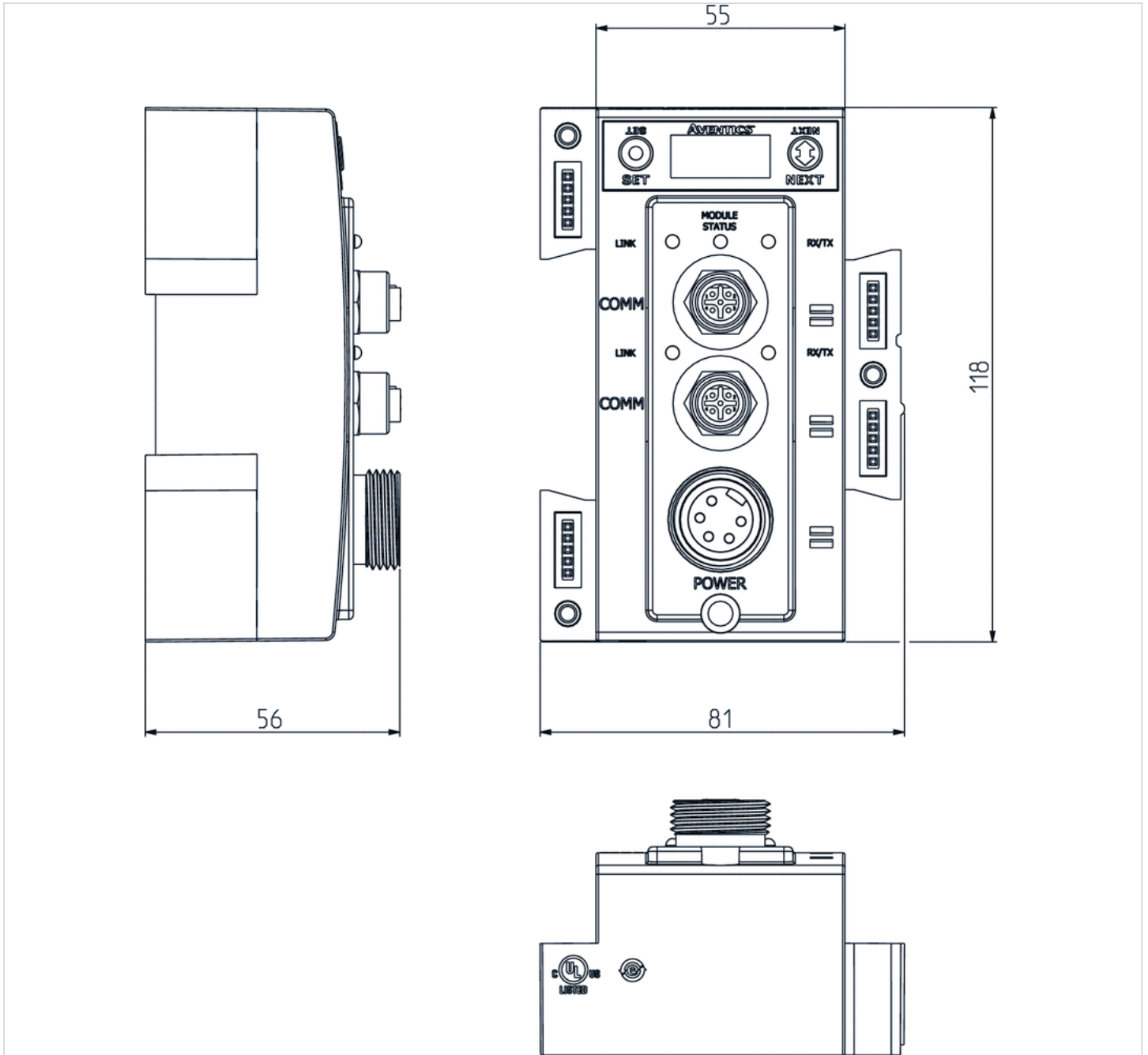
Technical data

| Part No. | Fieldbus protocol | power supply |
|----------|-------------------|--------------------------|
| 240-325 | EtherNET/IP | Plug (male), 7/8", 4-pin |

Technical information

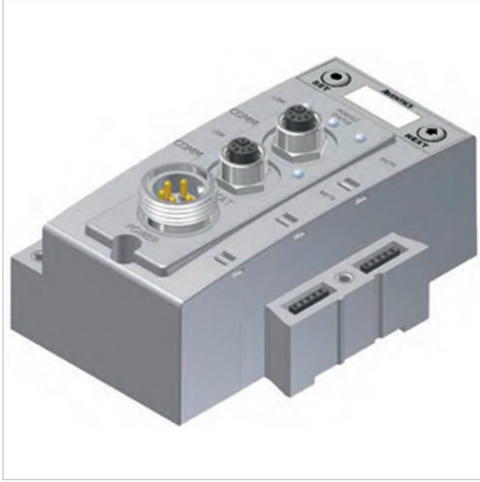
| Material | |
|----------|---------------------------|
| Housing | Polybutyleneterephthalate |

Dimensions



Series G3

- Fieldbus connection with I/O functionality, power supply 7/8", 4-pin
- Bus coupler
- Fieldbus protocol EtherCAT



| | |
|---------------------------------|---------------|
| Version | Bus coupler |
| Ambient temperature min./max. | -10 ... 50 °C |
| Operational voltage electronics | 24 V DC |
| Electronics voltage tolerance | -10% / +10% |
| Power consumption electronics | 0.104 A |
| Operating voltage, actuators | 24 V DC |
| Total current for actuators | 4 A |
| Protection class | IP65 |
| Number of solenoid coils max. | 128 |
| Number of valve positions max. | 110 |
| Diagnosis | Undervoltage |
| I/O module extension max. | 16 |
| Weight | 0.227 kg |

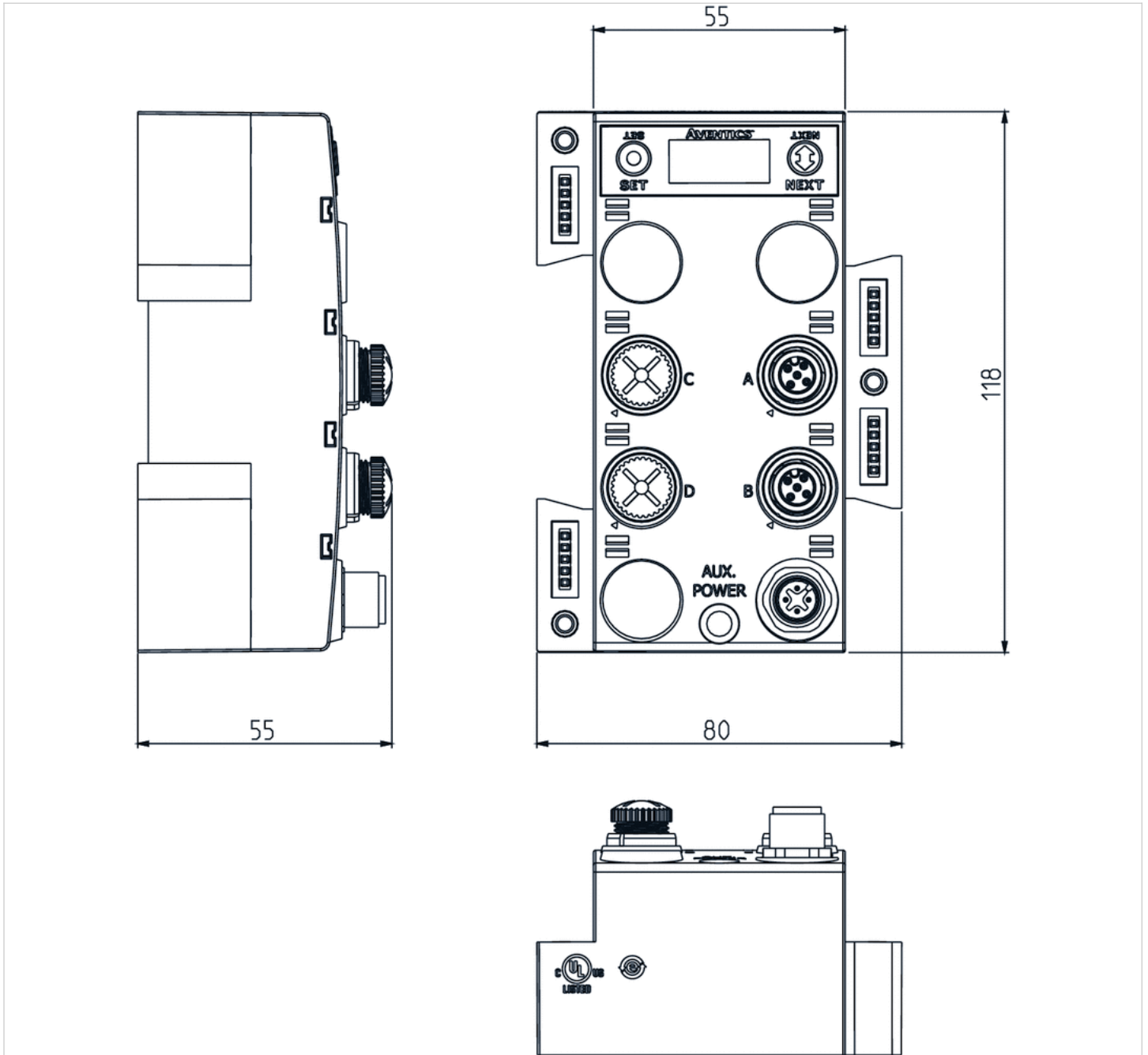
Technical data

| Part No. | Fieldbus protocol | power supply |
|----------|-------------------|--------------------------|
| 240-310 | EtherCAT | Plug (male), 7/8", 4-pin |

Technical information

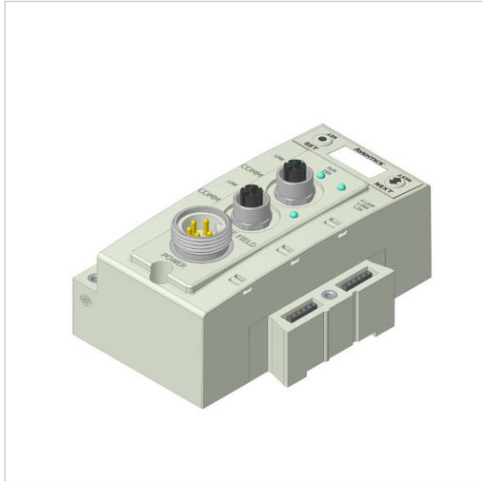
| Material | |
|----------|---------------------------|
| Housing | Polybutyleneterephthalate |

Dimensions



Series G3

- Fieldbus connection with I/O functionality, power supply 7/8", 4-pin
- Bus coupler
- Fieldbus protocol EtherCAT



| | |
|---------------------------------|---------------|
| Version | Bus coupler |
| Ambient temperature min./max. | -10 ... 50 °C |
| Operational voltage electronics | 24 V DC |
| Electronics voltage tolerance | -10% / +10% |
| Power consumption electronics | 0.11 A |
| Operating voltage, actuators | 24 V DC |
| Total current for actuators | 4 A |
| Protection class | IP65 |
| Diagnosis | Undervoltage |
| I/O module extension max. | 16 |
| Weight | 0.269 kg |

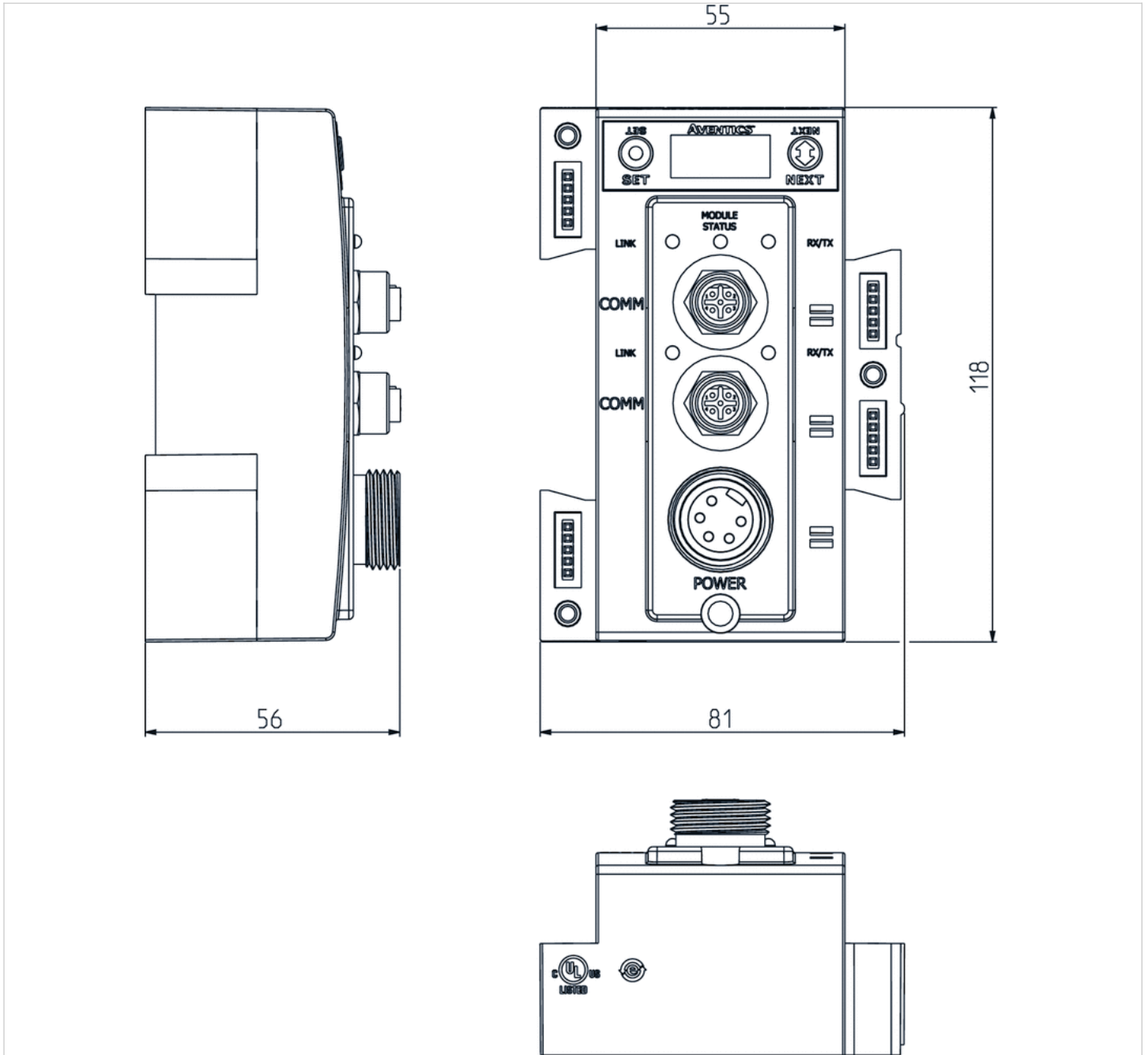
Technical data

| Part No. | Fieldbus protocol | power supply |
|----------|-------------------|-------------------|
| 240-362 | EtherCAT | Plug, 7/8", 4-pin |

Technical information

| Material | |
|----------|---------------------------|
| Housing | Polybutyleneterephthalate |

Dimensions



End plate left

- Left end plate G3



| | |
|---------------------------------|---------------|
| Ambient temperature min./max. | -10 ... 50 °C |
| Operational voltage electronics | 24 V DC |
| Electronics voltage tolerance | -10% / +10% |
| Total current for actuators | 4 A |
| Protection class | IP65 |
| Weight | 0.091 kg |

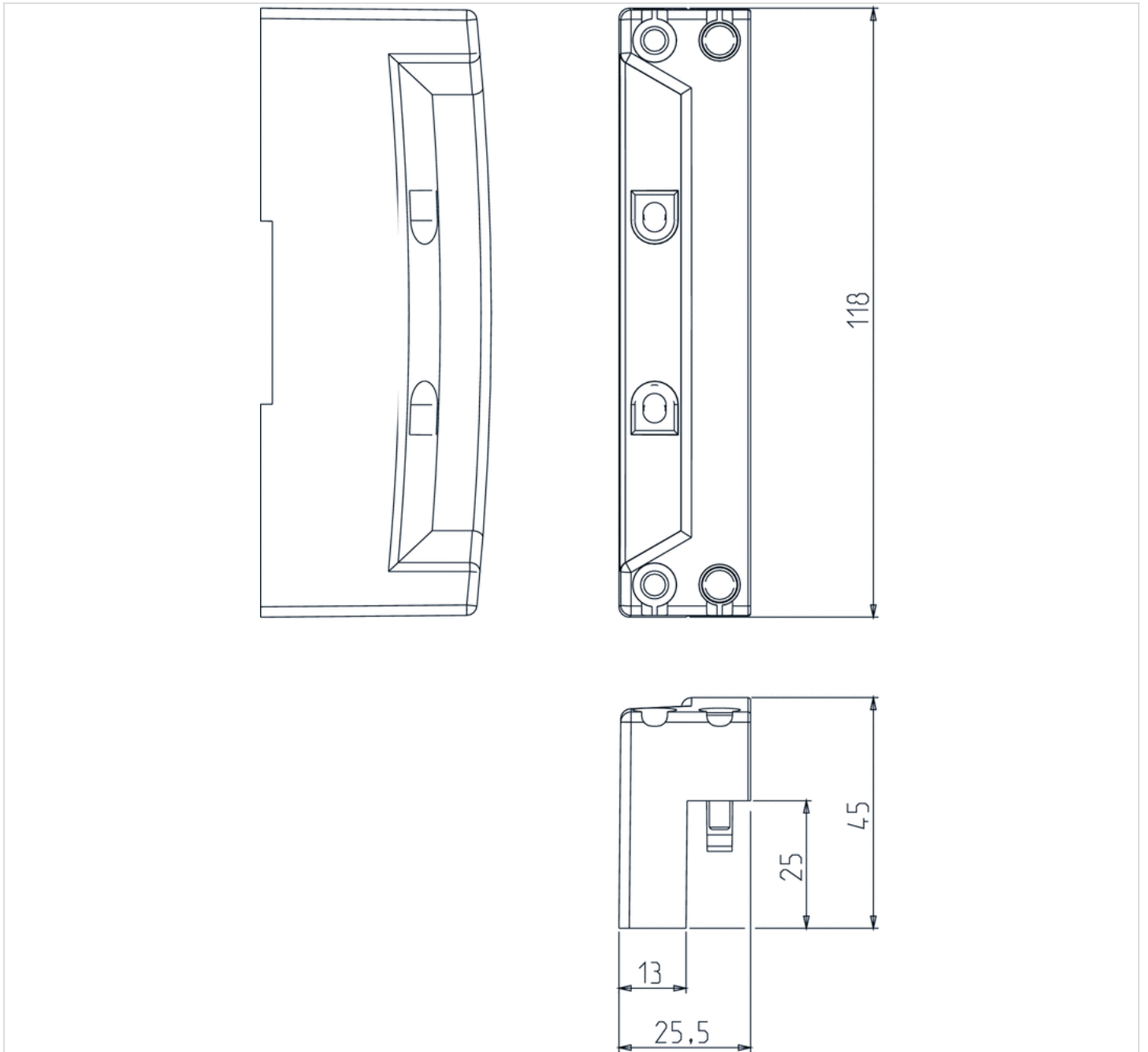
Technical data

| Part No. | power supply |
|----------|--------------|
| 240-184 | 4 |

Technical information

| Material | |
|----------|---------------------------|
| Housing | polyethyleneterephthalate |

Dimensions



Left end plate for Subbus G3



| | |
|---------------------------------|---------------|
| Ambient temperature min./max. | -10 ... 50 °C |
| Operational voltage electronics | 24 V DC |
| Electronics voltage tolerance | -10% / +10% |
| Total current for actuators | 4 A |
| Protection class | IP65 |
| I/O connection | M12x1, 4-pin |
| Weight | 0.13 kg |

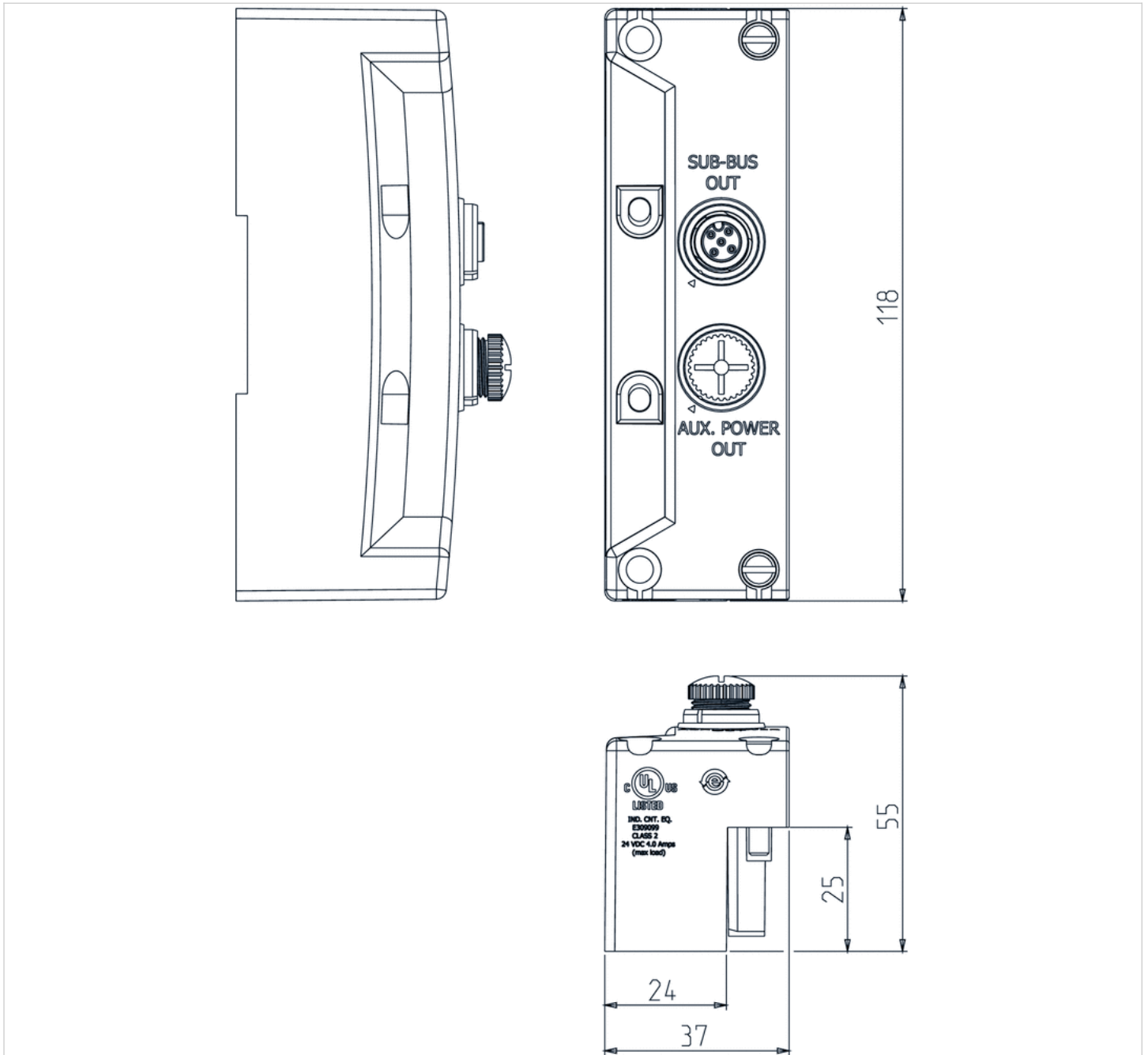
Technical data

| Part No. | power supply | I/O connection |
|----------|--------------|----------------|
| 240-183 | 4 | M12x1, 4-pin |

Technical information

| Material | |
|----------|---------------------------|
| Housing | polyethyleneterephthalate |

Dimensions



End plate right



| | |
|---------------------------------|---------------|
| Ambient temperature min./max. | -10 ... 50 °C |
| Operational voltage electronics | 24 V DC |
| Electronics voltage tolerance | -10% / +10% |
| Total current for actuators | 4 A |
| Protection class | IP65 |
| I/O connection | M12x1, 4-pin |
| Weight | 0.13 kg |

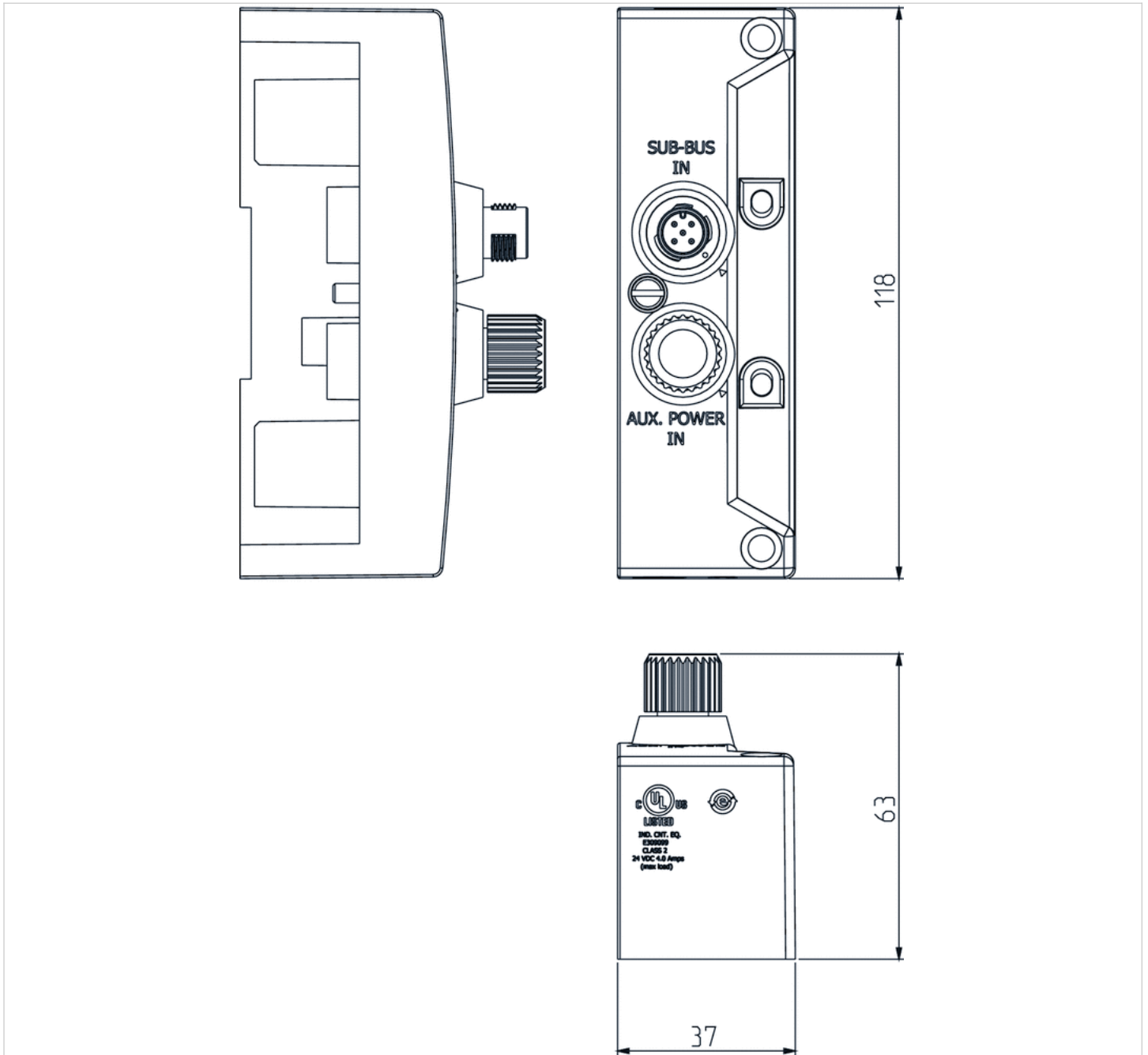
Technical data

| Part No. | power supply | I/O connection |
|----------|--------------|----------------|
| 240-185 | 4 | M12x1, 4-pin |

Technical information

| Material | |
|----------|---------------------------|
| Housing | polyethyleneterephthalate |

Dimensions



End plate right



| | |
|---------------------------------|---------------|
| Ambient temperature min./max. | -10 ... 50 °C |
| Operational voltage electronics | 24 V DC |
| Electronics voltage tolerance | -10% / +10% |
| Total current for actuators | 4 A |
| Protection class | IP65 |
| Weight | 0.071 kg |

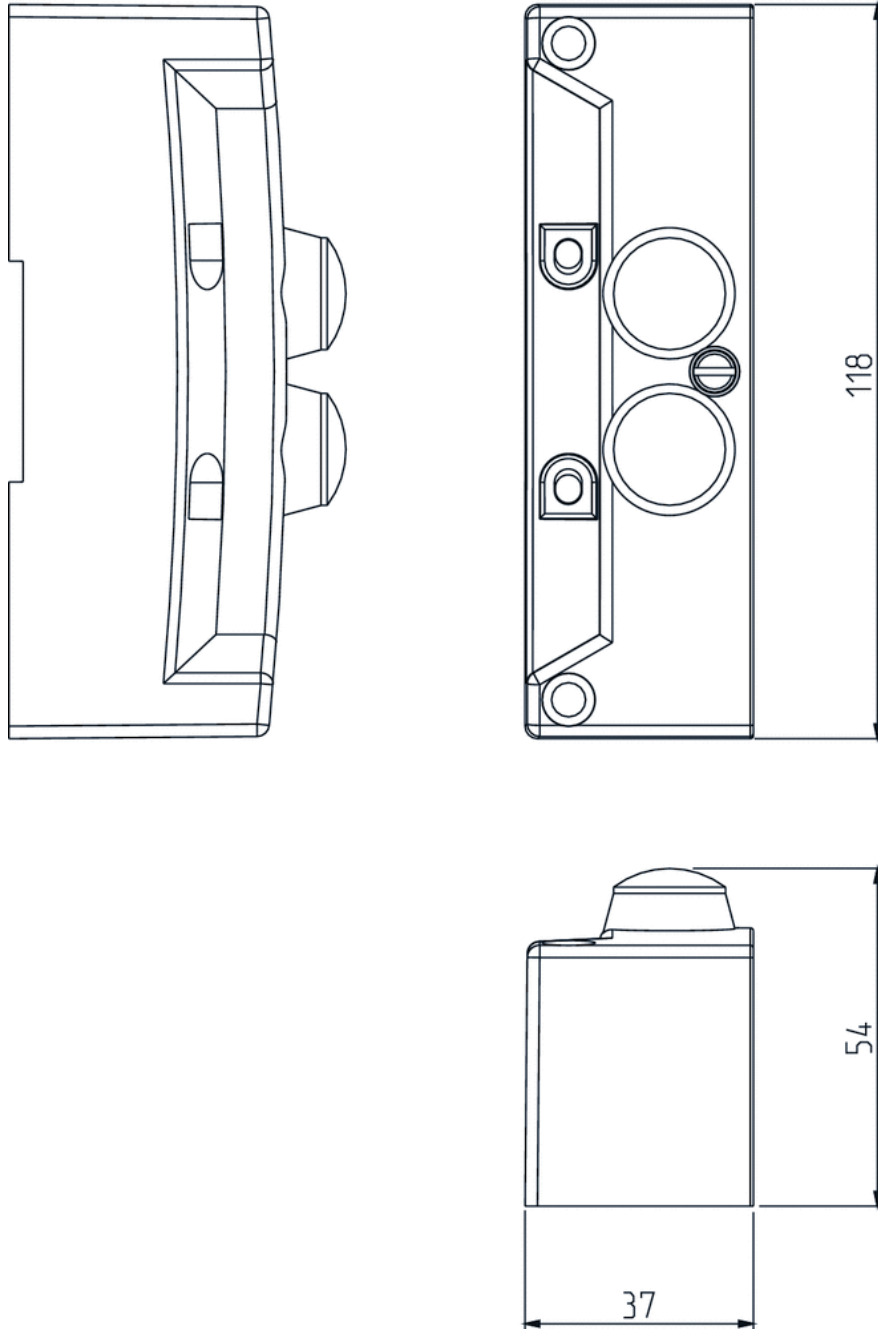
Technical data

| Part No. | power supply |
|----------|--------------|
| 240-255 | 4 |

Technical information

| Material | |
|----------|---------------------------|
| Housing | polyethyleneterephthalate |

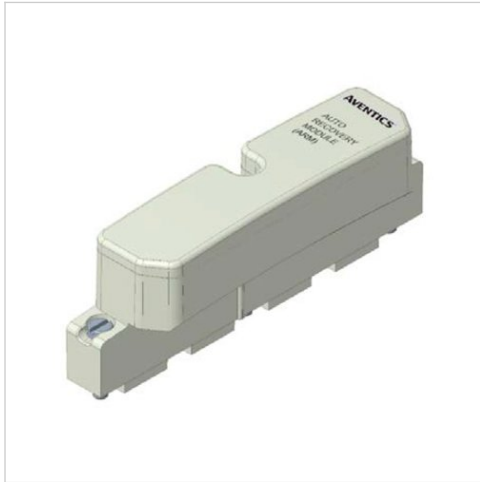
Dimensions



Spring clamp element

- Series G3

- GPC



Ambient temperature min./max.

-10 ... 50 °C

Technical data

Part No.

240-383

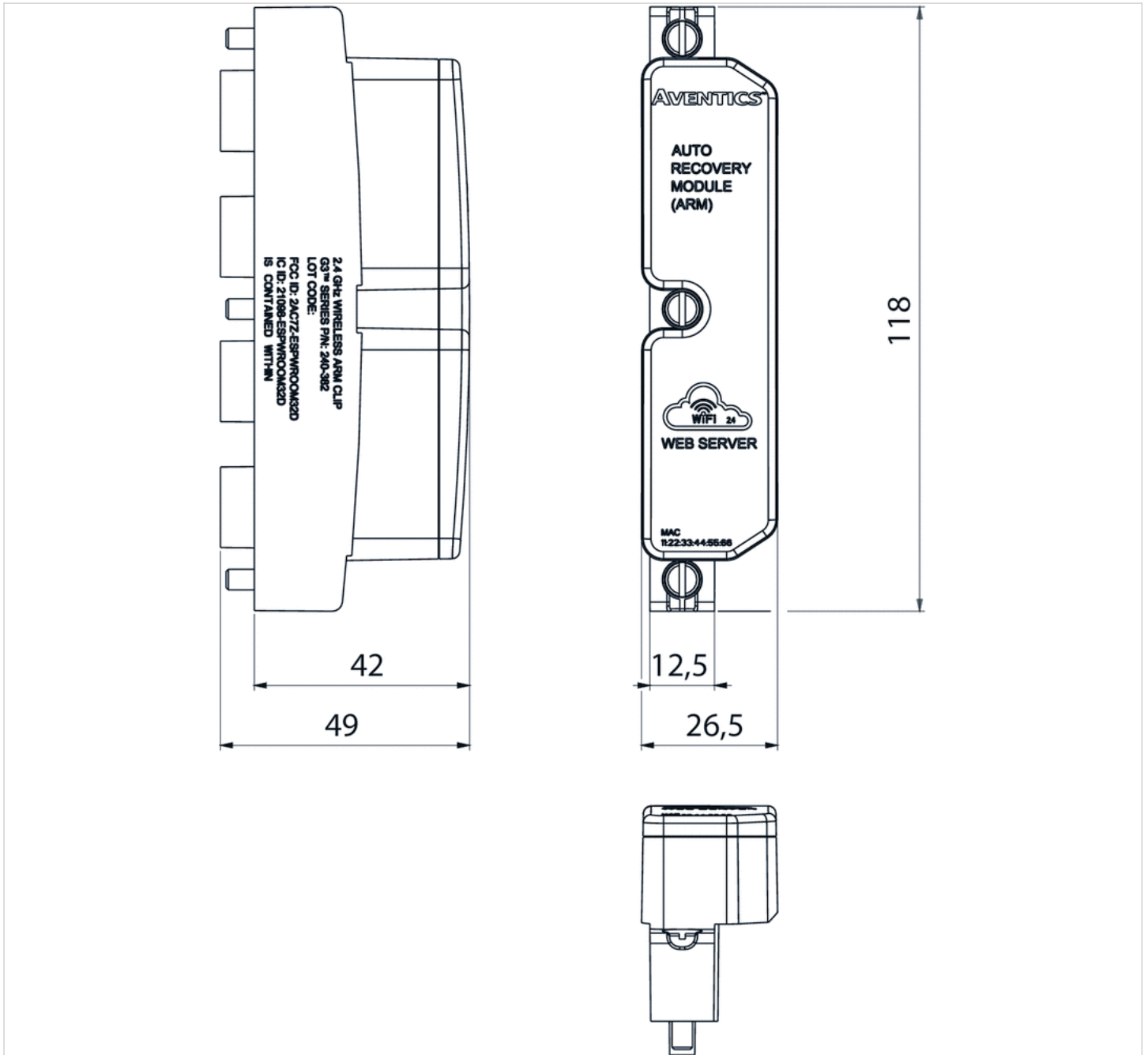
Technical information

Material

Housing

Polybutyleneterephthalate

Dimensions



Spring clamp element

- Series G3
- GPC



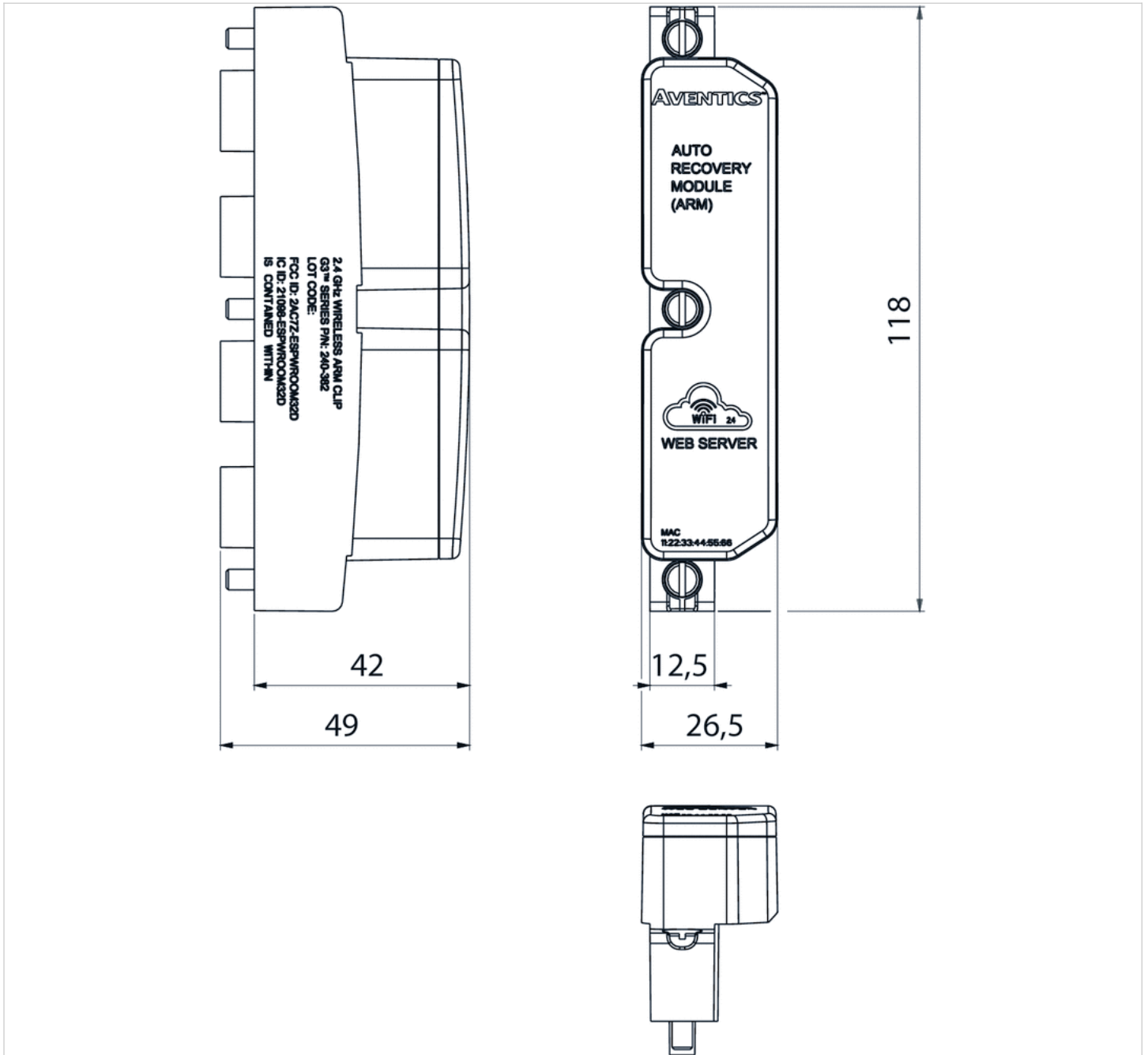
Ambient temperature min./max. -10 ... 50 °C

Technical data

Part No.

240-382

Dimensions



Distributor

- Valve driver, Series 500



| | |
|---------------------------------|---------------|
| Ambient temperature min./max. | -10 ... 50 °C |
| Operational voltage electronics | 24 V DC |
| Electronics voltage tolerance | -10% / +10% |
| Total current for actuators | 4 A |
| Protection class | IP65 |

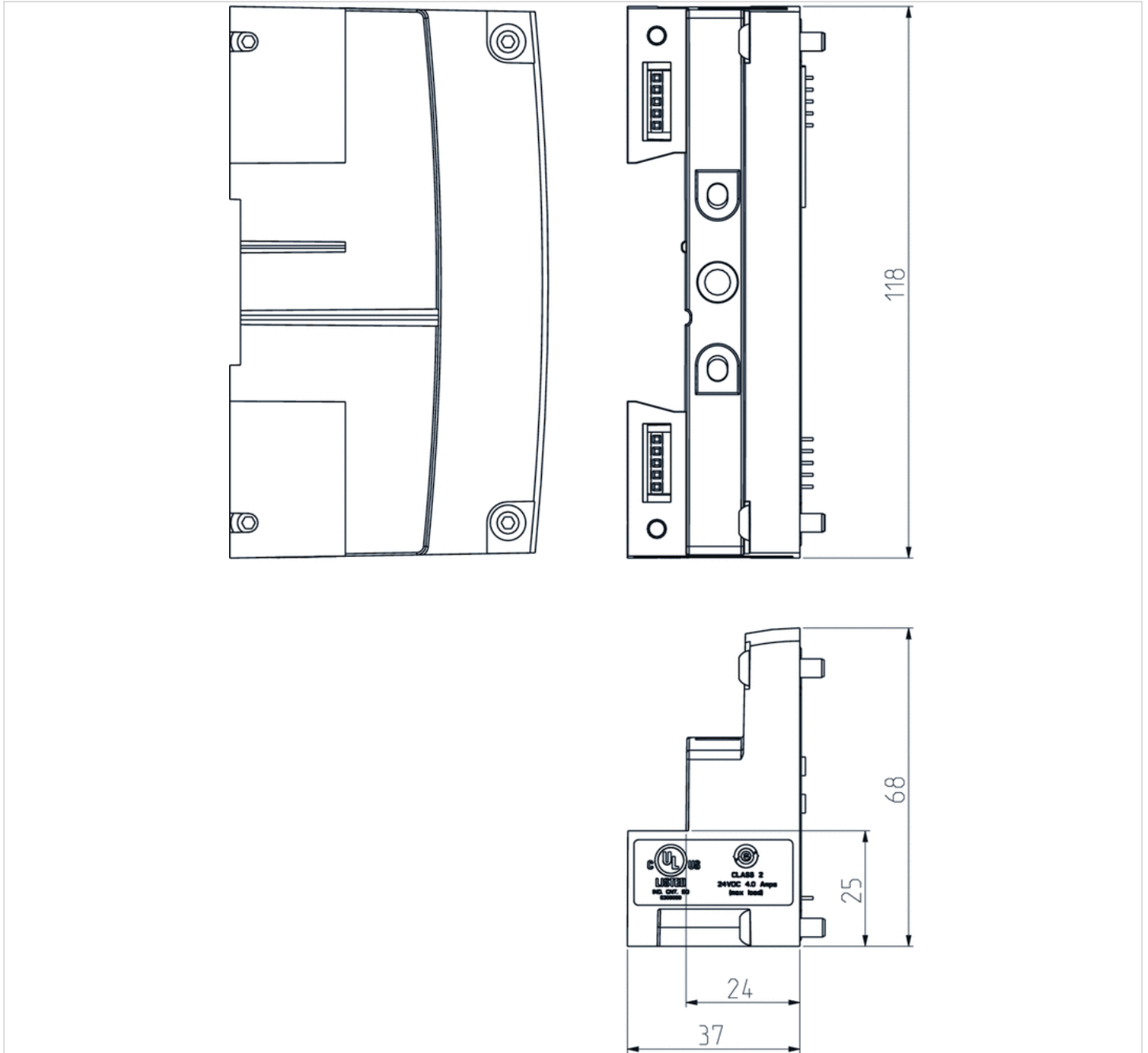
Technical data

| Part No. | power supply |
|-----------------|--------------|
| P599AE508827001 | 4 |

Technical information

| Material | |
|----------|---------------------------|
| Housing | polyethyleneterephthalate |

Dimensions



Distributor

- Power supply plug 7/8", 4-pin



| | |
|---------------------------------|---------------|
| Ambient temperature min./max. | -10 ... 50 °C |
| Operational voltage electronics | 24 V DC |
| Electronics voltage tolerance | -10% / +10% |
| Power consumption electronics | 0.03 A |
| Operating voltage, actuators | 24 V DC |
| Total current for actuators | 4 A |
| Protection class | IP65 |
| Number of valve positions max. | 32 |
| Diagnosis | Undervoltage |
| I/O module extension max. | 15 |
| Weight | 0.235 kg |

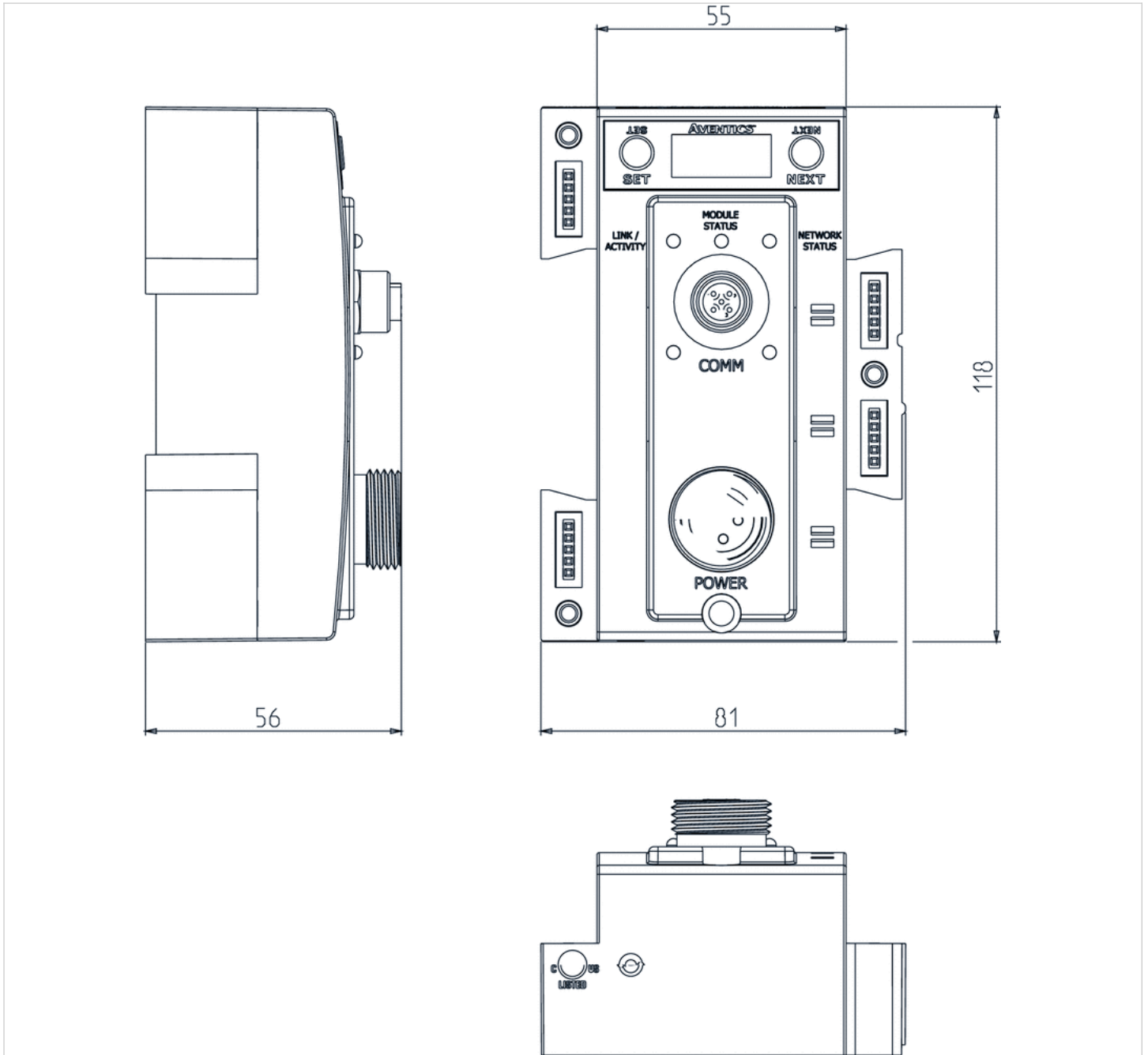
Technical data

| Part No. | power supply |
|----------|-------------------|
| 240-241 | Plug, 7/8", 4-pin |

Technical information

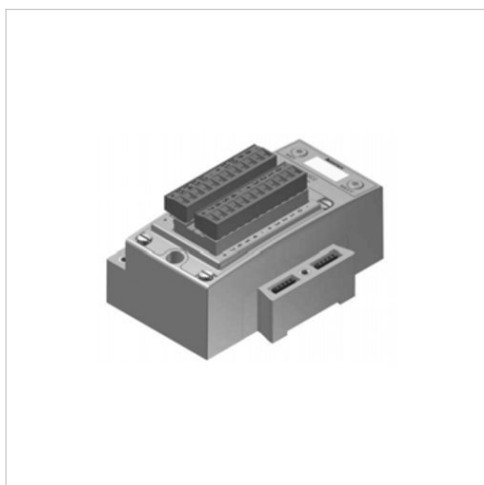
| Material | |
|----------|---------------------------|
| Housing | polyethyleneterephthalate |

Dimensions



I/O modules, Series G3

- Screw terminal block
- I/O module version



| | |
|---------------------------------|--------------------|
| Version | I/O module version |
| Ambient temperature min./max. | -10 ... 50 °C |
| Operational voltage electronics | 24 V DC |
| Electronics voltage tolerance | -10% / +10% |
| Power consumption electronics | 0.05 A |
| Power supply for actuators | 24 V DC |
| Total current for actuators | 4 A |
| Protection class | IP65 |
| Total current of sensors max. | 1,2 A |
| Diagnosis | Short circuit |
| Weight | 0.274 kg |

Technical data

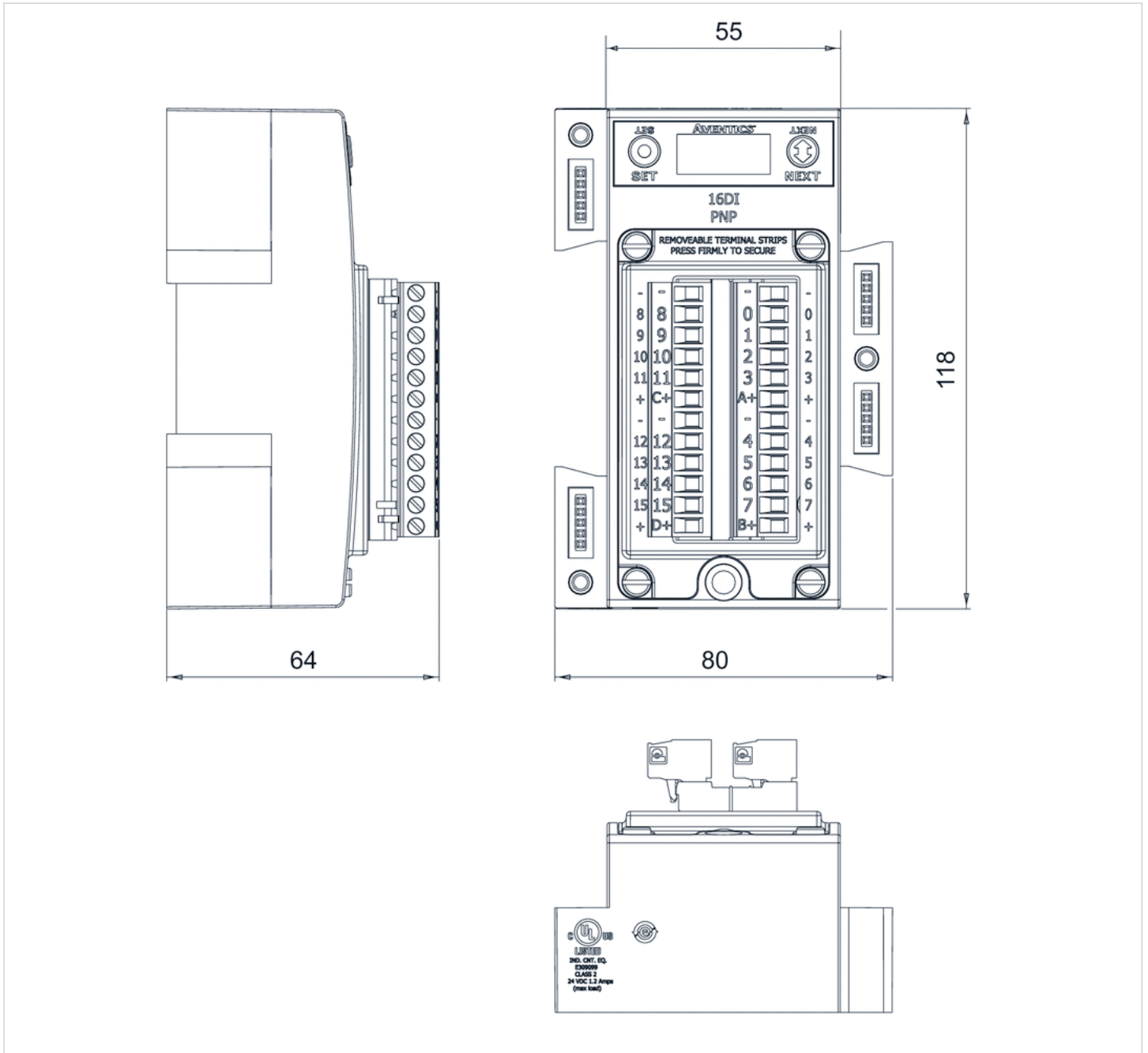
| Part No. | Number of inputs | Number of outputs | I/O module version |
|----------|------------------|-------------------|--------------------|
| 240-203 | 16 | - | digital inputs PNP |
| 240-204 | 16 | - | digital inputs NPN |
| 240-316 | 8 | - | digital inputs PNP |
| 240-330 | - | 16 | digital inputs NPN |

Technical information

| Material | |
|----------|---------------------------|
| Housing | polyethyleneterephthalate |

Dimensions

Dimensions



I/O modules, Series G3

- digital inputs PNP, Socket (female), M8x1
- I/O module version



| | |
|---------------------------------|--------------------|
| Version | I/O module version |
| Ambient temperature min./max. | -10 ... 50 °C |
| Operational voltage electronics | 24 V DC |
| Electronics voltage tolerance | -10% / +10% |
| Power consumption electronics | 55 A |
| Max. current per channel | 0.15 A |
| Power supply for actuators | 24 V DC |
| Total current for actuators | 4 A |
| Protection class | IP65 |
| Total current of sensors max. | 1,2 A |
| Diagnosis | Short circuit |
| Weight | 0.274 kg |

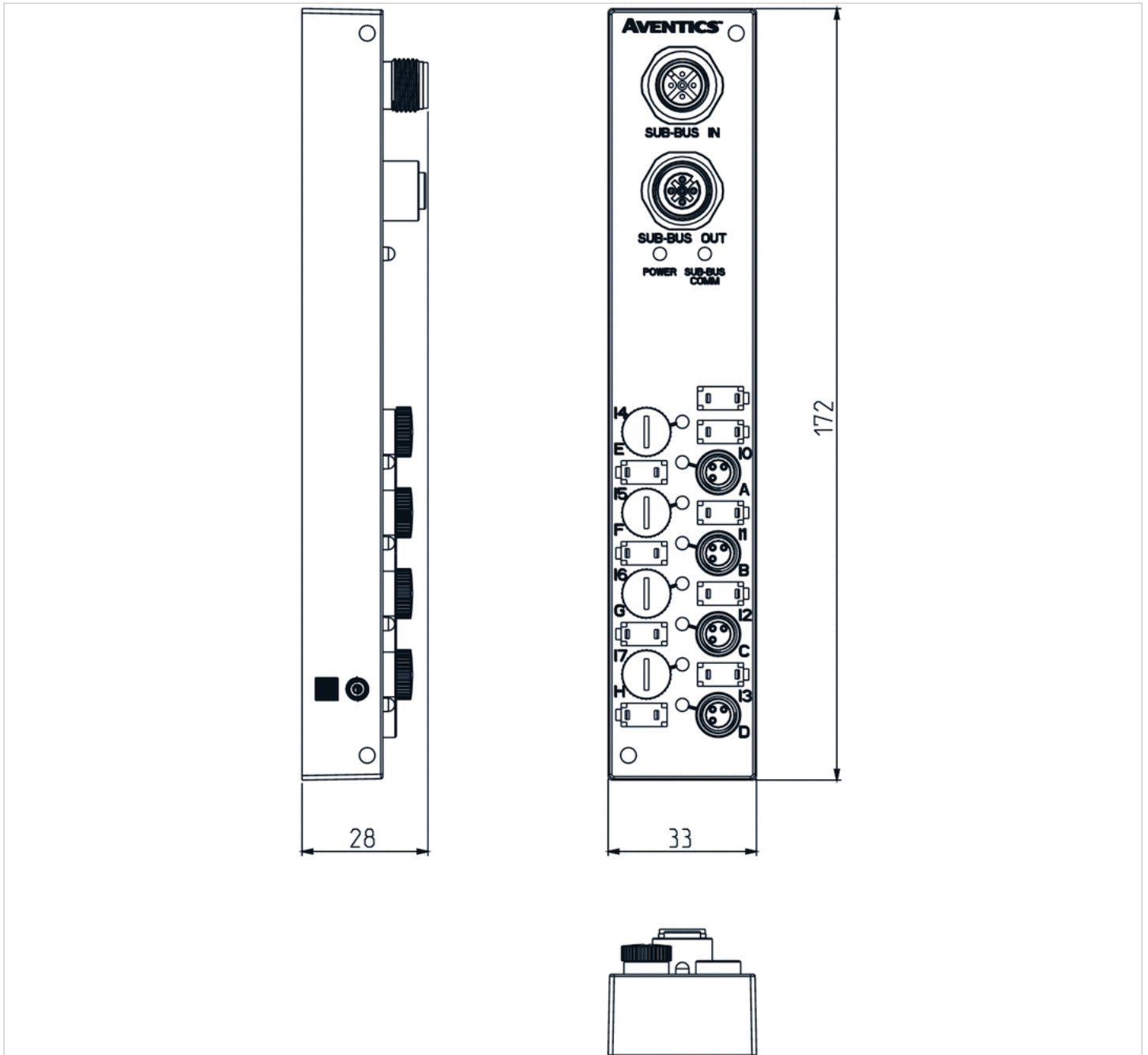
Technical data

| Part No. | Number of inputs | I/O module version |
|----------|------------------|--------------------|
| 240-379 | 8 | digital inputs PNP |

Technical information

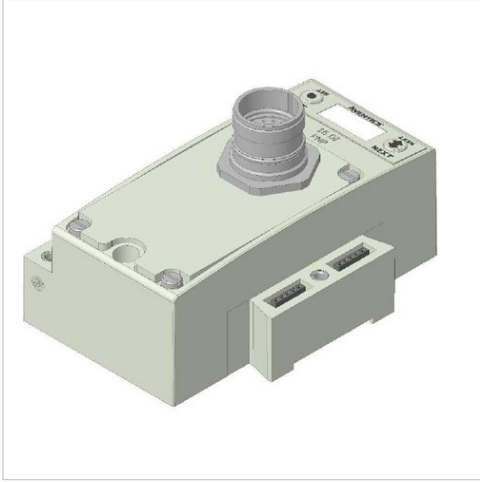
| Material | |
|----------|---------------------------|
| Housing | polyethyleneterephthalate |

Dimensions



I/O modules, Series G3

- Plug, M23x1, 19-pin, Screw terminal block
- A-design
- I/O module version



| | |
|-------------------------------|--------------------|
| Version | I/O module version |
| Ambient temperature min./max. | -10 ... 50 °C |
| Power consumption electronics | 0.05 A |
| Max. current per channel | 0.3 A |
| Power supply for actuators | 24 V DC |
| Total current for actuators | 4 A |
| Protection class | IP65 |
| Total current of sensors max. | 1,2 A |
| Diagnosis | Short circuit |
| Weight | 0.274 kg |

Technical data

| Part No. | Number of inputs | I/O module version |
|----------|------------------|--------------------|
| 240-323 | 16 | digital inputs PNP |

Technical information

| Material | |
|----------|---------------------------|
| Housing | polyethyleneterephthalate |

I/O modules, Series G3

- Socket, M12x1
- A-design
- I/O module version



| | |
|---------------------------------|--------------------|
| Version | I/O module version |
| Ambient temperature min./max. | -10 ... 50 °C |
| Operational voltage electronics | 24 V DC |
| Electronics voltage tolerance | -10% / +10% |
| Max. current per channel | 0.15 A |
| Power supply for actuators | 24 V DC |
| Total current for actuators | 4 A |
| Protection class | IP65 |
| Total current of sensors max. | 1,2 A |
| Diagnosis | Short circuit |
| I/O connection | M12x1, 4-pin |
| Weight | See table below |

Technical data

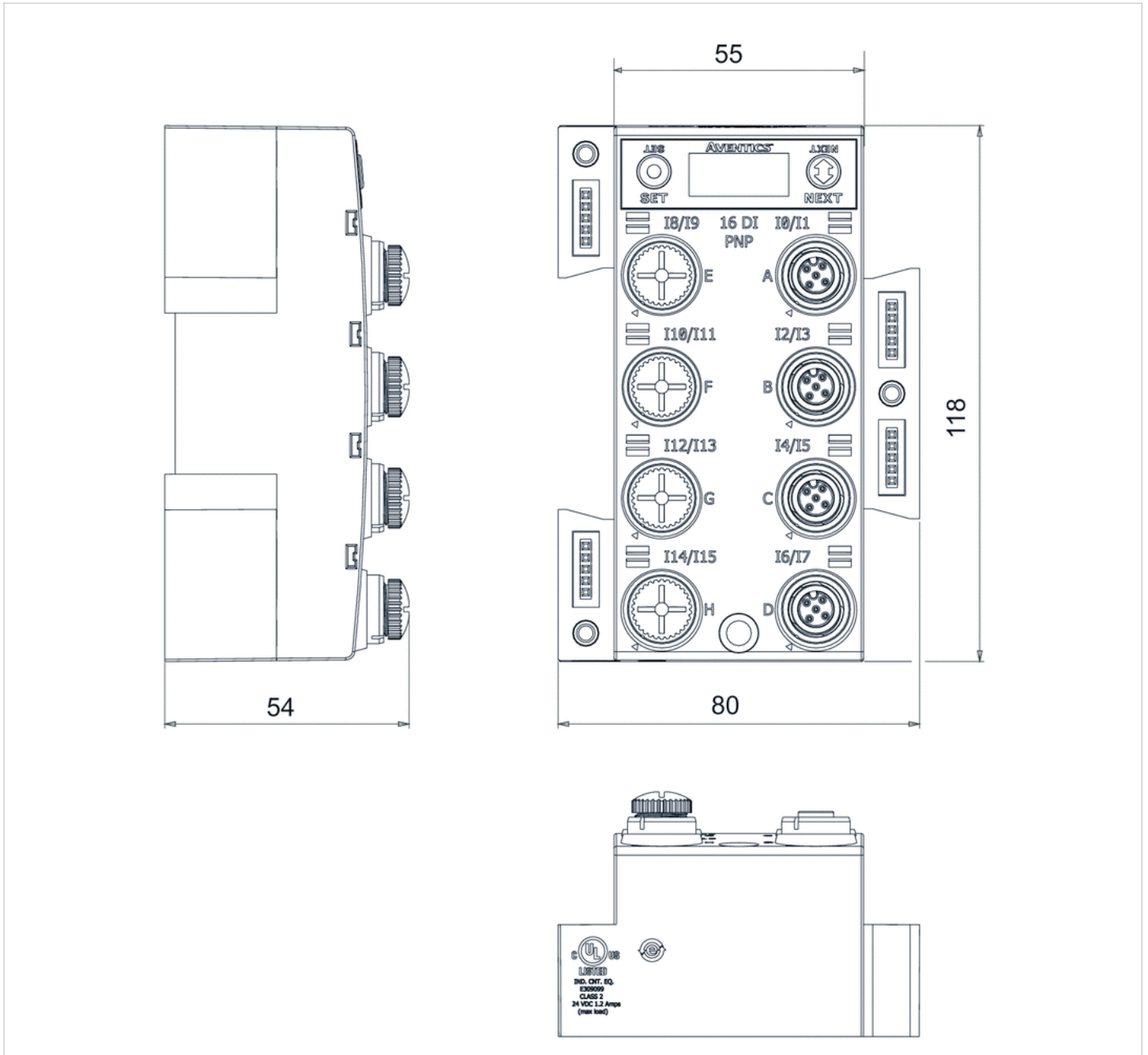
| Part No. | Type | Number of inputs | Number of outputs |
|----------|------------------------------------|------------------|-------------------|
| 240-205 | 16DI8M12 digital inputs PNP | 16 | - |
| 240-206 | 8DI8M8 digital inputs PNP | 8 | - |
| 240-207 | 16DO8M12 digital outputs PNP | - | 16 |
| 240-208 | 8DO8M12 digital outputs PNP | - | 8 |
| 240-209 | 16DI8M12 digital inputs NPN | 16 | - |
| 240-210 | 8DI8M12 digital inputs NPN | 8 | - |
| 240-211 | 8DO8M12 digital inputs/outputs PNP | 8 | 8 |
| 240-300 | 8DO8M12 | - | 8 |

| Part No. | I/O module version | I/O connection | Power consumption electronics | Weight |
|----------|----------------------------|----------------|-------------------------------|----------|
| 240-205 | digital inputs PNP | M12x1, 4-pin | 0.05 A | 0.274 kg |
| 240-206 | digital inputs PNP | M12x1, 4-pin | 0.05 A | 0.274 kg |
| 240-207 | Digital outputs | M12x1, 4-pin | 0.11 A | 0.274 kg |
| 240-208 | digital outputs PNP | M12x1, 4-pin | 0.09 A | 0.274 kg |
| 240-209 | digital inputs NPN | M12x1, 4-pin | 0.05 A | 0.274 kg |
| 240-210 | digital inputs NPN | M12x1, 4-pin | 0.05 A | 0.274 kg |
| 240-211 | digital inputs/outputs PNP | M12x1, 4-pin | 0.1 A | 0.274 kg |
| 240-300 | Digital outputs | M12x1, 4-pin | 0.09 A | 0.264 kg |

Technical information

| Material | |
|----------|---------------------------|
| Housing | polyethyleneterephthalate |

Dimensions



I/O modules, Series G3

- Socket, M12x1

- A-design



| | |
|---------------------------------|-----------------|
| Ambient temperature min./max. | -10 ... 50 °C |
| Operational voltage electronics | 24 V DC |
| Electronics voltage tolerance | -10% / +10% |
| Power supply for actuators | 24 V DC |
| Total current for actuators | 4 A |
| Protection class | IP65 |
| Diagnosis | Short circuit |
| I/O connection | M12x1, 4-pin |
| Weight | See table below |

Technical data

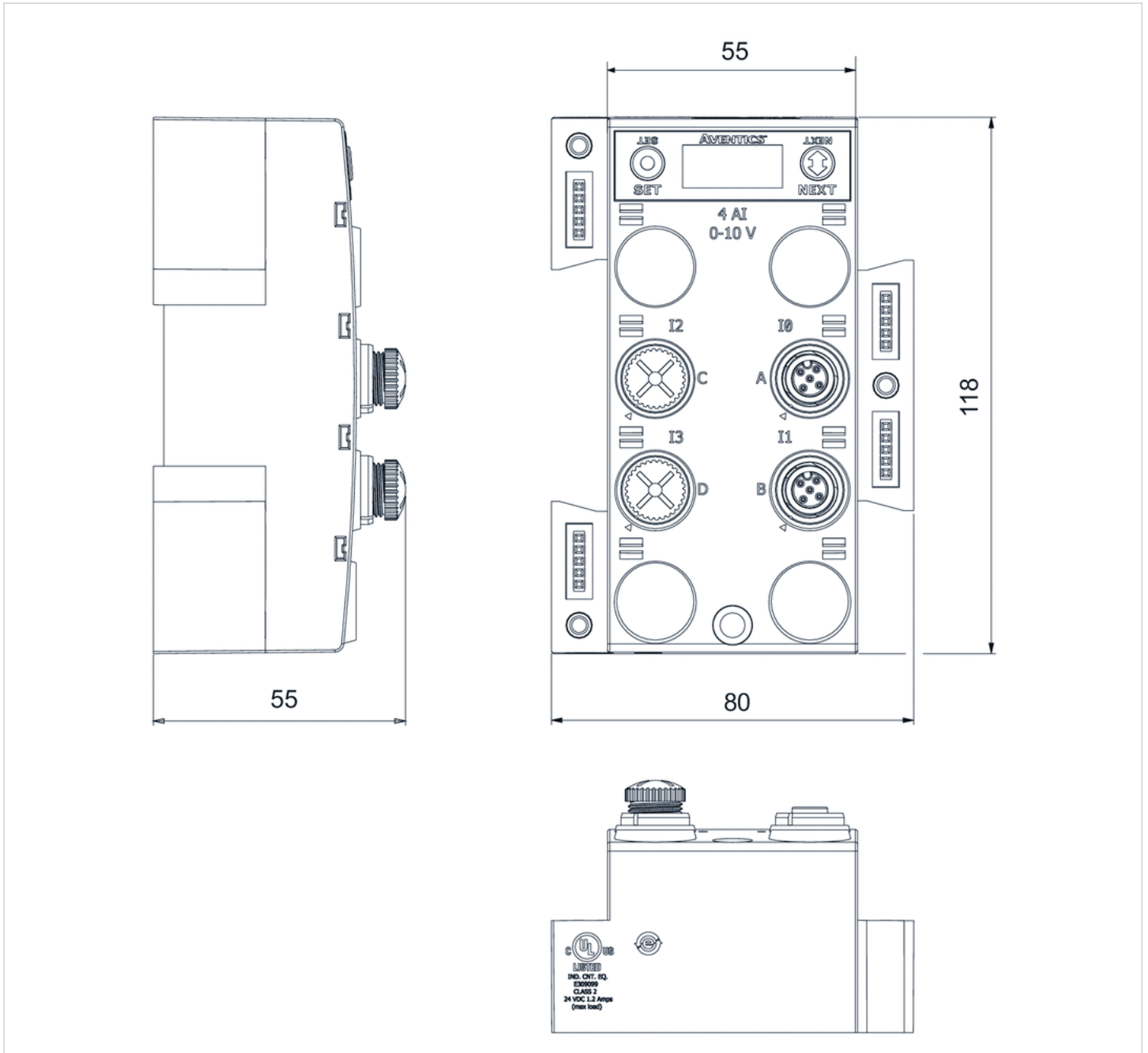
| Part No. | Type | Number of inputs | Number of outputs | Analog inputs | Analog outputs | I/O module version |
|----------|-----------|------------------|-------------------|---------------|----------------|-----------------------|
| 240-212 | 4AI4M12-E | 4 | - | 0 ... 10 V | - | Analog inputs |
| 240-213 | 2AIAO8M12 | 2 | 2 | 0 ... 10 V | 0 ... 10 V | analog inputs/outputs |
| 240-214 | 4AI4M12-E | 4 | - | 4 ... 20 mA | - | Analog inputs |
| 240-215 | 2AIAO4M12 | 2 | 2 | 4 ... 20 mA | 4 ... 20 mA | analog inputs/outputs |
| 240-307 | 2AIAO8M12 | 2 | 2 | 0 ... 10 V | 0 ... 10 V | analog inputs/outputs |
| 240-363 | - | 4 | 4 | - | - | analog inputs/outputs |

| Part No. | I/O connection | Power consumption electronics | Total current of the power supply for the external sensors | Weight |
|----------|----------------|-------------------------------|--|----------|
| 240-212 | M12x1, 4-pin | 0.08 A | 1,2 A | 0.244 kg |
| 240-213 | M12x1, 4-pin | 0.09 A | 1,2 A | 0.244 kg |
| 240-214 | M12x1, 4-pin | 0.08 A | 1,2 A | 0.244 kg |
| 240-215 | M12x1, 4-pin | 0.09 A | 1,2 A | 0.244 kg |
| 240-307 | M12x1, 4-pin | 0.08 A | 4 A | 0.264 kg |
| 240-363 | M12x1, 4-pin | 0.08 A | 8 A | 0.247 kg |

Technical information

| Material | |
|----------|---------------------------|
| Housing | polyethyleneterephthalate |

Dimensions



Series G3

- A-design
- I/O module version



| | |
|---------------------------------|--------------------------|
| Version | I/O module version |
| Ambient temperature min./max. | -10 ... 50 °C |
| Operational voltage electronics | 24 V DC |
| Electronics voltage tolerance | -10% / +10% |
| Power consumption electronics | 0.07 A |
| Power supply for actuators | 24 V DC |
| Total current for actuators | 4 A |
| Protection class | IP65 |
| Total current of sensors max. | 1,2 A |
| Diagnosis | Overvoltage Undervoltage |

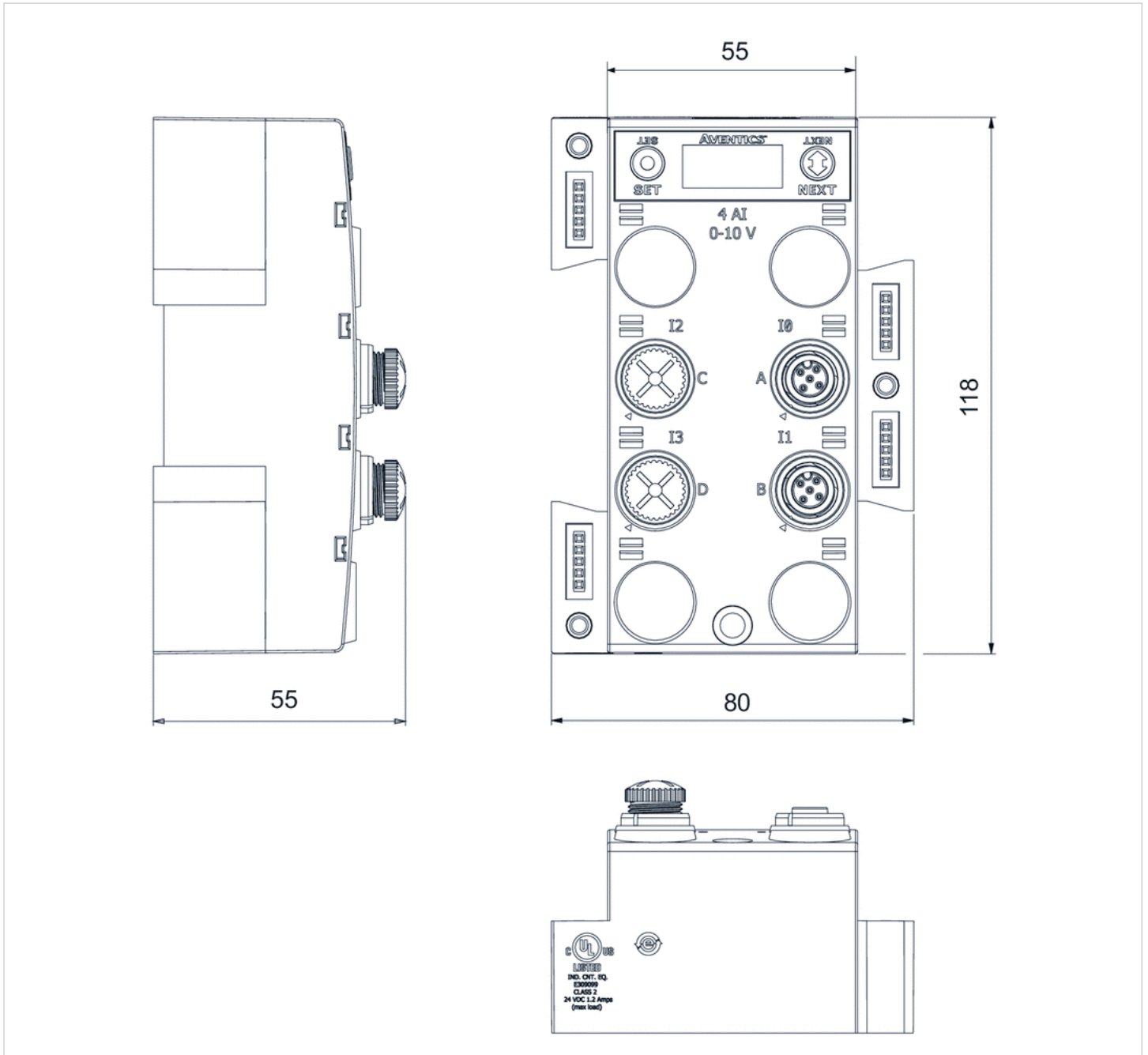
Technical data

| Part No. | Type | I/O module version |
|----------|---------------|--------------------|
| 240-311 | Socket, M12x1 | Analog inputs |

Technical information

| Material | |
|----------|---------------------------|
| Housing | polyethyleneterephthalate |

Dimensions



I/O modules, Series G3

- digital inputs PNP, Socket (female), M8x1

- I/O module version



| | |
|-------------------------------|--------------------|
| Version | I/O module version |
| Ambient temperature min./max. | -10 ... 50 °C |
| Power consumption electronics | 55 A |
| Max. current per channel | 0.15 A |
| Power supply for actuators | 24 V DC |
| Total current for actuators | 4 A |
| Protection class | IP65 |
| Total current of sensors max. | 1,2 A |
| Diagnosis | Short circuit |
| Weight | 0.274 kg |

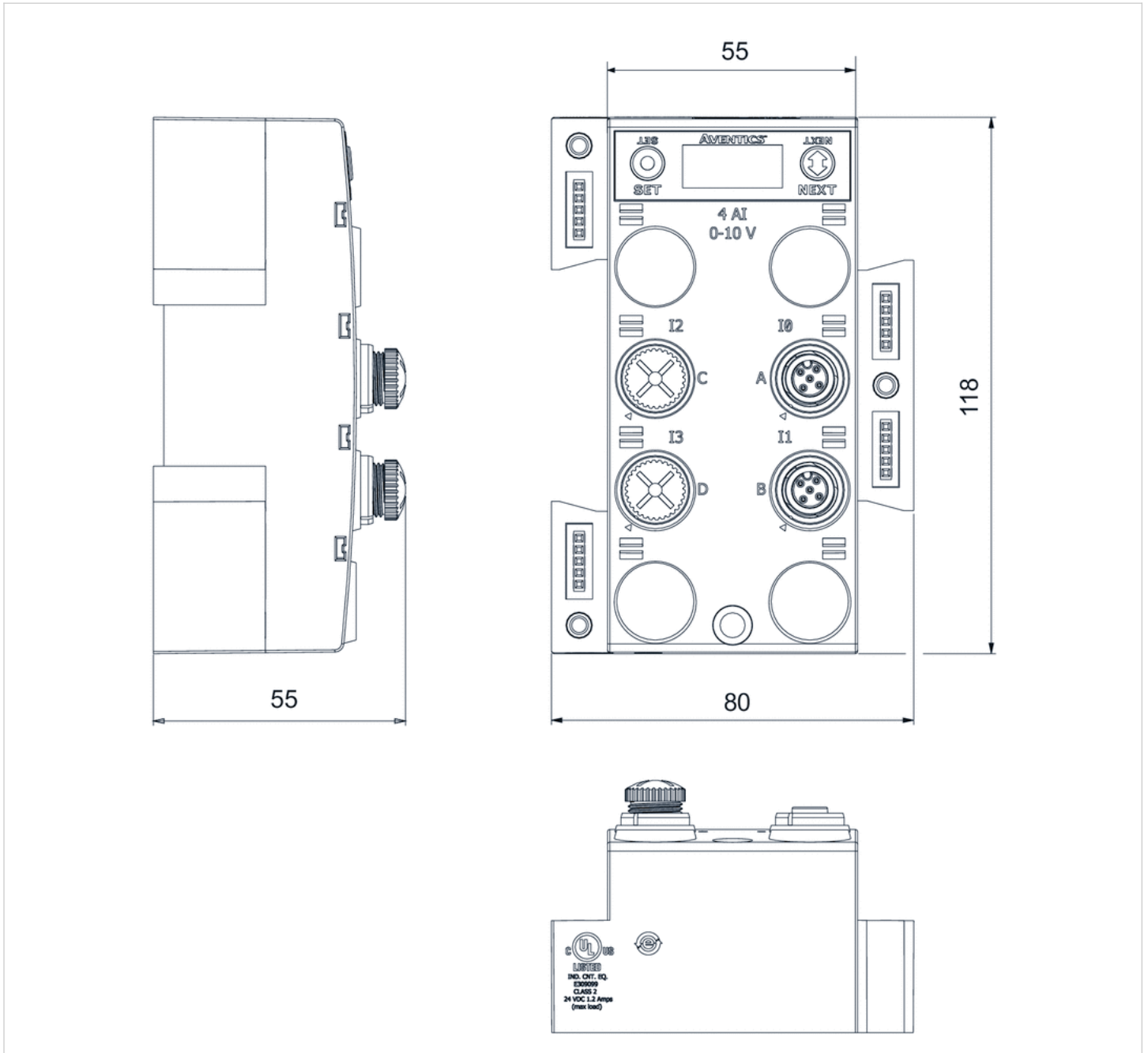
Technical data

| Part No. | Number of inputs |
|----------|------------------|
| 240-326 | 8 |

Technical information

| Material | |
|----------|---------------------------|
| Housing | Polybutyleneterephthalate |

Dimensions



Bus coupler, Series 580

- CANopen, Central fieldbus connection without I/O function, Power supply plug M12x1, 4-pin
- Bus coupler
- Fieldbus protocol CANopen



| | |
|---------------------------------|---------------------------|
| Version | Bus coupler |
| Ambient temperature min./max. | -10 ... 50 °C |
| Operational voltage electronics | 24 V DC |
| Electronics voltage tolerance | -10% / +10% |
| Power consumption electronics | 0.1 A |
| Operating voltage, actuators | 24 V DC |
| Total current for actuators | 4 A |
| Protection class | IP65 |
| Number of solenoid coils max. | 32 |
| Number of valve positions max. | 32 |
| Diagnosis | Short circuit Overvoltage |
| Weight | 0.32 kg |

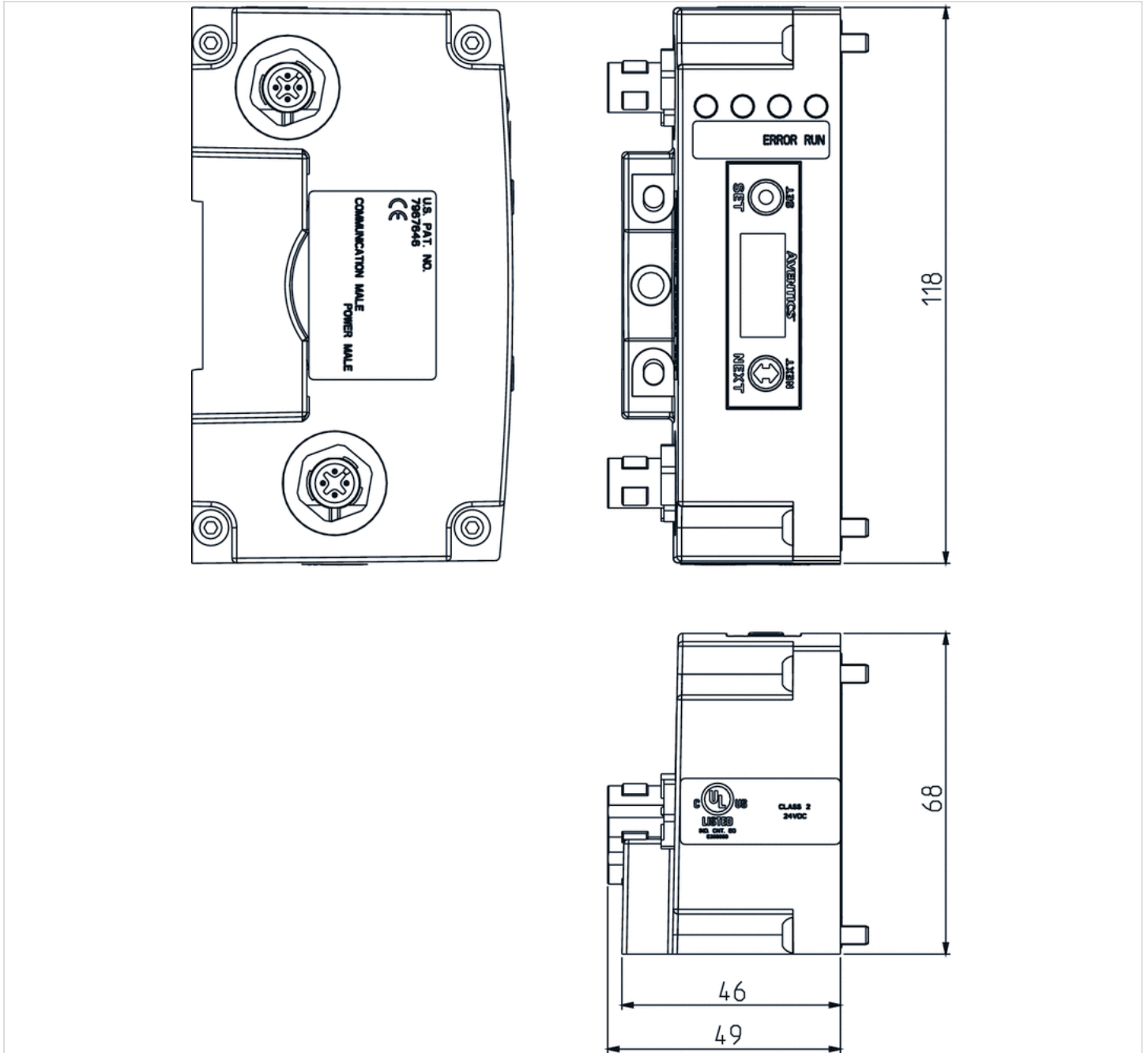
Technical data

| Part No. | Fieldbus protocol | power supply |
|-----------------|-------------------|----------------------------------|
| P580AECO1010A00 | CANopen | Plug (male), M12, 4-pin, A-coded |

Technical information

| Material | |
|----------|-------------------|
| Housing | Die-cast aluminum |

Dimensions



Series 580

- Central fieldbus connection without I/O function
- Fieldbus protocol DeviceNet



| | |
|---------------------------------|---------------------------|
| Ambient temperature min./max. | -10 ... 50 °C |
| Operational voltage electronics | 24 V DC |
| Electronics voltage tolerance | -10% / +10% |
| Power consumption electronics | 0.1 A |
| Operating voltage, actuators | 24 V DC |
| Total current for actuators | 4 A |
| Protection class | IP65 |
| Number of solenoid coils max. | 32 |
| Number of valve positions max. | 32 |
| Diagnosis | Short circuit Overvoltage |
| Weight | 0.32 kg |

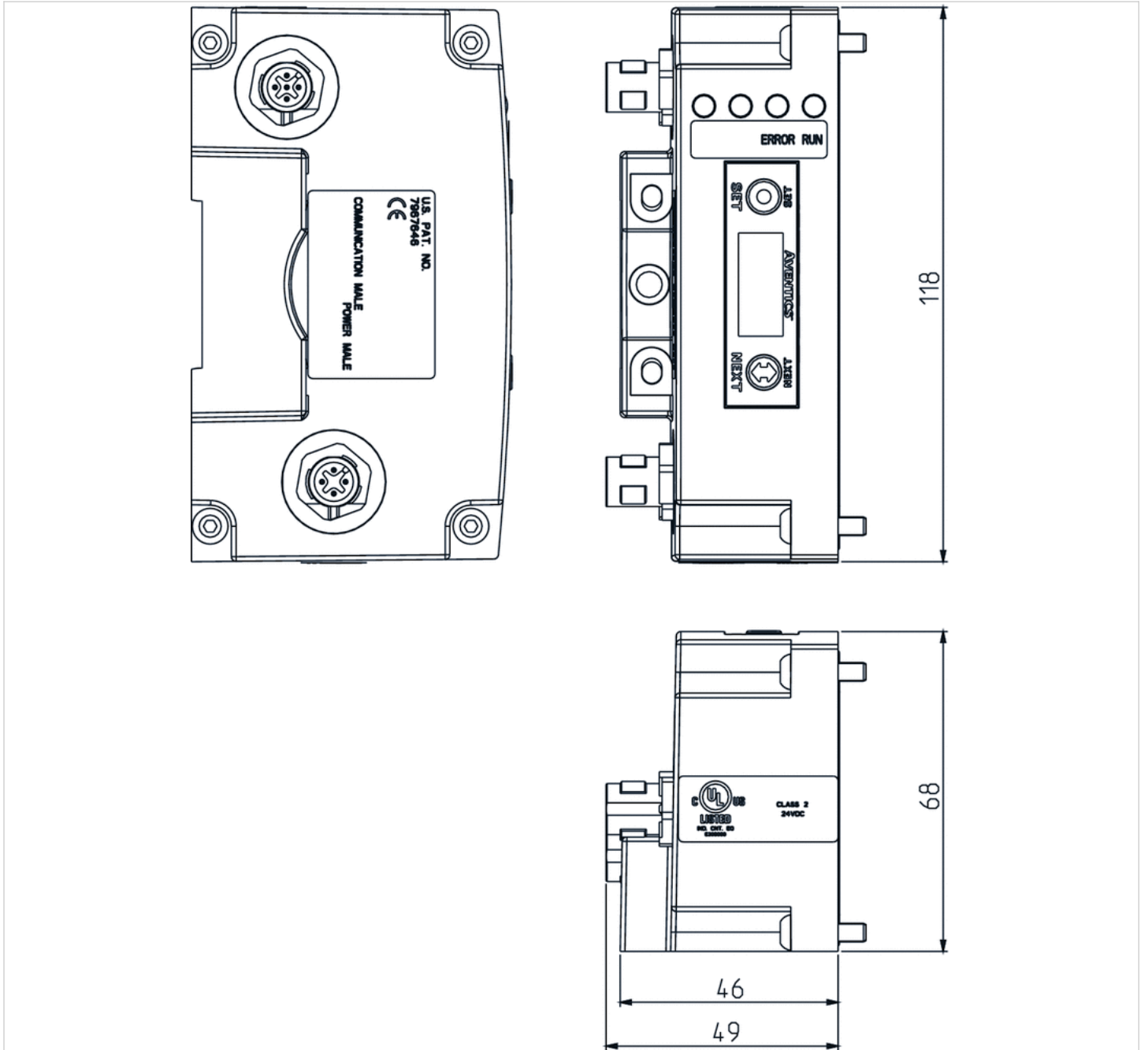
Technical data

| Part No. | Fieldbus protocol | power supply |
|-----------------|-------------------|----------------------------------|
| P580AEDN1010A00 | DeviceNet | Plug (male), M12, 4-pin, A-coded |

Technical information

| Material | |
|----------|-------------------|
| Housing | Die-cast aluminum |

Dimensions



Series 580

- Central fieldbus connection without I/O function
- Fieldbus protocol EtherCAT



| | |
|---------------------------------|---------------------------|
| Ambient temperature min./max. | -10 ... 50 °C |
| Operational voltage electronics | 24 V DC |
| Electronics voltage tolerance | -10% / +10% |
| Power consumption electronics | 0.11 A |
| Operating voltage, actuators | 24 V DC |
| Total current for actuators | 4 A |
| Protection class | IP65 |
| Number of solenoid coils max. | 128 |
| Number of valve positions max. | 110 |
| Diagnosis | Short circuit Overvoltage |
| Weight | 0.32 kg |

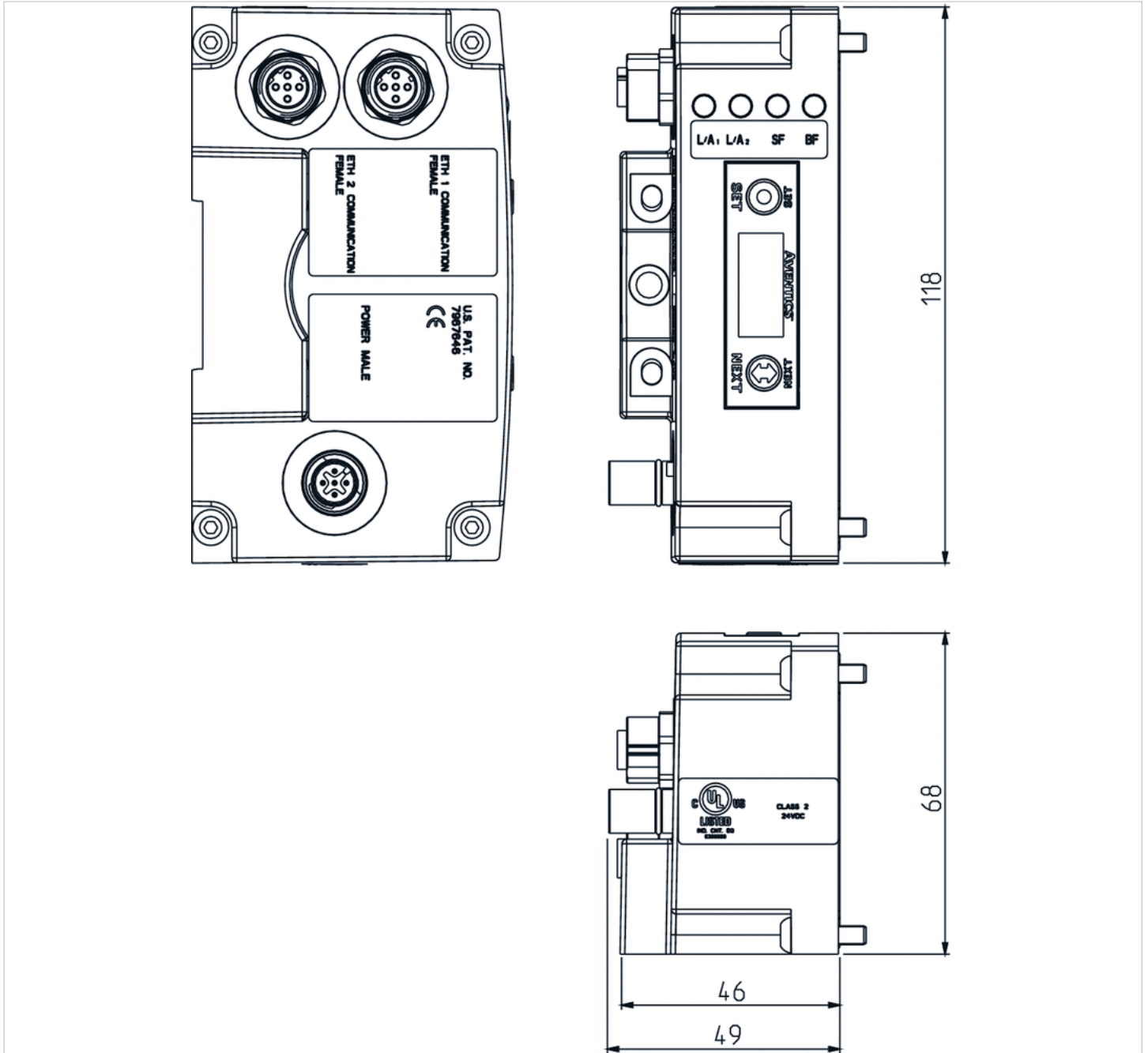
Technical data

| Part No. | Fieldbus protocol | power supply |
|-----------------|-------------------|----------------------------------|
| P580AEEC1010A00 | EtherCAT | Plug (male), M12, 5-pin, A-coded |

Technical information

| Material | |
|----------|-------------------|
| Housing | Die-cast aluminum |

Dimensions



Series 580

- Central fieldbus connection without I/O function
- Fieldbus protocol Ethernet



| | |
|---------------------------------|---------------------------|
| Ambient temperature min./max. | -10 ... 50 °C |
| Operational voltage electronics | 24 V DC |
| Electronics voltage tolerance | -10% / +10% |
| Power consumption electronics | 0.9 A |
| Operating voltage, actuators | 24 V DC |
| Total current for actuators | 4 A |
| Protection class | IP65 |
| Number of solenoid coils max. | 128 |
| Number of valve positions max. | 110 |
| Diagnosis | Short circuit Overvoltage |
| Weight | 0.337 kg |

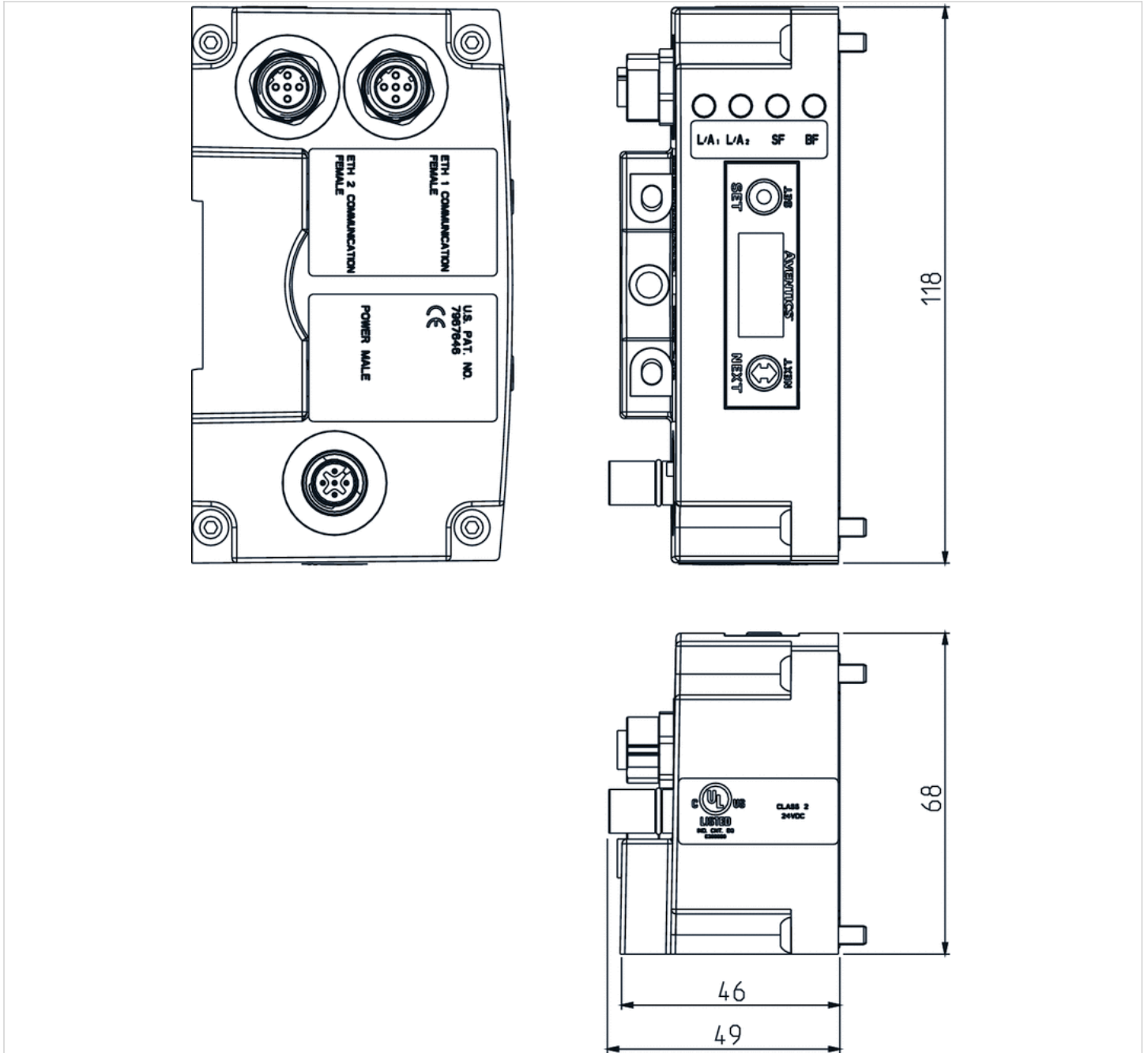
Technical data

| Part No. | Fieldbus protocol | power supply |
|-----------------|-------------------|----------------------------------|
| P580AEED1010A00 | Ethernet | Plug (male), M12, 4-pin, A-coded |

Technical information

| Material | |
|----------|-------------------|
| Housing | Die-cast aluminum |

Dimensions



Series 580

- Central fieldbus connection without I/O function
- Fieldbus protocol POWERLINK



| | |
|---------------------------------|---------------------------|
| Ambient temperature min./max. | -10 ... 50 °C |
| Operational voltage electronics | 24 V DC |
| Electronics voltage tolerance | -10% / +10% |
| Power consumption electronics | 0.11 A |
| Operating voltage, actuators | 24 V DC |
| Total current for actuators | 4 A |
| Protection class | IP65 |
| Number of solenoid coils max. | 128 |
| Number of valve positions max. | 110 |
| Diagnosis | Short circuit Overvoltage |
| Weight | 0.328 kg |

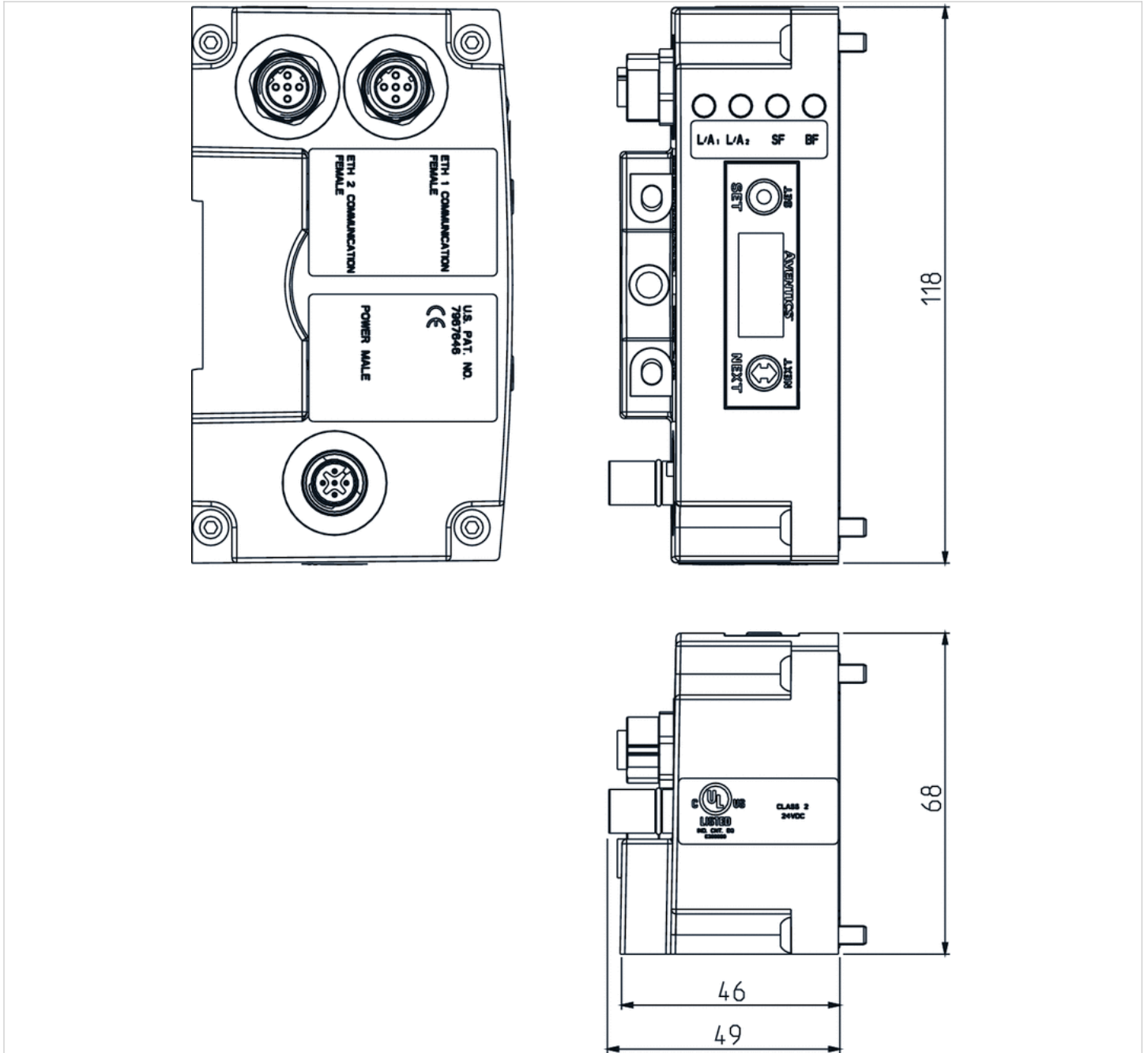
Technical data

| Part No. | Fieldbus protocol | power supply |
|-----------------|-------------------|----------------------------------|
| P580AEPL1010A00 | POWERLINK | Plug (male), M12, 4-pin, A-coded |

Technical information

| Material | |
|----------|-------------------|
| Housing | Die-cast aluminum |

Dimensions



Series 580

- Central fieldbus connection without I/O function, Power supply plug M12x1, 5-pin, class B
- Fieldbus protocol PROFIBUS DP



| | |
|---------------------------------|---------------------------|
| Ambient temperature min./max. | -10 ... 50 °C |
| Operational voltage electronics | 24 V DC |
| Electronics voltage tolerance | -10% / +10% |
| Power consumption electronics | 0.08 A |
| Operating voltage, actuators | 24 V DC |
| Total current for actuators | 4 A |
| Protection class | IP65 |
| Number of solenoid coils max. | 128 |
| Number of valve positions max. | 110 |
| Diagnosis | Short circuit Overvoltage |
| Weight | 0.326 kg |

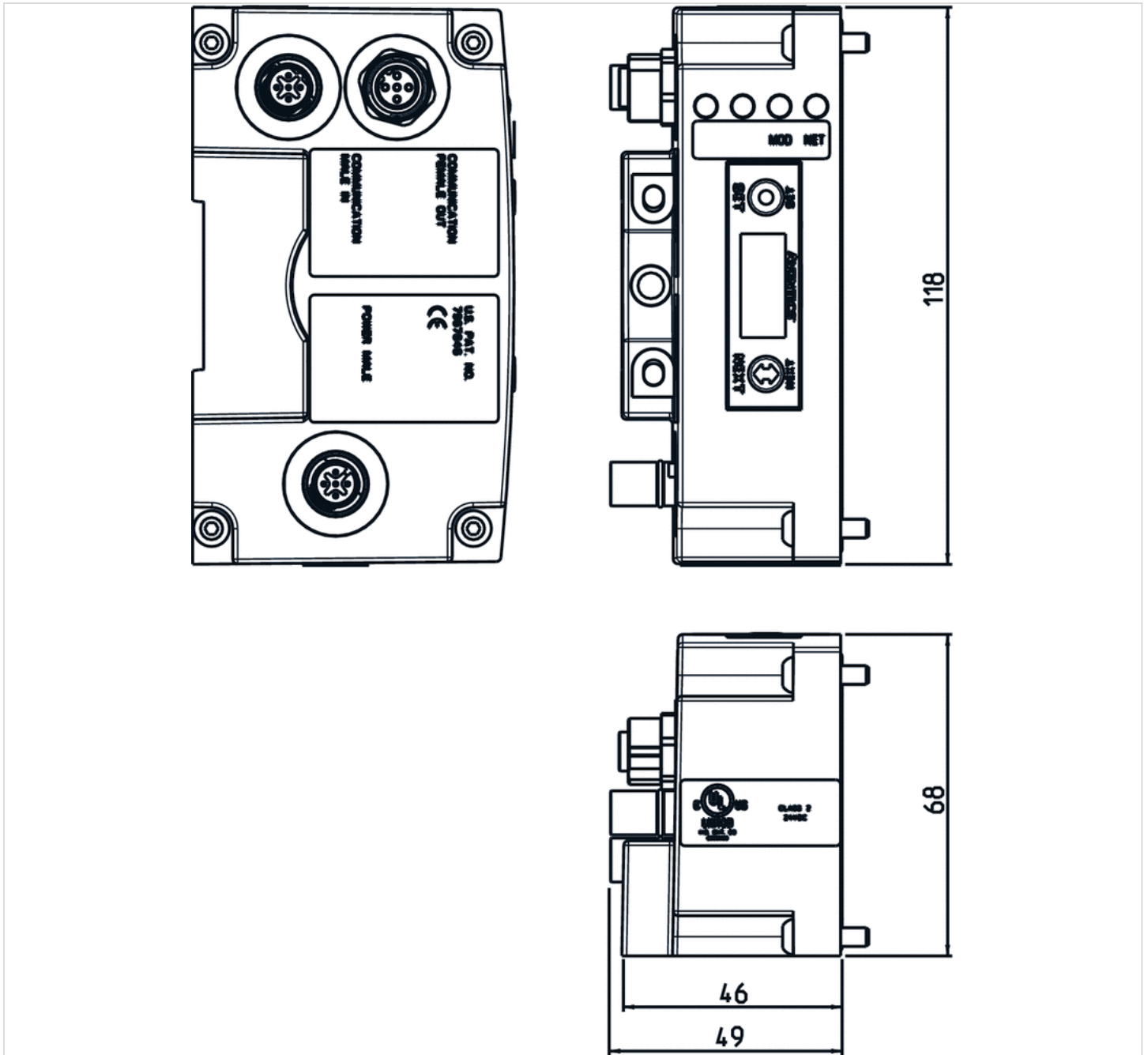
Technical data

| Part No. | Fieldbus protocol | power supply |
|-----------------|-------------------|----------------------------------|
| P580AEPT1010A00 | PROFIBUS DP | Plug (male), M12, 5-pin, A-coded |

Technical information

| Material | |
|----------|-------------------|
| Housing | Die-cast aluminum |

Dimensions



Series 580

- Central fieldbus connection without I/O function
- Fieldbus protocol Profinet



| | |
|---------------------------------|---------------------------|
| Ambient temperature min./max. | -10 ... 50 °C |
| Operational voltage electronics | 24 V DC |
| Electronics voltage tolerance | -10% / +10% |
| Power consumption electronics | 0.11 A |
| Operating voltage, actuators | 24 V DC |
| Total current for actuators | 4 A |
| Protection class | IP65 |
| Number of solenoid coils max. | 128 |
| Number of valve positions max. | 110 |
| Diagnosis | Short circuit Overvoltage |
| Weight | 0.335 kg |

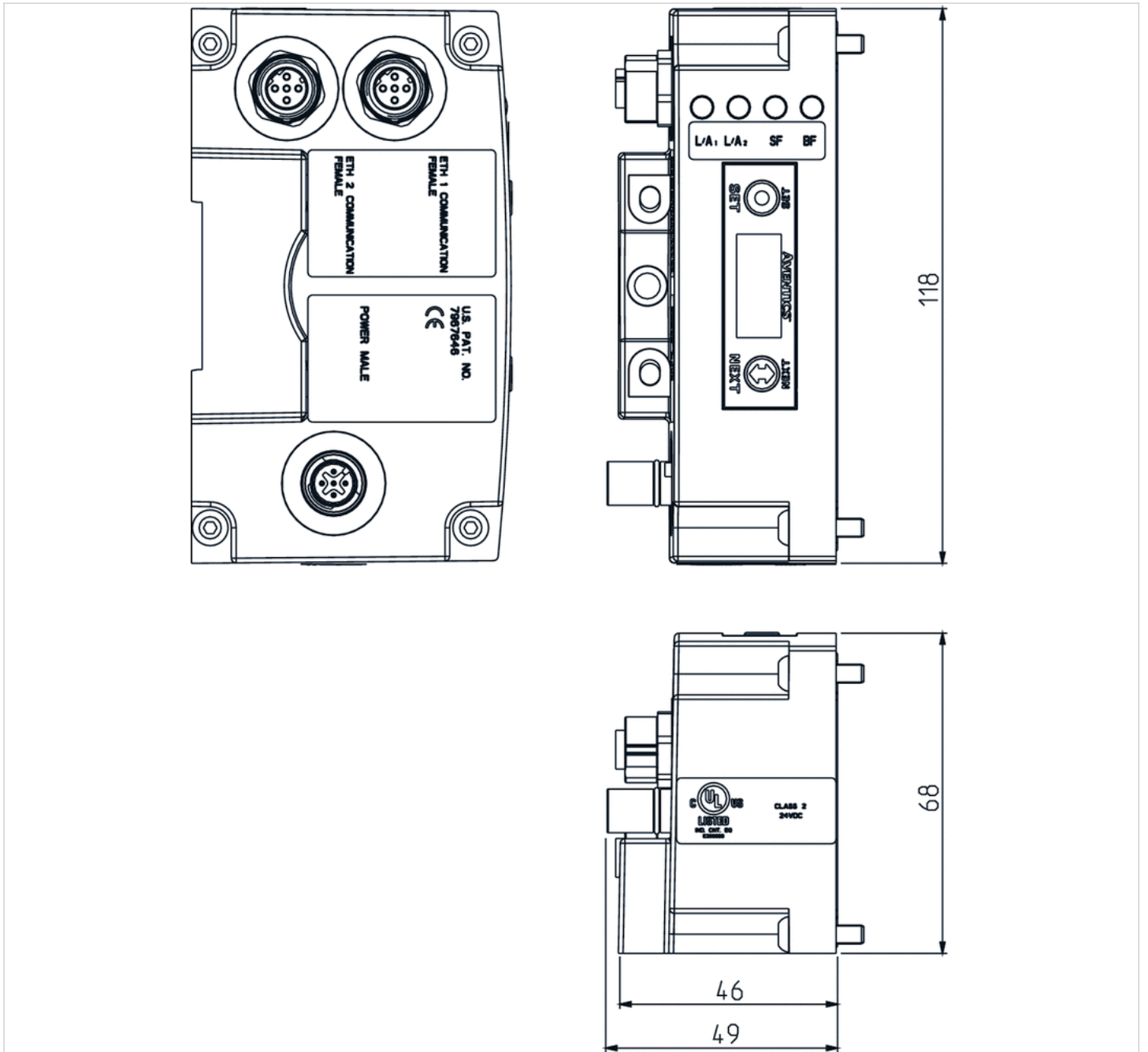
Technical data

| Part No. | Fieldbus protocol | power supply |
|-----------------|-------------------|----------------------------------|
| P580AEPN1010A00 | Profinet | Plug (male), M12, 5-pin, A-coded |

Technical information

| Material | |
|----------|-------------------|
| Housing | Die-cast aluminum |

Dimensions



Bus coupler, Series 580

- Central fieldbus connection without I/O function, Power supply plug M12x1, 5-pin
- Bus coupler
- Fieldbus protocol Profinet



| | |
|---------------------------------|---------------------------|
| Version | Bus coupler |
| Ambient temperature min./max. | -10 ... 50 °C |
| Operational voltage electronics | 24 V DC |
| Electronics voltage tolerance | -10% / +10% |
| Power consumption electronics | 0.3 A |
| Operating voltage, actuators | 24 V DC |
| Total current for actuators | 4 A |
| Protection class | IP65 |
| Number of valve positions max. | 43 |
| Diagnosis | Short circuit Overvoltage |
| Weight | 0.32 kg |

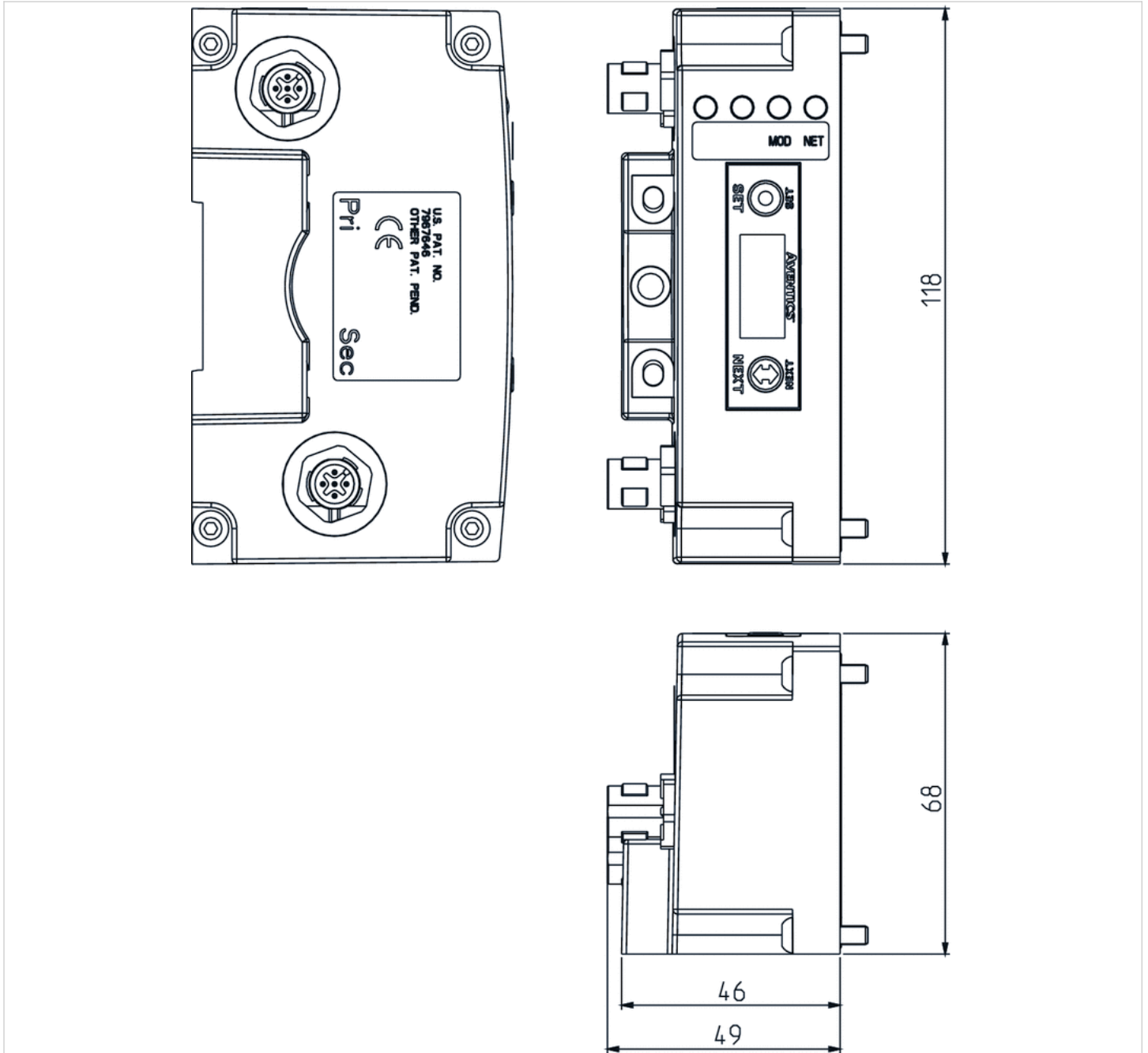
Technical data

| Part No. | Fieldbus protocol | power supply |
|-----------------|-------------------|-----------------------------|
| P580AECH2010A00 | Profinet | Plug, M12x1, 5-pin, A-coded |

Technical information

| Material | |
|----------|-------------------|
| Housing | Die-cast aluminum |

Dimensions



Series 580

- Central fieldbus connection without I/O function, Power supply plug M12x1, 4-pin
- Bus coupler
- Fieldbus protocol IO-Link



| | |
|---------------------------------|---------------------------|
| Version | Bus coupler |
| Ambient temperature min./max. | -10 ... 50 °C |
| Operational voltage electronics | 24 V DC |
| Electronics voltage tolerance | -10% / +10% |
| Power consumption electronics | 0.04 A |
| Operating voltage, actuators | 24 V DC |
| Total current for actuators | 4 A |
| Protection class | IP65 |
| Number of solenoid coils max. | 32 |
| Number of valve positions max. | 32 |
| Diagnosis | Short circuit Overvoltage |
| I/O connection | M12x1, 5-pin, A-coded |
| Weight | See table below |

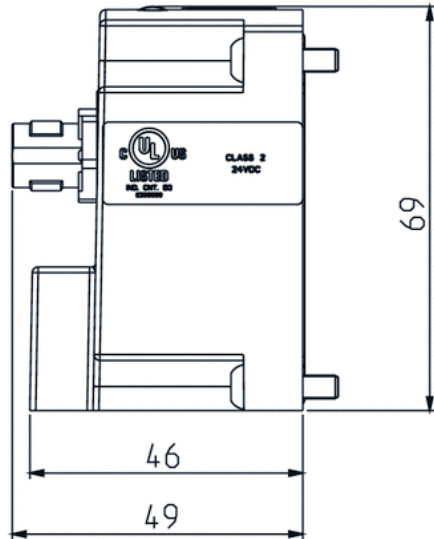
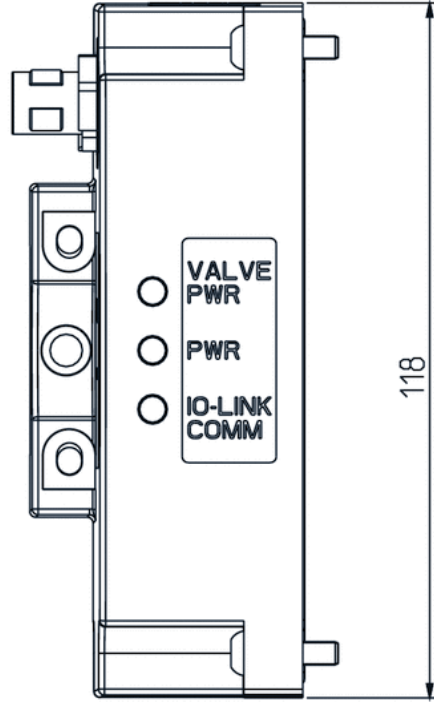
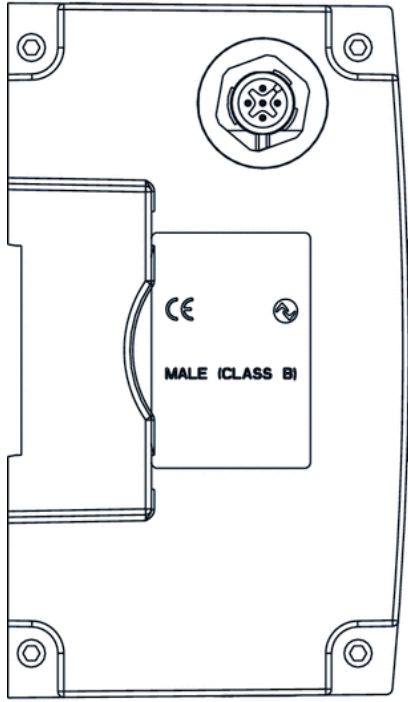
Technical data

| Part No. | Fieldbus protocol | I/O connection | Weight |
|-----------------|-------------------|-----------------------|----------|
| P580AELM1010A00 | IO-Link | M12x1, 5-pin, A-coded | 0.298 kg |
| P580AELM2010A00 | IO-Link | M12x1, 5-pin, A-coded | 0.303 kg |

Technical information

| Material | |
|----------|-------------------|
| Housing | Die-cast aluminum |

Dimensions



Stop plate according to ISO 15407-2 to exchange valve, series 503



| | |
|--------------------------------|------------------|
| Working pressure min./max. | -0.95 ... 10 bar |
| Ambient temperature min./max. | -10 ... 50 °C |
| Medium temperature min./max. | -10 ... 50 °C |
| Medium | Compressed air |
| Number of valve positions max. | 1 |
| Weight | See table below |

Technical data

| Part No. | Type | Scope of delivery | Weight |
|-----------------|----------|--|----------|
| R503AY426707001 | - | Sandwich plate, sealing kit, mounting screws | 0.237 kg |
| R503AY426707003 | lockable | Sandwich plate, sealing kit, mounting screws | 0.352 kg |

Delivery includes sealing kit and 1x mounting screw

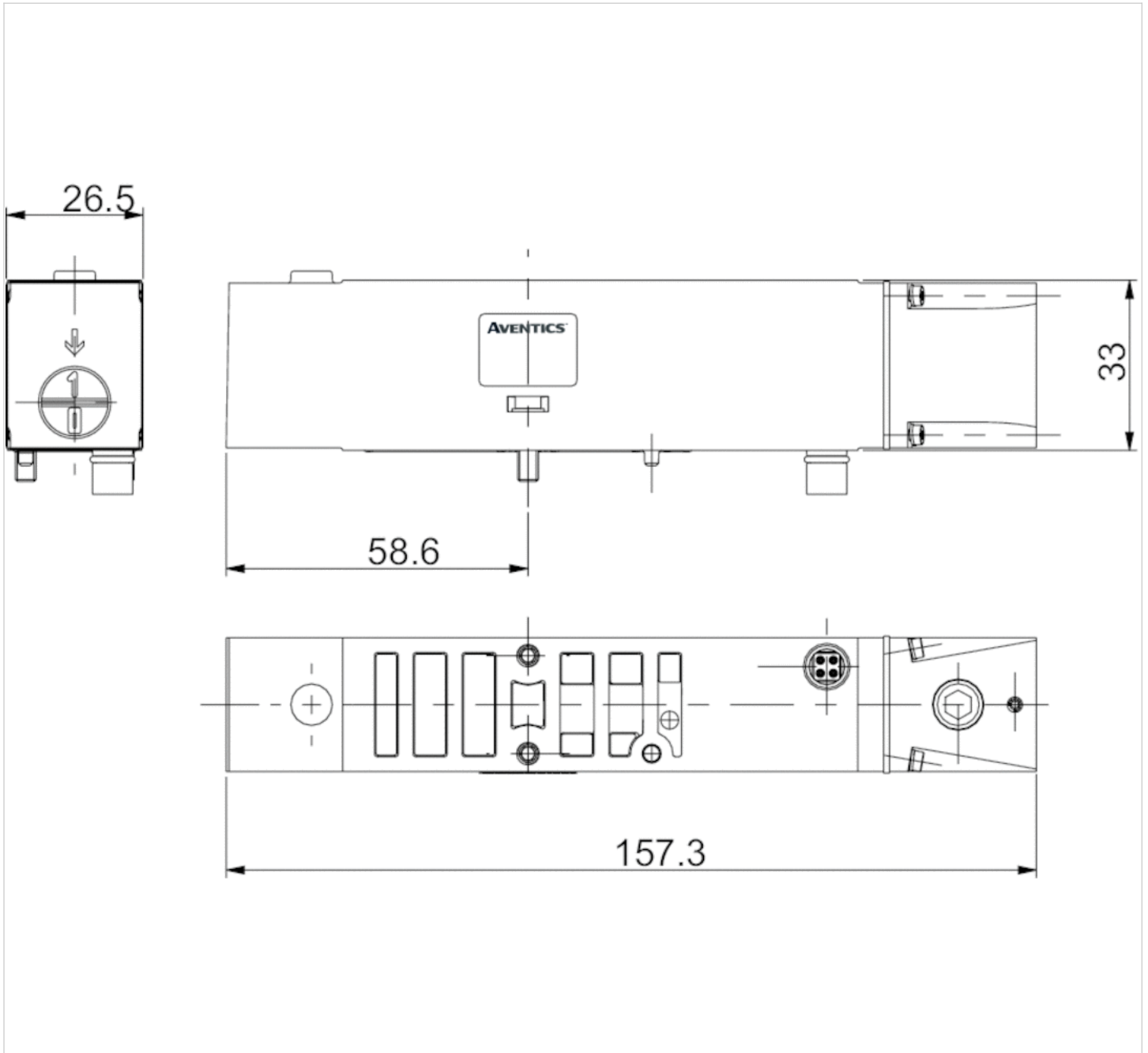
Technical information

The min. control pressure must be adhered to, since otherwise faulty switching and valve failure may result!
 The pressure dew point must be at least 15 °C under ambient and medium temperature and may not exceed 3 °C .
 The oil content of compressed air must remain constant during the life cycle.
 Use only the approved oils from AVENTICS. Further information can be found in the "Technical information" document (available in the MediaCentre).

Technical information

| Material | |
|----------|--------------------------------|
| Housing | Die-cast aluminum |
| Seal | Acrylonitrile butadiene rubber |
| Screws | Stainless steel |

Dimensions



Stop plate to exchange valve, series 503



| | |
|--------------------------------|------------------|
| Working pressure min./max. | -0.95 ... 10 bar |
| Ambient temperature min./max. | -10 ... 50 °C |
| Medium temperature min./max. | -10 ... 50 °C |
| Medium | Compressed air |
| Number of valve positions max. | 1 |
| Protection class | IP65 |
| Weight | 0.237 kg |

Technical data

| Part No. | Scope of delivery |
|-----------------|--|
| R503AY426707002 | Sandwich plate, sealing kit, mounting screws |

Delivery includes sealing kit and 1x mounting screw

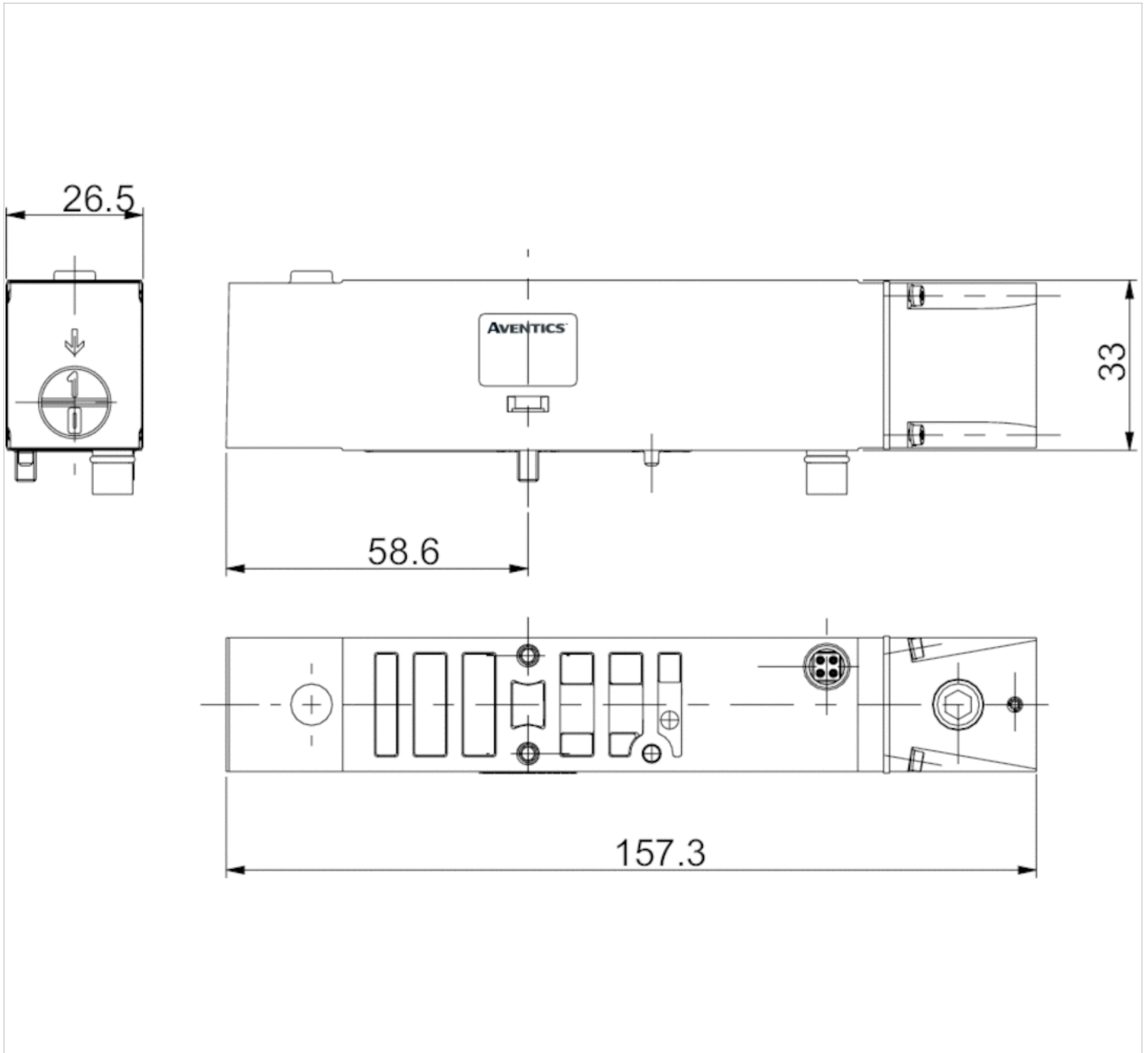
Technical information

The min. control pressure must be adhered to, since otherwise faulty switching and valve failure may result!
 The pressure dew point must be at least 15 °C under ambient and medium temperature and may not exceed 3 °C .
 The oil content of compressed air must remain constant during the life cycle.
 Use only the approved oils from AVENTICS. Further information can be found in the "Technical information" document (available in the MediaCentre).

Technical information

| Material | |
|----------|--------------------------------|
| Housing | Die-cast aluminum |
| Seal | Acrylonitrile butadiene rubber |
| Screws | Stainless steel |

Dimensions



Blanking plate, series 503



| | |
|--------------------------------|------------------|
| Working pressure min./max. | -0.95 ... 10 bar |
| Ambient temperature min./max. | -10 ... 50 °C |
| Medium temperature min./max. | -10 ... 50 °C |
| Medium | Compressed air |
| Number of valve positions max. | 1 |
| Protection class | IP65 |
| Weight | 0.084 kg |

Technical data

| Part No. | Scope of delivery |
|-----------------|--|
| P503AB428359001 | Stop plate, sealing kit, mounting screws |

Delivery includes sealing kit and 1x mounting screw

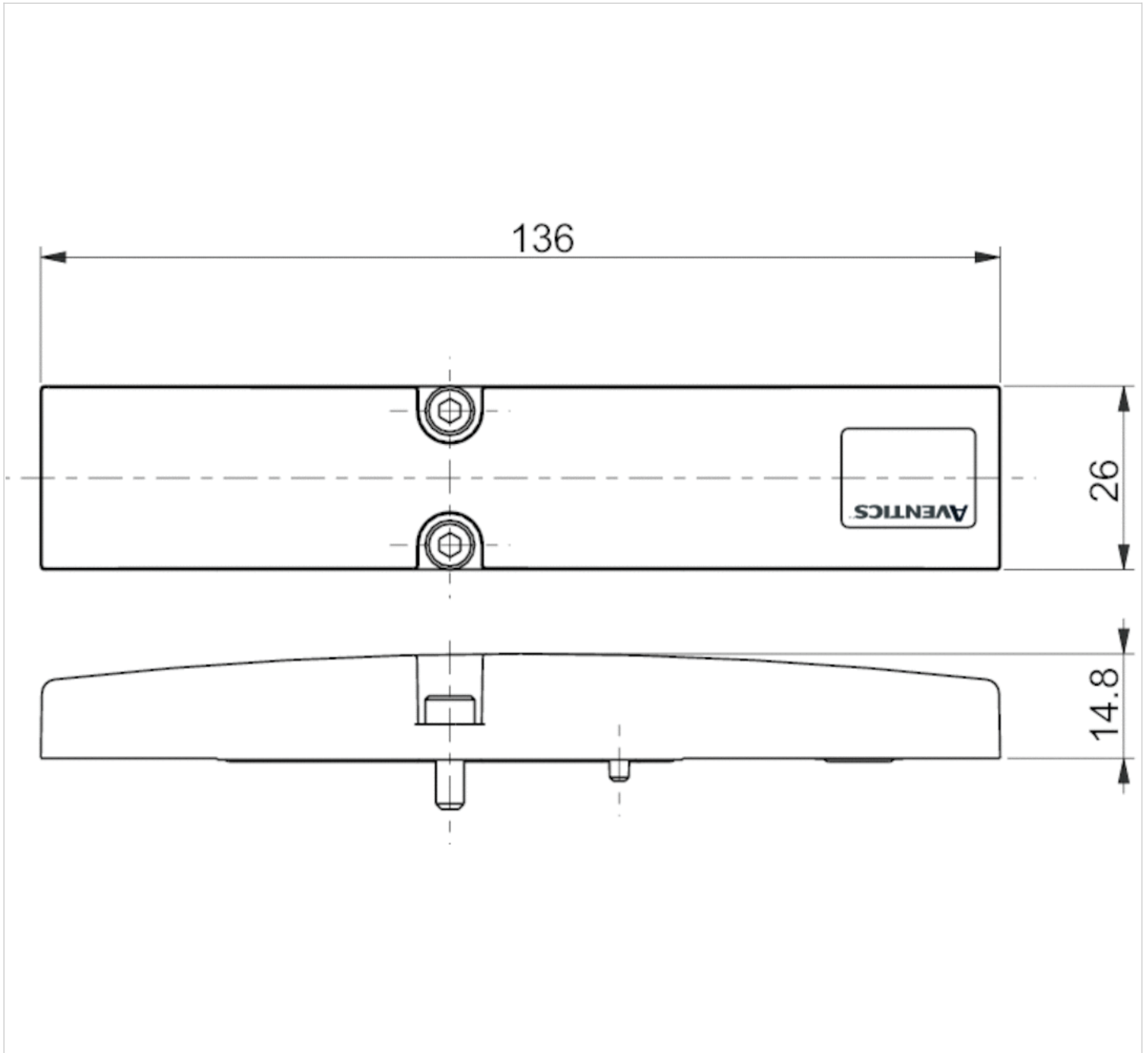
Technical information

The min. control pressure must be adhered to, since otherwise faulty switching and valve failure may result!
 The pressure dew point must be at least 15 °C under ambient and medium temperature and may not exceed 3 °C .
 The oil content of compressed air must remain constant during the life cycle.
 Use only the approved oils from AVENTICS. Further information can be found in the "Technical information" document (available in the MediaCentre).

Technical information

| Material | |
|----------|--------------------------------|
| Housing | Die-cast aluminum |
| Seal | Acrylonitrile butadiene rubber |
| Screws | galvanized steel |

Dimensions



Blanking plate



| | |
|--------------------------------|------------------|
| Working pressure min./max. | -0.95 ... 10 bar |
| Ambient temperature min./max. | -10 ... 50 °C |
| Medium temperature min./max. | -10 ... 50 °C |
| Medium | Compressed air |
| Number of valve positions max. | 1 |
| Protection class | IP65 |
| Weight | 0.248 kg |

Technical data

| Part No. | Scope of delivery |
|-----------------|--|
| R503AS425575001 | Sandwich plate, sealing kit, mounting screws |

Delivery includes sealing kit and 1x mounting screw

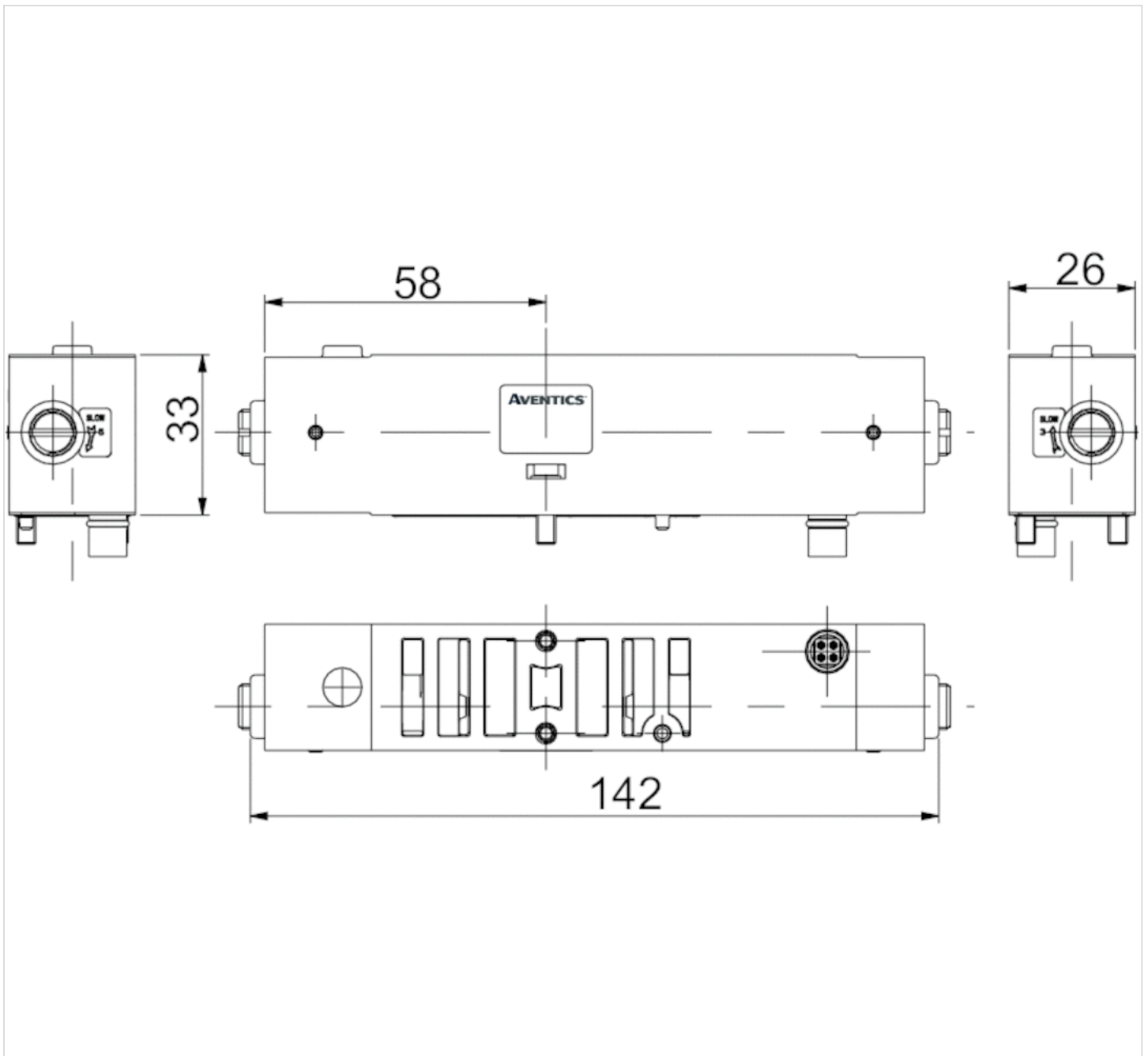
Technical information

The min. control pressure must be adhered to, since otherwise faulty switching and valve failure may result!
 The pressure dew point must be at least 15 °C under ambient and medium temperature and may not exceed 3 °C .
 The oil content of compressed air must remain constant during the life cycle.
 Use only the approved oils from AVENTICS. Further information can be found in the "Technical information" document (available in the MediaCentre).

Technical information

| Material | |
|----------|--------------------------------|
| Housing | Die-cast aluminum |
| Seal | Acrylonitrile butadiene rubber |
| Screws | Stainless steel |

Dimensions



Throttle plate, series 503



| | |
|--------------------------------|------------------|
| Working pressure min./max. | -0.95 ... 10 bar |
| Ambient temperature min./max. | -10 ... 50 °C |
| Medium temperature min./max. | -10 ... 50 °C |
| Medium | Compressed air |
| Number of valve positions max. | 1 |
| Protection class | IP65 |
| Weight | 0.028 kg |

Technical data

| Part No. | Scope of delivery |
|-----------------|--|
| R503AS425575002 | Sandwich plate, sealing kit, mounting screws |

Delivery includes sealing kit and 1x mounting screw

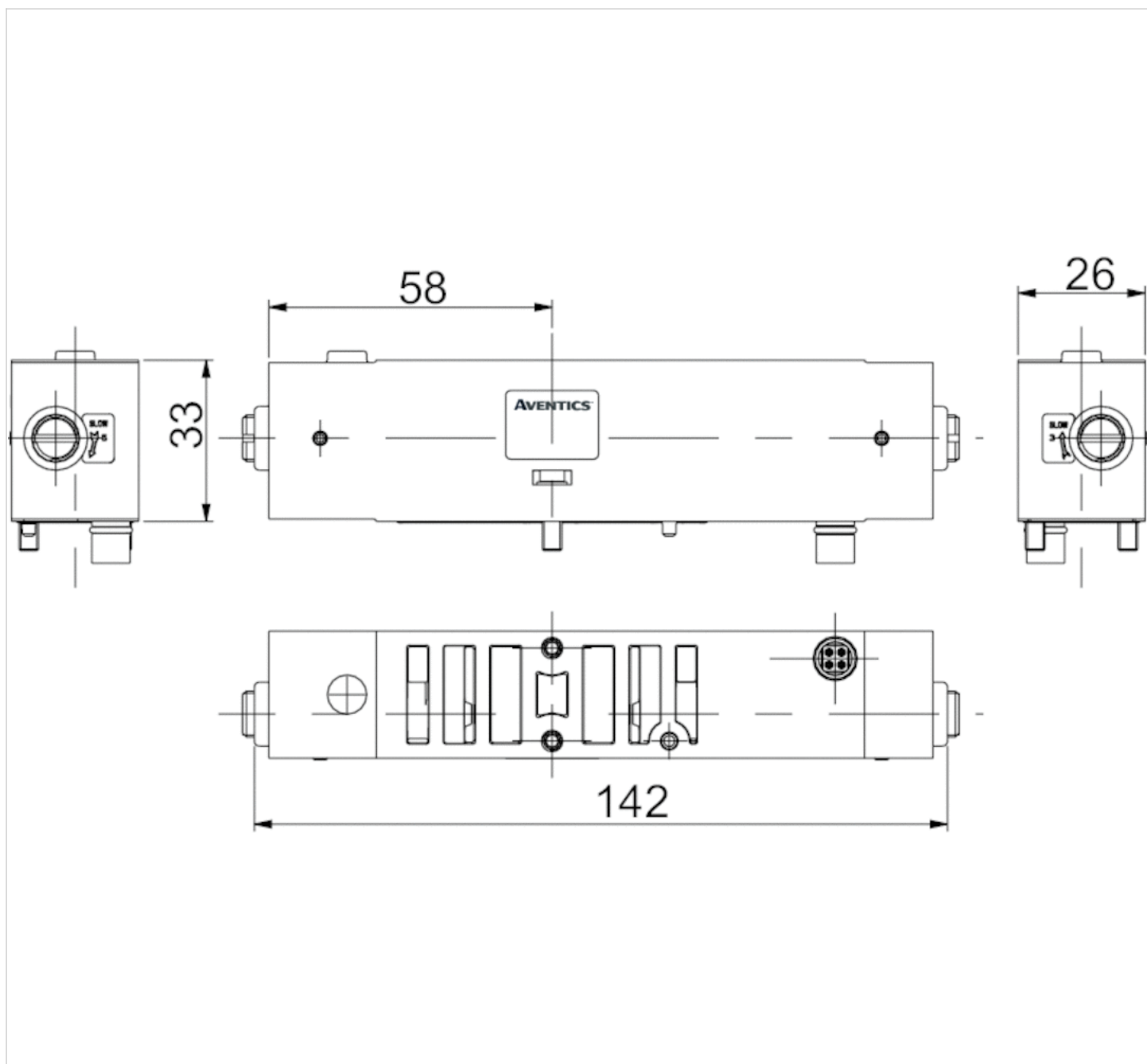
Technical information

The min. control pressure must be adhered to, since otherwise faulty switching and valve failure may result!
 The pressure dew point must be at least 15 °C under ambient and medium temperature and may not exceed 3 °C .
 The oil content of compressed air must remain constant during the life cycle.
 Use only the approved oils from AVENTICS. Further information can be found in the "Technical information" document (available in the MediaCentre).

Technical information

| Material | |
|----------|--------------------------------|
| Housing | Die-cast aluminum |
| Seal | Acrylonitrile butadiene rubber |
| Screws | Stainless steel |

Dimensions



Pressure plate for additional pressure supply, series 503



| | |
|--------------------------------|------------------|
| Working pressure min./max. | -0.95 ... 10 bar |
| Ambient temperature min./max. | -10 ... 50 °C |
| Medium temperature min./max. | -10 ... 50 °C |
| Medium | Compressed air |
| Number of valve positions max. | 1 |
| Protection class | IP65 |
| Weight | 0.028 kg |

Technical data

| Part No. | Scope of delivery |
|-----------------|--|
| G503AW428300004 | Sandwich plate, sealing kit, mounting screws |

| Part No. | Compressed air connection Input [1] |
|-----------------|---|
| G503AW428300004 | G 1/4 |

Delivery includes sealing kit and 1x mounting screw

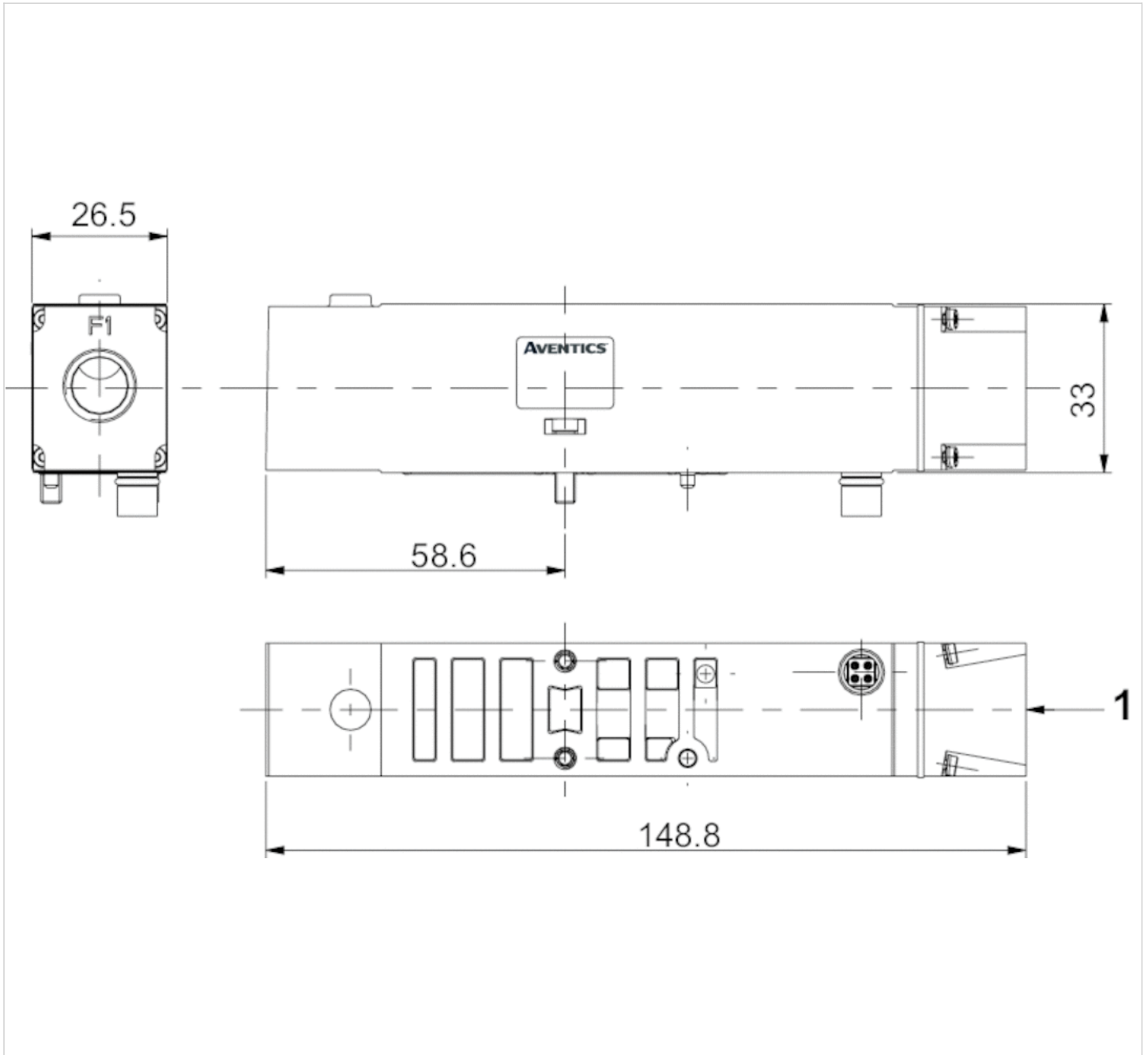
Technical information

The min. control pressure must be adhered to, since otherwise faulty switching and valve failure may result!
 The pressure dew point must be at least 15 °C under ambient and medium temperature and may not exceed 3 °C .
 The oil content of compressed air must remain constant during the life cycle.
 Use only the approved oils from AVENTICS. Further information can be found in the "Technical information" document (available in the MediaCentre).

Technical information

| Material | |
|----------|--------------------------------|
| Housing | Die-cast aluminum |
| Seal | Acrylonitrile butadiene rubber |
| Screws | Stainless steel |

Dimensions



Pressure plate ISO 15407-2 for additional pressure supply, series 503



| | |
|--------------------------------|------------------|
| Working pressure min./max. | -0.95 ... 10 bar |
| Ambient temperature min./max. | -10 ... 50 °C |
| Medium temperature min./max. | -10 ... 50 °C |
| Medium | Compressed air |
| Number of valve positions max. | 1 |
| Protection class | IP65 |
| Weight | 0.028 kg |

Technical data

| Part No. | Scope of delivery |
|-----------------|--|
| G503AW428300003 | Sandwich plate, sealing kit, mounting screws |

| Part No. | Compressed air connection Input [1] |
|-----------------|---|
| G503AW428300003 | G 1/4 |

Delivery includes sealing kit and 1x mounting screw

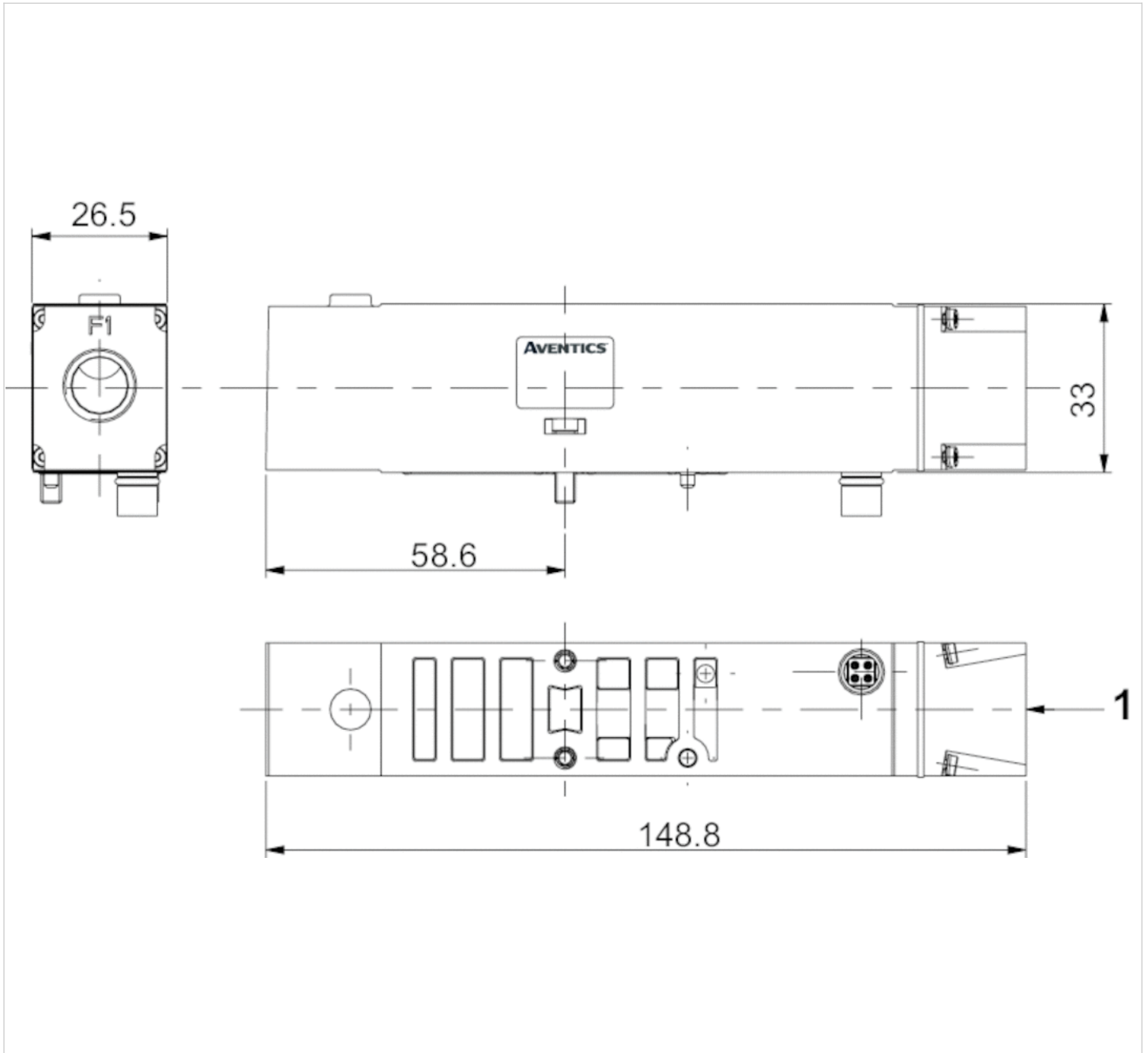
Technical information

The min. control pressure must be adhered to, since otherwise faulty switching and valve failure may result!
 The pressure dew point must be at least 15 °C under ambient and medium temperature and may not exceed 3 °C .
 The oil content of compressed air must remain constant during the life cycle.
 Use only the approved oils from AVENTICS. Further information can be found in the "Technical information" document (available in the MediaCentre).

Technical information

| Material | |
|----------|-------------------|
| Housing | Die-cast aluminum |
| Seal | Nitrile rubber |
| Screws | Stainless steel |

Dimensions



End plate, series 503



| | |
|-------------------------------|------------------|
| Working pressure min./max. | -0.95 ... 10 bar |
| Ambient temperature min./max. | -10 ... 50 °C |
| Medium temperature min./max. | -10 ... 50 °C |
| Medium | Compressed air |
| Protection class | IP65 |
| Weight | 1.33 kg |

Technical data

| Part No. | Scope of delivery |
|-----------------|--|
| G503AK428327013 | Left and right end plate, sealing kit, mounting screws |

| Part No. | Compressed air connection Input [1] | Compressed air connection Exhaust [3 / 5] |
|-----------------|---|---|
| G503AK428327013 | G 3/8 | G 3/8 |

Delivery includes sealing kit and 1x mounting screw

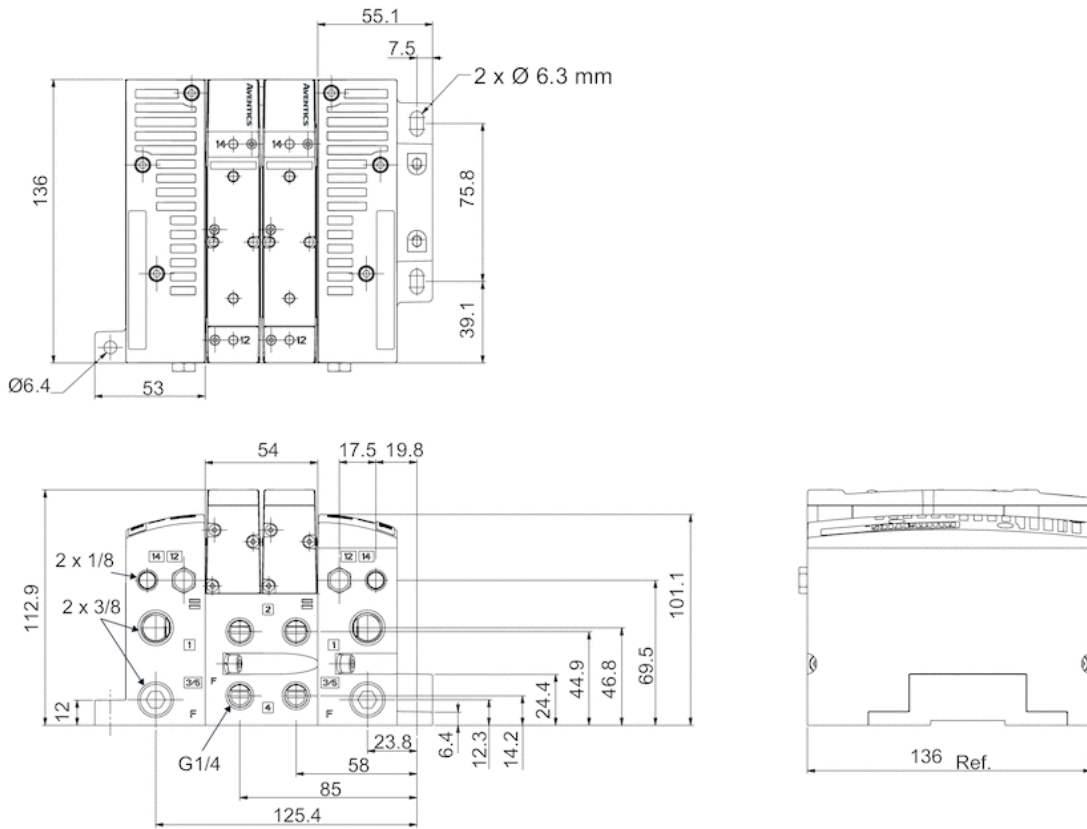
Technical information

The min. control pressure must be adhered to, since otherwise faulty switching and valve failure may result!
 The pressure dew point must be at least 15 °C under ambient and medium temperature and may not exceed 3 °C .
 The oil content of compressed air must remain constant during the life cycle.
 Use only the approved oils from AVENTICS. Further information can be found in the "Technical information" document (available in the MediaCentre).

Technical information

| Material | |
|----------|--------------------------------|
| Housing | Die-cast aluminum |
| Seal | Acrylonitrile butadiene rubber |
| Screws | galvanized steel |

Dimensions



Exhaust plate for vertical stacking assembly, series 503



| | |
|--------------------------------|------------------|
| Working pressure min./max. | -0.95 ... 10 bar |
| Ambient temperature min./max. | -10 ... 50 °C |
| Medium temperature min./max. | -10 ... 50 °C |
| Medium | Compressed air |
| Number of valve positions max. | 1 |
| Protection class | IP65 |
| Weight | 0.241 kg |

Technical data

| Part No. | Scope of delivery |
|-----------------|--|
| G503AX428300002 | Sandwich plate, sealing kit, mounting screws |

| Part No. | Compressed air connection |
|-----------------|-----------------------------|
| G503AX428300002 | Exhaust [3 / 5] G 1/4 |

Delivery includes sealing kit and 1x mounting screw

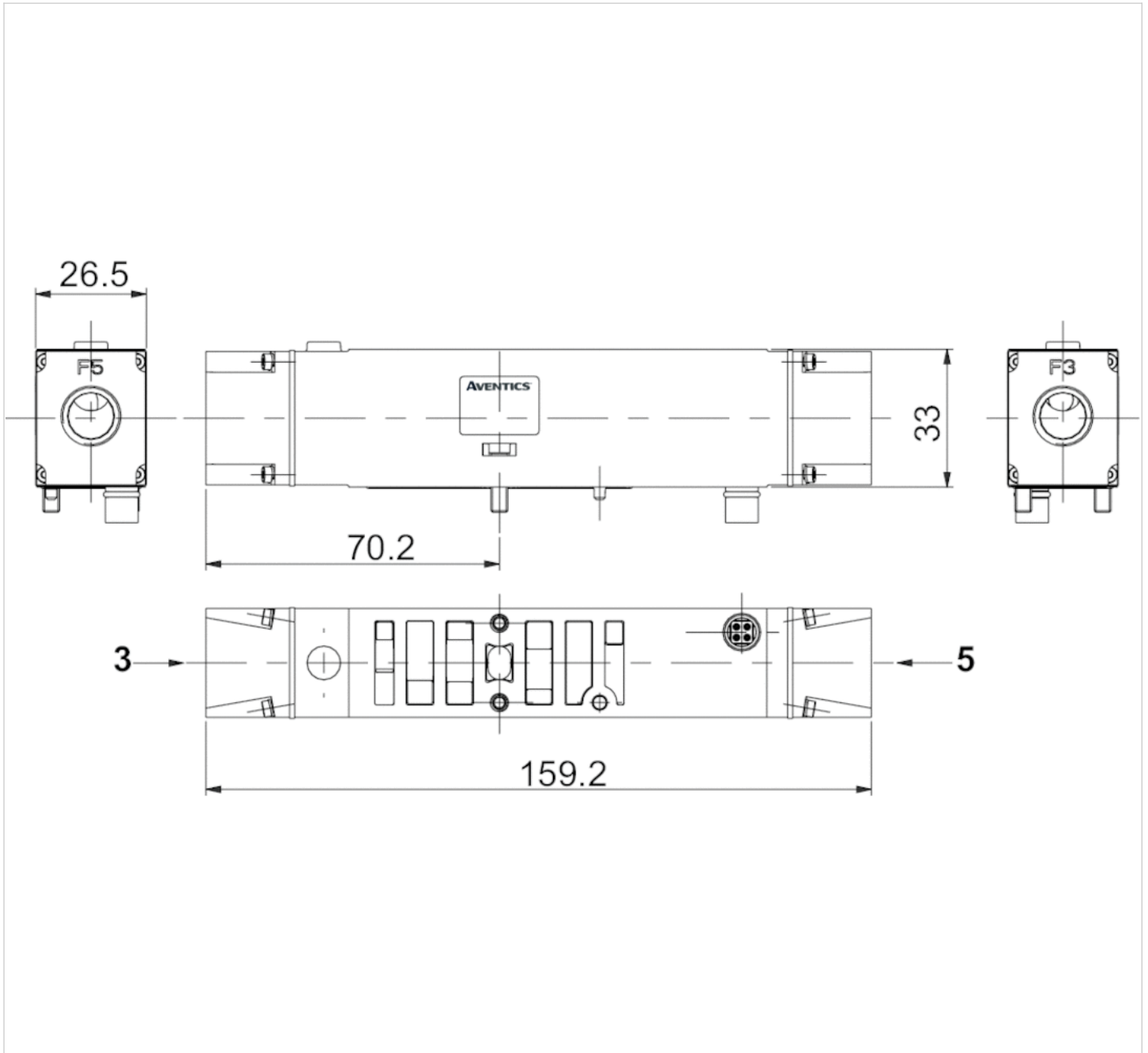
Technical information

The min. control pressure must be adhered to, since otherwise faulty switching and valve failure may result!
 The pressure dew point must be at least 15 °C under ambient and medium temperature and may not exceed 3 °C .
 The oil content of compressed air must remain constant during the life cycle.
 Use only the approved oils from AVENTICS. Further information can be found in the "Technical information" document (available in the MediaCentre).

Technical information

| Material | |
|----------|--------------------------------|
| Housing | Die-cast aluminum |
| Seal | Acrylonitrile butadiene rubber |
| Screws | Stainless steel |

Dimensions



Exhaust plate ISO 15407-2 for vertical stacking assembly, series 503



| | |
|--------------------------------|------------------|
| Working pressure min./max. | -0.95 ... 10 bar |
| Ambient temperature min./max. | -10 ... 50 °C |
| Medium temperature min./max. | -10 ... 50 °C |
| Medium | Compressed air |
| Number of valve positions max. | 1 |
| Protection class | IP65 |
| Weight | 0.241 kg |

Technical data

| Part No. | Scope of delivery |
|-----------------|--|
| G503AX428300001 | Sandwich plate, sealing kit, mounting screws |

| Part No. | Compressed air connection |
|-----------------|-----------------------------|
| G503AX428300001 | Exhaust [3 / 5] G 1/4 |

Delivery includes sealing kit and 1x mounting screw

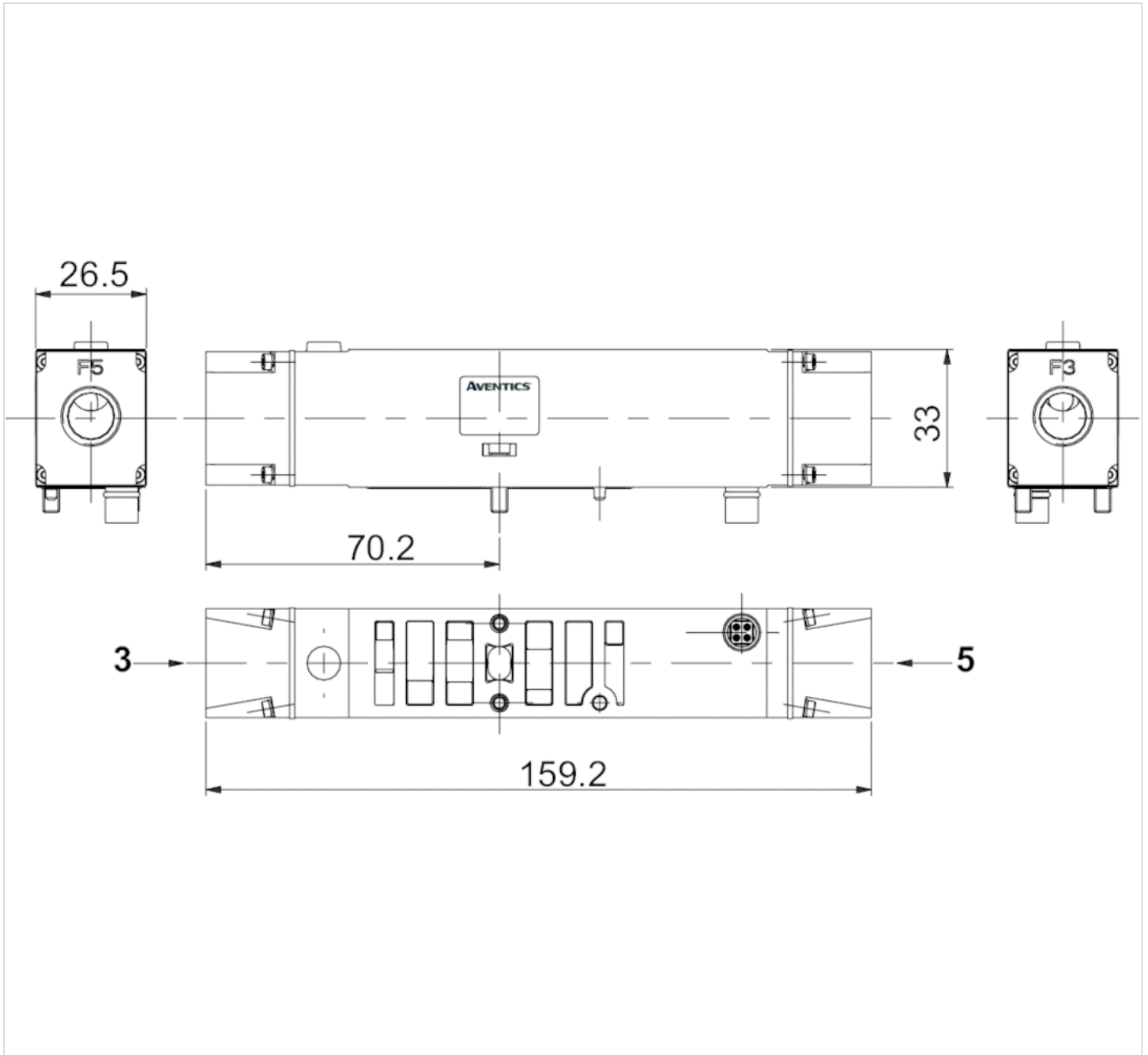
Technical information

The min. control pressure must be adhered to, since otherwise faulty switching and valve failure may result!
 The pressure dew point must be at least 15 °C under ambient and medium temperature and may not exceed 3 °C .
 The oil content of compressed air must remain constant during the life cycle.
 Use only the approved oils from AVENTICS. Further information can be found in the "Technical information" document (available in the MediaCentre).

Technical information

| Material | |
|----------|--------------------------------|
| Housing | Die-cast aluminum |
| Seal | Acrylonitrile butadiene rubber |
| Screws | Stainless steel |

Dimensions



Base plate with optimized flow, series 503

| | | |
|--|--------------------------------|------------------|
| - Compressed air connection output G 1/4 | Working pressure min./max. | -0.95 ... 10 bar |
| | Ambient temperature min./max. | -10 ... 50 °C |
| | Medium temperature min./max. | -10 ... 50 °C |
| | Medium | Compressed air |
| | Number of valve positions max. | 2 |
| | Protection class | IP65 |
| | Weight | 0.564 kg |

Technical data

| Part No. | Scope of delivery |
|----------------|--|
| G503AMS22MA001 | Connection plate, sealing kit, mounting screws |
| G503AMM22MA001 | Connection plate, sealing kit, mounting screws |

| Part No. | Compressed air connection Output [2 / 4] | Compressed air connection Pilot connection [12] |
|----------------|--|---|
| G503AMS22MA001 | G 1/4 | G 1/8 |
| G503AMM22MA001 | G 1/4 | G 1/8 |

| Part No. | Compressed air connection Pilot control exhaust [R] |
|----------------|---|
| G503AMS22MA001 | G 1/8 |
| G503AMM22MA001 | G 1/8 |

Delivery includes sealing kit and 1x mounting screw

Technical information

The min. control pressure must be adhered to, since otherwise faulty switching and valve failure may result!
 The pressure dew point must be at least 15 °C under ambient and medium temperature and may not exceed 3 °C .
 The oil content of compressed air must remain constant during the life cycle.
 Use only the approved oils from AVENTICS. Further information can be found in the "Technical information" document (available in the MediaCentre).

Technical information

| Material | |
|----------|--------------------------------|
| Housing | Die-cast aluminum |
| Seal | Acrylonitrile butadiene rubber |
| Screws | galvanized steel |

Base plate according to ISO 15407-2, series 503

| | |
|--------------------------------|------------------|
| Working pressure min./max. | -0.95 ... 10 bar |
| Ambient temperature min./max. | -10 ... 50 °C |
| Medium temperature min./max. | -10 ... 50 °C |
| Medium | Compressed air |
| Number of valve positions max. | 2 |
| Protection class | IP65 |
| Weight | 0.564 kg |

Technical data

| Part No. | Type |
|----------------|-----------------------------|
| G503AMS22MA002 | Single base plate principle |
| G503AMM22MA002 | Double base plate principle |

| Part No. | Scope of delivery |
|----------------|--|
| G503AMS22MA002 | Connection plate, sealing kit, mounting screws |
| G503AMM22MA002 | Connection plate, sealing kit, mounting screws |

| Part No. | Compressed air connection Exhaust [3 / 5] | Compressed air connection Pilot connection [12] |
|----------------|---|---|
| G503AMS22MA002 | G 1/4 | G 1/8 |
| G503AMM22MA002 | G 1/4 | G 1/8 |

| Part No. | Compressed air connection Pilot control exhaust [R] |
|----------------|---|
| G503AMS22MA002 | G 1/8 |
| G503AMM22MA002 | G 1/8 |

Delivery includes sealing kit and 1x mounting screw

Technical information

The min. control pressure must be adhered to, since otherwise faulty switching and valve failure may result!

The pressure dew point must be at least 15 °C under ambient and medium temperature and may not exceed 3 °C .

The oil content of compressed air must remain constant during the life cycle.

Use only the approved oils from AVENTICS. Further information can be found in the "Technical information" document (available in the MediaCentre).

Technical information

| Material | |
|----------|--------------------------------|
| Housing | Die-cast aluminum |
| Seal | Acrylonitrile butadiene rubber |

| Material | |
|----------|------------------|
| Screws | galvanized steel |

Pilot air supply plate for vertical stacking assembly, series 503



| | |
|--------------------------------|------------------|
| Working pressure min./max. | -0.95 ... 10 bar |
| Ambient temperature min./max. | -10 ... 50 °C |
| Medium temperature min./max. | -10 ... 50 °C |
| Medium | Compressed air |
| Number of valve positions max. | 1 |
| Protection class | IP65 |
| Weight | 0.028 kg |

Technical data

| Part No. | Scope of delivery |
|-----------------|--|
| G503AP428300006 | Sandwich plate, sealing kit, mounting screws |

| Part No. | Compressed air connection Pilot connection [12] |
|-----------------|---|
| G503AP428300006 | G 1/4 |

Delivery includes sealing kit and 1x mounting screw

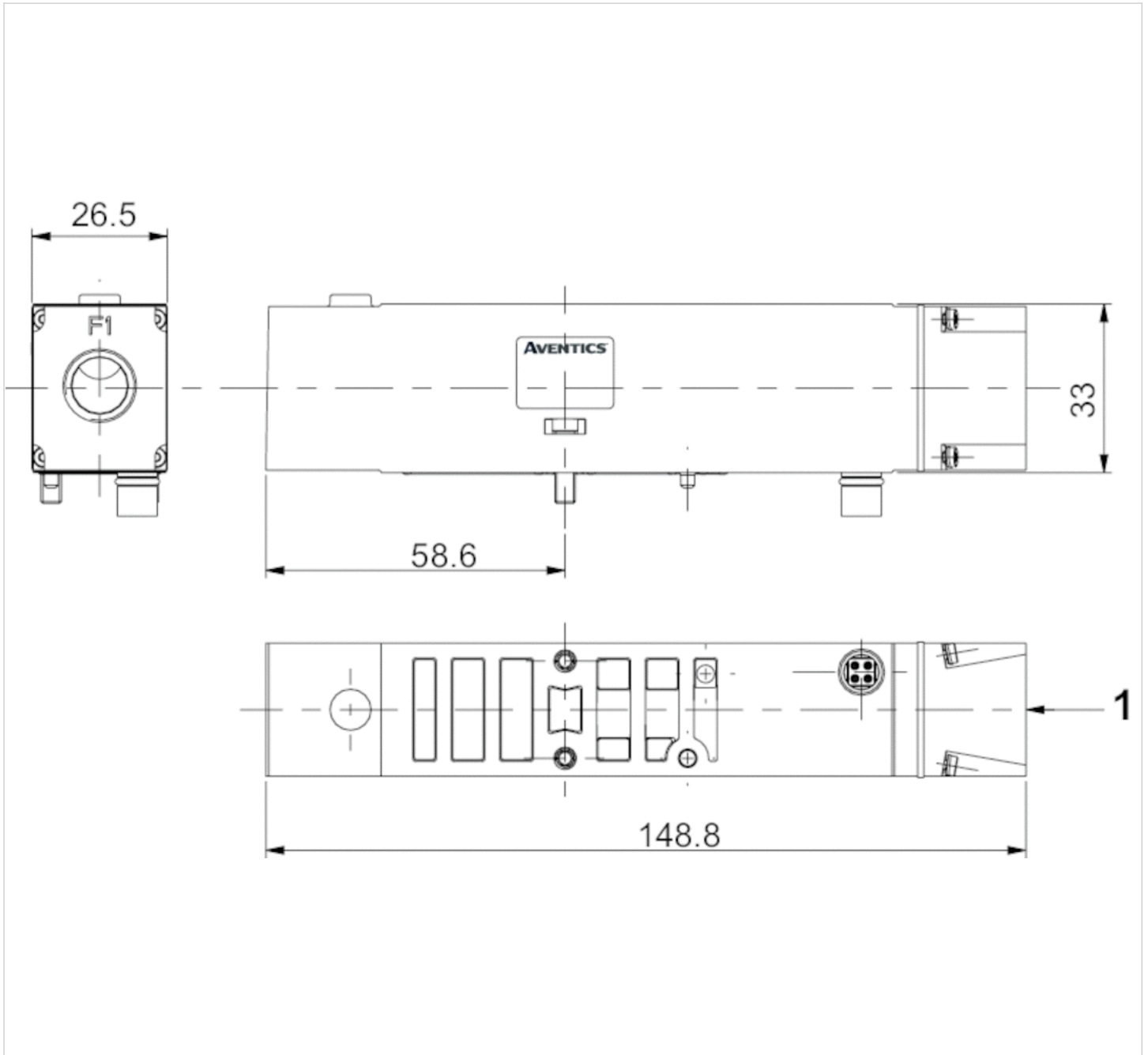
Technical information

The min. control pressure must be adhered to, since otherwise faulty switching and valve failure may result!
 The pressure dew point must be at least 15 °C under ambient and medium temperature and may not exceed 3 °C .
 The oil content of compressed air must remain constant during the life cycle.
 Use only the approved oils from AVENTICS. Further information can be found in the "Technical information" document (available in the MediaCentre).

Technical information

| Material | |
|----------|--------------------------------|
| Housing | Die-cast aluminum |
| Seal | Acrylonitrile butadiene rubber |
| Screws | Stainless steel |

Dimensions



Pilot air supply plate ISO 15407-2 for vertical stacking assembly, series 503



| | |
|-------------------------------|------------------|
| Working pressure min./max. | -0.95 ... 10 bar |
| Ambient temperature min./max. | -10 ... 50 °C |
| Medium temperature min./max. | -10 ... 50 °C |
| Medium | Compressed air |
| Protection class | IP65 |
| Weight | 0.028 kg |

Technical data

| Part No. | Scope of delivery |
|-----------------|--|
| G503AP428300005 | Sandwich plate, sealing kit, mounting screws |

| Part No. | Compressed air connection Pilot connection [12] |
|-----------------|---|
| G503AP428300005 | G 1/4 |

Delivery includes sealing kit and 1x mounting screw

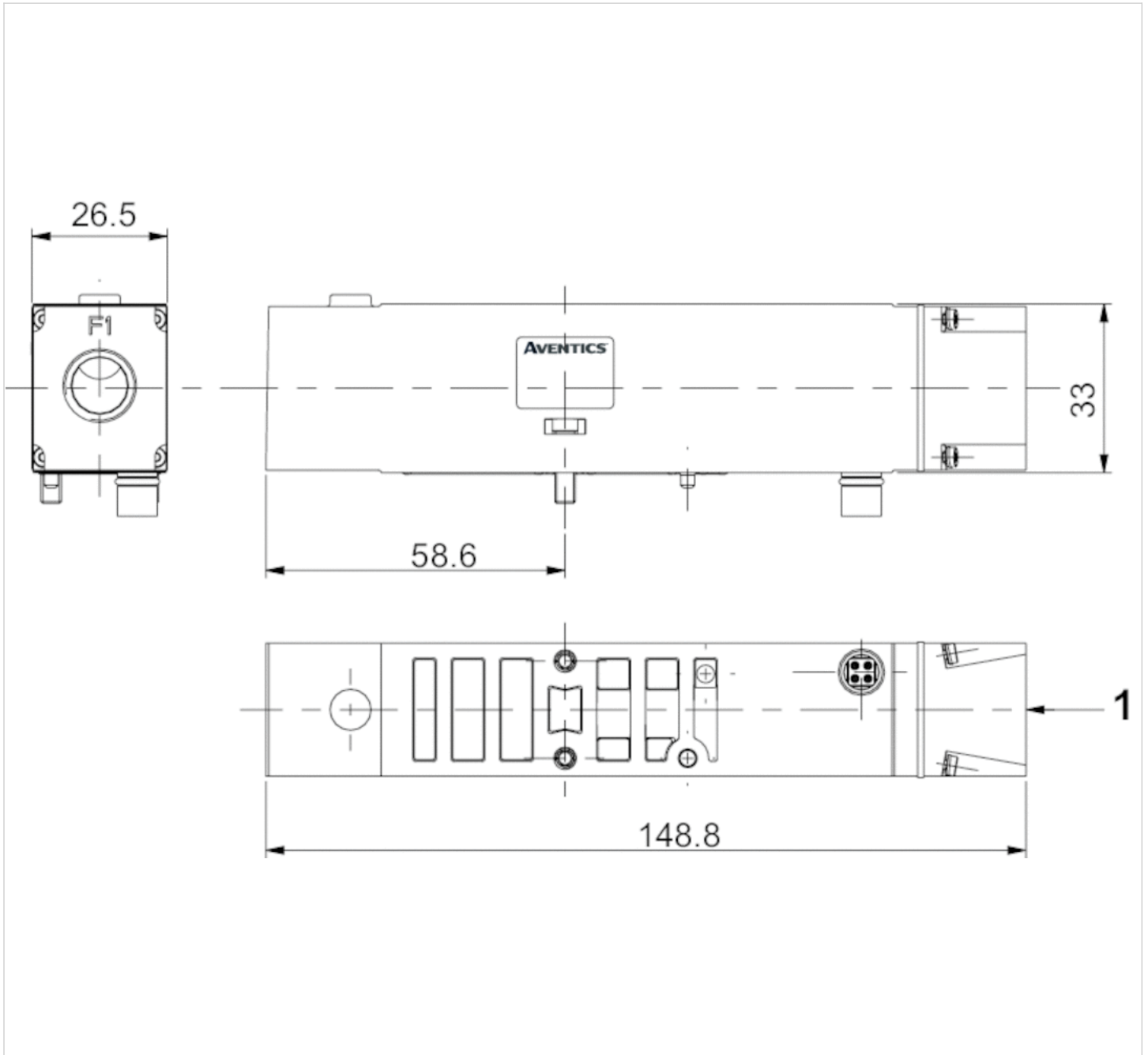
Technical information

The min. control pressure must be adhered to, since otherwise faulty switching and valve failure may result!
 The pressure dew point must be at least 15 °C under ambient and medium temperature and may not exceed 3 °C .
 The oil content of compressed air must remain constant during the life cycle.
 Use only the approved oils from AVENTICS. Further information can be found in the "Technical information" document (available in the MediaCentre).

Technical information

| Material | |
|----------|-------------------|
| Housing | Die-cast aluminum |
| Seal | Nitrile rubber |
| Screws | Stainless steel |

Dimensions



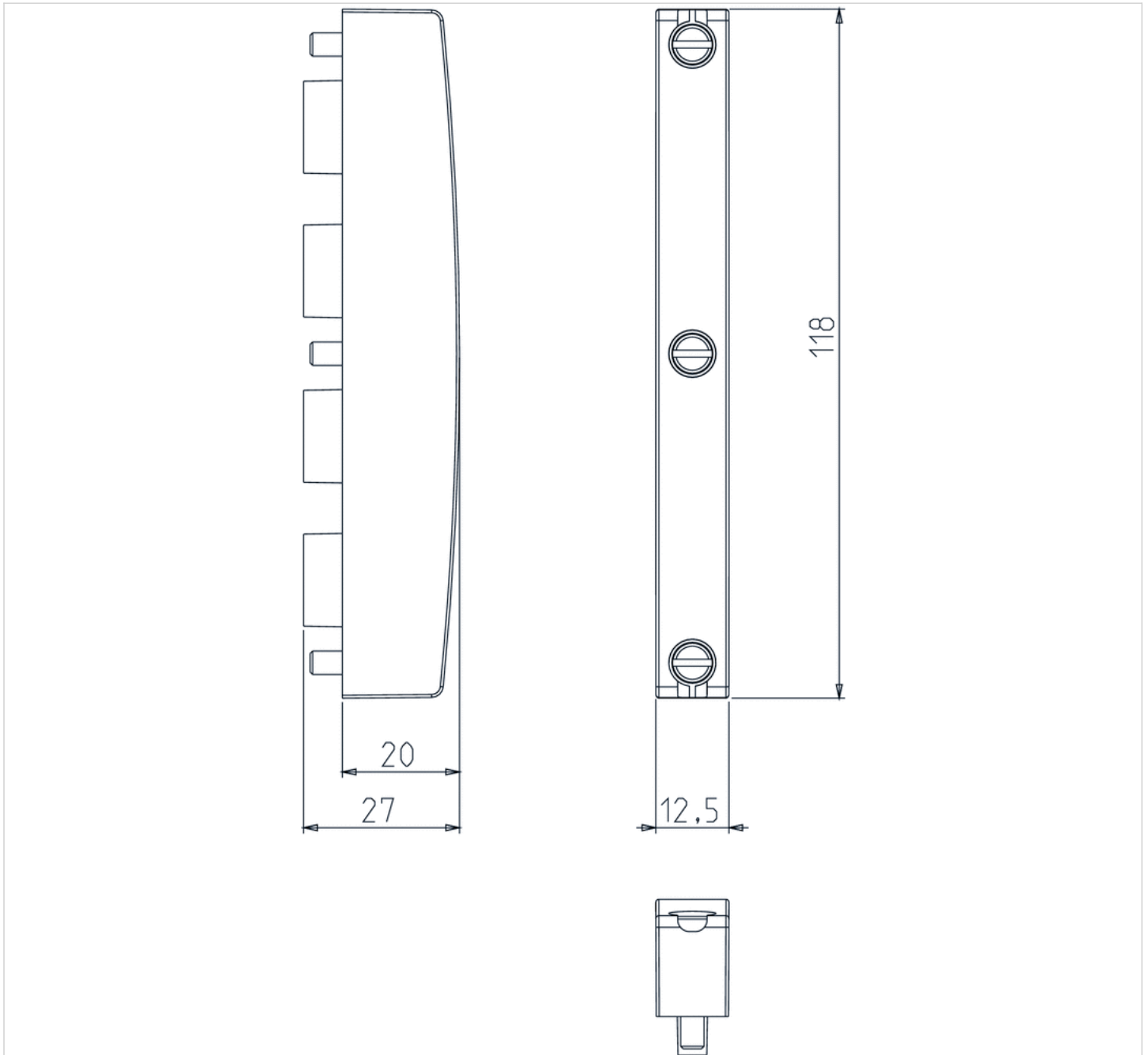
Spring clamp element



Technical data

| Part No. |
|----------|
| 240-179 |

Dimensions



Multipole plug, series CON-MP

- Series 599, Multipole plug D-Sub (25-pin)

- Socket D-Sub 25-pin



Ambient temperature min./max.

-5 ... 50 °C

Wire cross-section

0.34 mm²

Technical data

Part No.

P599AE428441001

Technical information

The specified protection class is only valid in assembled and tested state.

Note for use with VS LP04: The plug can only be used in the LP04 versions with a side electrical connection.

Multipole plug, series CON-MP

- Series 599, Multipole plug D-Sub (37-pin)

- Socket D-Sub 25-pin



Ambient temperature min./max.

-5 ... 50 °C

Wire cross-section

0.34 mm²

Technical data

Part No.

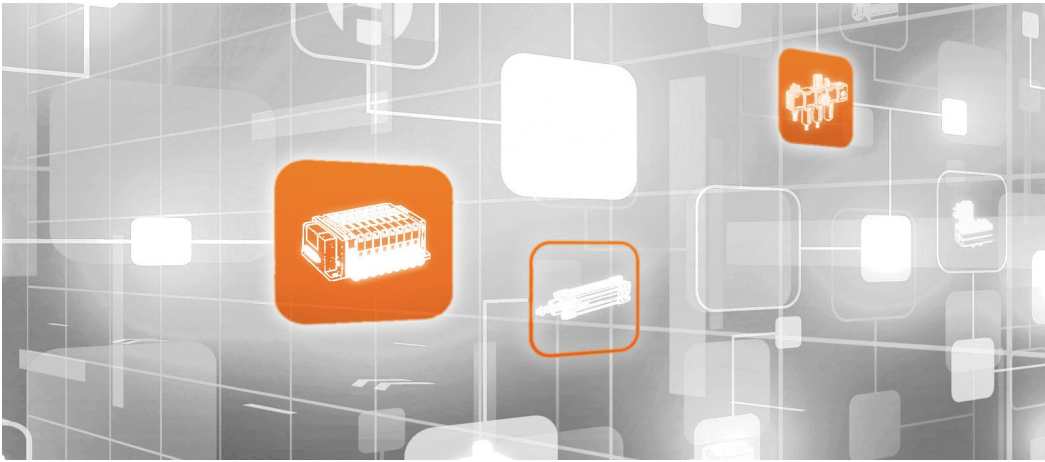
P599AE428442001

Technical information

The specified protection class is only valid in assembled and tested state.

Note for use with VS LP04: The plug can only be used in the LP04 versions with a side electrical connection.

Efficient pneumatic solutions, our program: cylinders and drives, valves and valve systems, air supply management



Visit us: Emerson.com/Aventics

Your local contact: Emerson.com/contactus



Emerson.com



Facebook.com/EmersonAutomationSolutions



LinkedIn.com/company/Emerson-Automation-Solutions



Twitter.com/EMR_Automation

An example configuration is depicted on the title page. The delivered product may thus vary from that in the illustration. Subject to change. This Document, as well as the data, specifications and other information set forth in it, are the exclusive property of AVENTICS GmbH. It may not be reproduced or given to third parties without its consent. Only use the AVENTICS products shown in industrial applications. Read the product documentation completely and carefully before using the product. Observe the applicable regulations and laws of the respective country. When integrating the product into applications, note the system manufacturer's specifications for safe use of the product. The data specified only serve to describe the product. No statements concerning a certain condition or suitability for a certain application can be derived from our information. The information given does not release the user from the obligation of own judgement and verification. It must be remembered that the products are subject to a natural process of wear and aging.

The Emerson logo is a trademark and service mark of Emerson Electric Co. Brand logotype are registered trademarks of one of the Emerson family of companies. All other marks are the property of their respective owners. © 2021 Emerson Electric Co. All rights reserved.
2021-04



CONSIDER IT SOLVED™