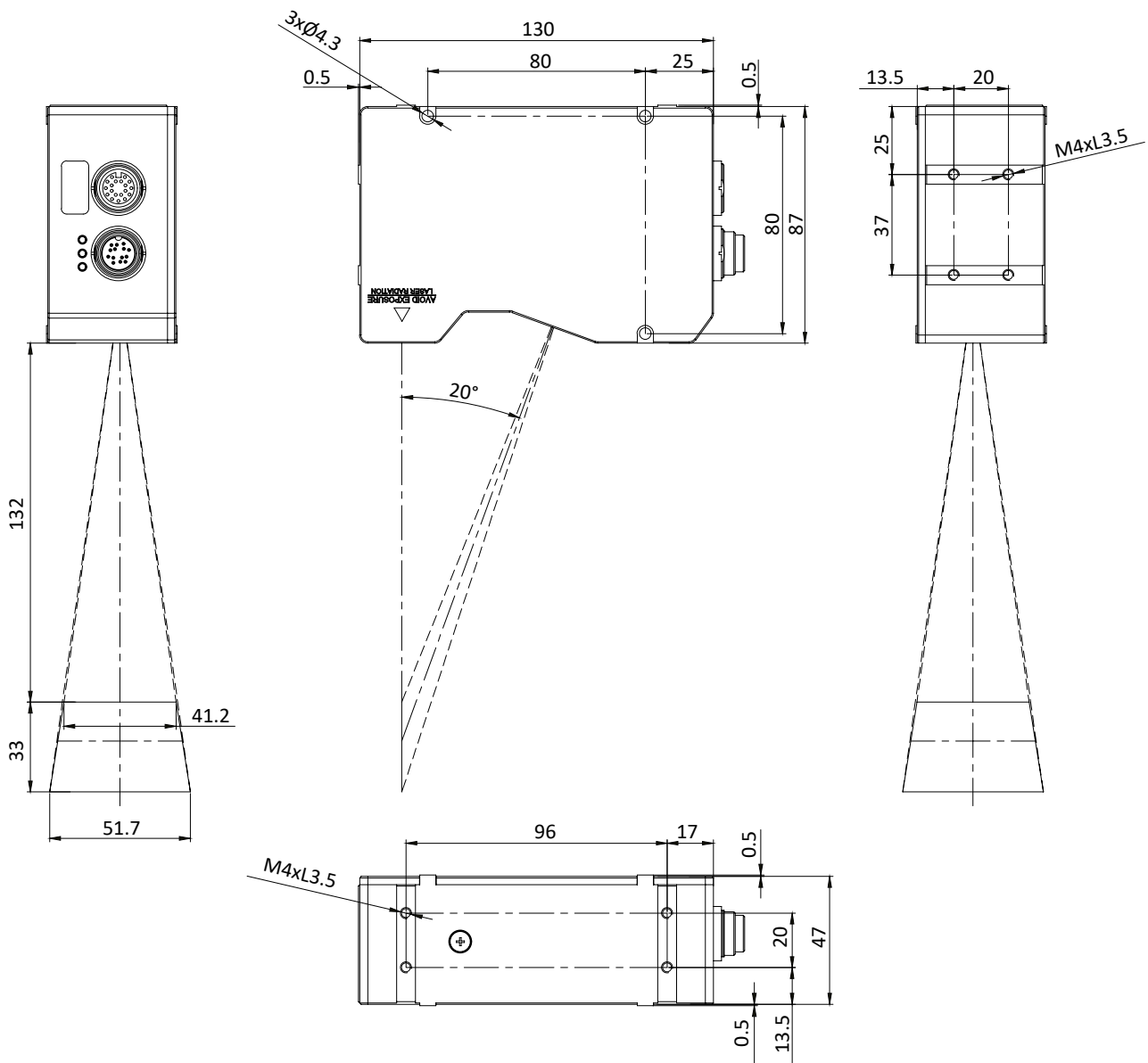


LVM2435



OPTICAL DATA

WORKING RANGE Z	132 ... 165 mm	MEASUREMENT RANGE Z	33 mm
MEASUREMENT RANGE X	41.2 ... 51.7 mm	LINEARITY Z (+/- % OF MR)	0.05%
RESOLUTION X	12.9 ... 16.2 µm	REPEATABILITY Z	0.6 µm
LIGHT SOURCE	Laser (blue)	WAVELENGTH	650 nm
LASER CLASS	2M - 3R	DATA POINTS	3200

APPROVALS



LVM2435

ENVIRONMENTAL CONDITIONS

AMBIENT TEMPERATURE	0 ... +50 °C
STORAGE TEMPERATURE	-30 ... +70 °C
WORKING HUMIDITY	20 % ... 85 % RH
MAX.AMBIENT LIGHT	10000 Lux
EMC	EN 61326-1:2013(GB/T18268) EN 55011:2007-11(GB4824,group 1,A class) EN 61000-6-2:2006-03(GB/T17799.2)
SHOCK RESISTANCE	15 g/11 ms, positive and negative for X, Y and Z directions
VIBRATION RESISTANCE	10 to 55 Hz, 1.5 mm double amplitude in X, Y and Z directions, 2 hours per direction

ELECTRICAL DATA

SUPPLY VOLTAGE	24 ... 48 V DC	POWER	15 W
MEASURING RATE	1500 ... 20000 Hz	INPUTS	Differential Encoder, Laser Safety Enable, Trigger
OUTPUTS	2 x Digital Output, RS-485 Serial, 1 x Analog Output	INTERFACE	Modbus TCP/Profinet/ASCII

MECHANICAL DATA

HOUSING MATERIAL	Aluminium	PROTECTION CLASS	IP67 (inserted and tightened)
DIMENSIONS	130.5 x 87.5 x 48 mm	WEIGHT	0.64 Kg
CONNECTION	M16 ; 14 - pin M16 ; 19 - pin	TEMPERATURE CHARACTERISTICS	0.01 %

COMPLEMENTARY PRODUCTS

SYNCHRONOUS CONTROLLER

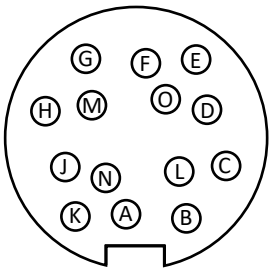
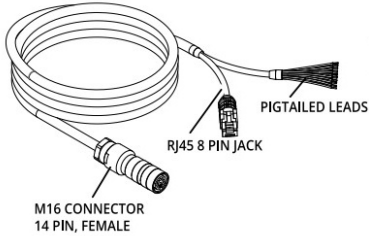
SOFTWARE

CONNECTION CABLES

ARTICLE NUMBER OF CONNECTION CABLES

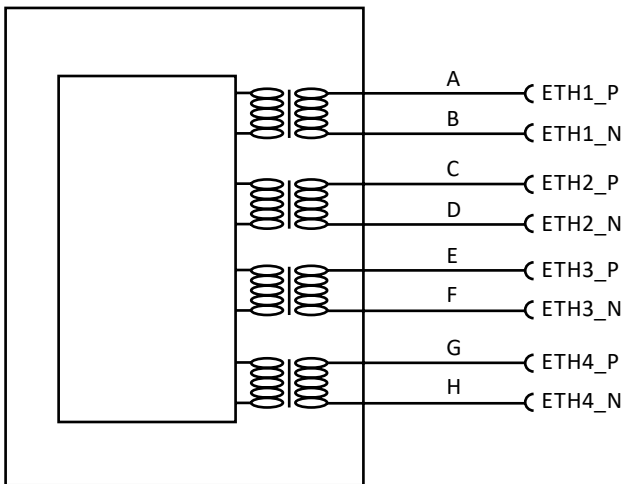
POWER & ETHERNET CABLES	I/O CABLES
LVM-CP-2	LVM-CD-2
LVM-CP-5	LVM-CD-5
LVM-CP-10	LVM-CD-10
LVM-CP-15	LVM-CD-15

LVM2435

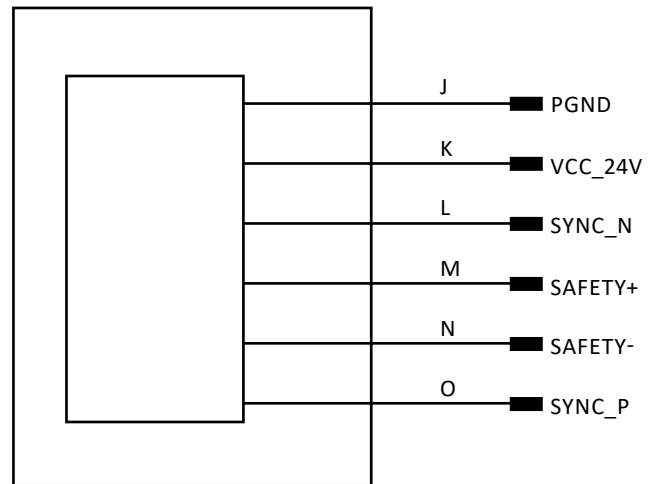


THE POWER & ETHERNET CORDSET			
MARK	PIN	COLOR	DESCRIPTION
ETH1_P	A	Red	Gigabit Ethernet interface
ETH1_N	B	Red/White	
ETH2_P	C	Blue	
ETH2_N	D	Blue/Black	
ETH3_P	E	Black	
ETH3_N	F	Black/White	
ETH4_P	G	Green	
ETH4_N	H	Green/Black	
PGND	J	Brown Brown/Black	Power-
VCC_24V	K	White White/Black	Power+
SYNC_N	L	Orange	Reserved interface
SYNC_P	O	Orange/Black	Reserved interface
SAFETY+	M	Yellow	Laser safety+
SAFETY-	N	Yellow/Black	Laser safety-

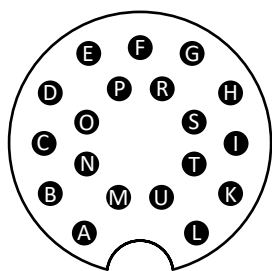
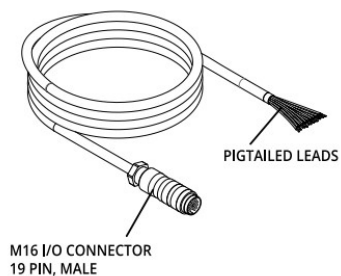
CONNECTION DIAGRAM, ETHERNET



CONNECTION DIAGRAM, POWER SUPPLY

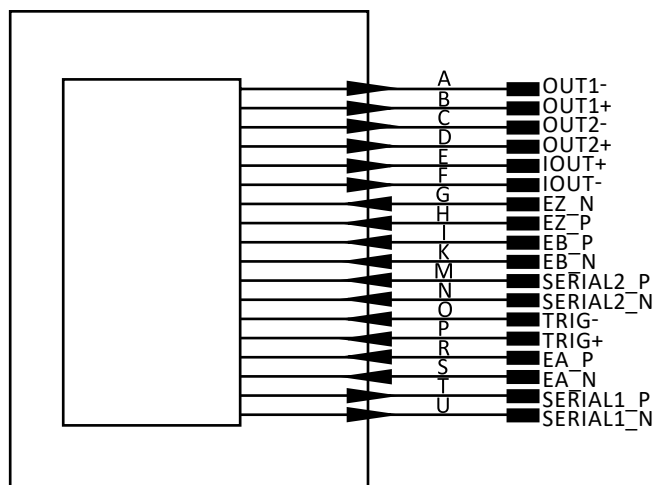


LVM2435



INPUT & OUTPUT CORDSET			
MARK	PIN	COLOR	RESERVED INTERFACE
OUT1-	A	Red	Digital 1-
OUT1+	B	Red/White	Digital 1+
OUT2-	C	Blue	Digital 2-
OUT2+	D	Blue/Black	Digital 2+
IOUT+	E	Black	4-20mA analogue
IOUT-	F	Black/White	Gnd
EZ_N	G	Green	Encoder EZ-
EZ_P	H	Green/Black	Encoder EZ+
EB_P	I	Yellow	Encoder EB+
EB_N	K	Yellow	Encoder EB-
SERIAL2_P	M	Brown	Serial 2 input+
SERIAL2_N	N	Brown/Black	Serial 2 input-
TRIG-	O	White	Trigger signal-
TRIG+	P	White/Black	Trigger signal+
EA_P	R	Purple	Encoder EA+
EA_N	S	Purple/Black	Encoder EA-
SERIAL1_P	T	Grey	Serial 1 output+
SERIAL1_N	U	Grey/Black	Serial 1 output-

CONNECTION DIAGRAM, INPUT & OUTPUT



LVM2435

SALES AND SERVICE

Tianjin Elco Automation Co., Ltd

No. 12, 4th XEDA Branch Road
Xiqing Economic-Technological Development Area
Tianjin 300385, P.R. China
Office Phone: 022 23788282
E-Mail: info@elco.cn
www.elco-holding.com.cn

Elco Industrie Automation GmbH

Benzstrasse 7
71720 Oberstenfeld,
Deutschland
Office Phone: +49 7062 / 6599-260
E-Mail: info@elco-automation.de
www.elco-automation.de

Elco Automation LLC

1097 Highway 101 South, Suite D-3 Greer
South Carolina 29651, USA
Office Phone: +1 864-581-7431
E-Mail: infousa@elcoautomation.com
www.elcoautomation.com

Elco Industrial Automation Pvt Ltd.

No 80, 1st Main, 2nd Cross, Royal Enclave,
Sidedahalli, Nagasandra Bangalore 560073, India
Office Phone: +91-7259931777
E-Mail: info@elcoautomation.in
www.elcoautomation.com

Elco Automation Korea Ltd.

706, 17 Daehak 4-ro, Yeongtong-gu, Suwon-si,
Gyeonggi-do, Republic of Korea, 16226
Office Phone: +82-31-216-7890
E-Mail: sales@elcoautomation.co.kr
www.elcoautomation.com