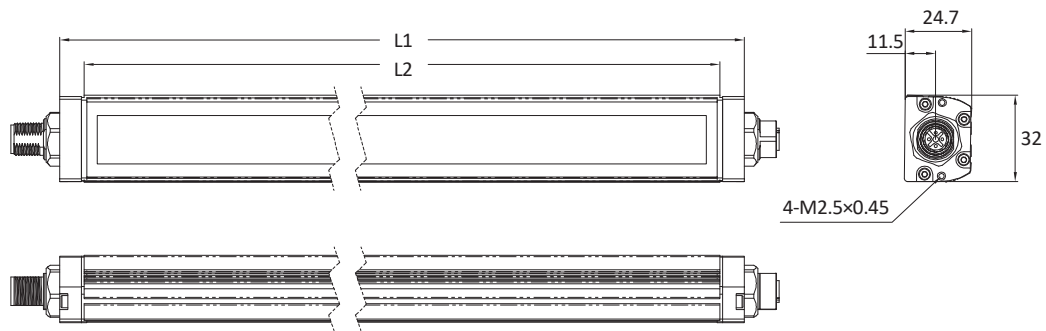


Strip lighting are suitable for the local lighting, e.g., machine in the production and processing plant, control cabinet, or working position, etc. Based on their high ability on water and dust proofing, the lights with solid shell can be applicable to any harsh environmental conditions. The characteristics of low voltage makes LED can be directly incorporated into the industrial safety low voltage interface, so it is easy for industrial control.

- High power solid state LED array in white models
32 mm total width
- Lighted lengths available in four size
250 mm, 500 mm, 750 mm, 1000 mm
18 ... 30 V DC operation
- Cabled and Quick Disconnect models available, the length of the cable can be customized
- Stand-alone and cascable models available
- IP65



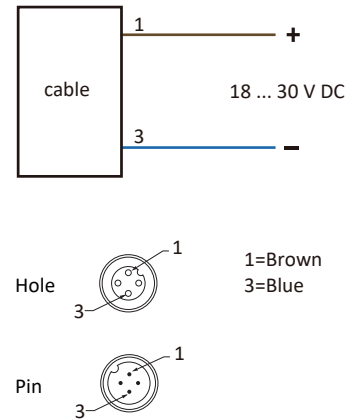
Sizes (mm)

Model	L1 (mm)	L2 (mm)
LF32W250 ...	268	250
LF32W500 ...	518	500
LF32W750 ...	768	750
LF32W1000 ...	1018	1000

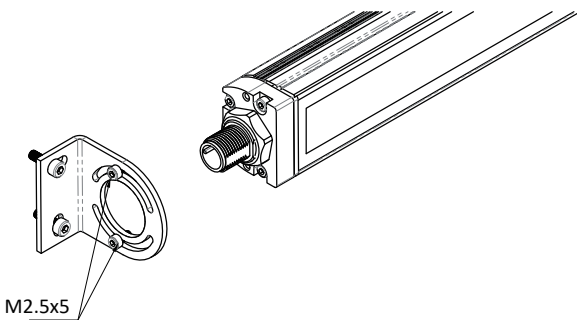
Technical Parameter

Type	LF32W250 ...	LF32W500 ...	LF32W750 ...	LF32W1000 ...
Length (mm)	250	500	750	1000
Operating voltage (V)	18 ... 30 V DC			
Power (W)	6-7	12-14	18-20	24-26
CCT (K)	5700			
Lumens (lm)	550	1100	1650	2200
IP	IP65			
Operating temperature	-20 °C ... 50 °C			
Note	The Power & Lumens has the fluctuation of 10% in normal			

Wiring



Installation instructions



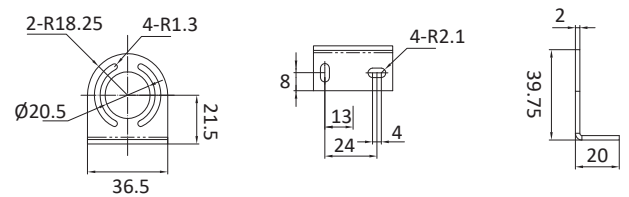
- Before installing the LED lights, Must ensure the power be off
- When installing the lights, please accord to the graphic for wiring installation
- Must access the anode of 18 ... 30VDC voltage to No1 pin or hole (when cascaded), and the cathode 18 ... 30VDC voltage to No3 pin or hole

Accessories



Each LED light has 2pcs brackets and 4pcs M4*16 screws for installation, and the angle of the brackets canbe adjusted.

The size of the braket is as follows:



CASCADE QTY

Model	QTY
LF32W250-MC / LF32W250L60-MC	8
LF32W500-MC / LF32W500L60-MC	4
LF32W750-MC / LF32W750L60-MC	3
LF32W1000-MC / LF32W1000L60-MC	2